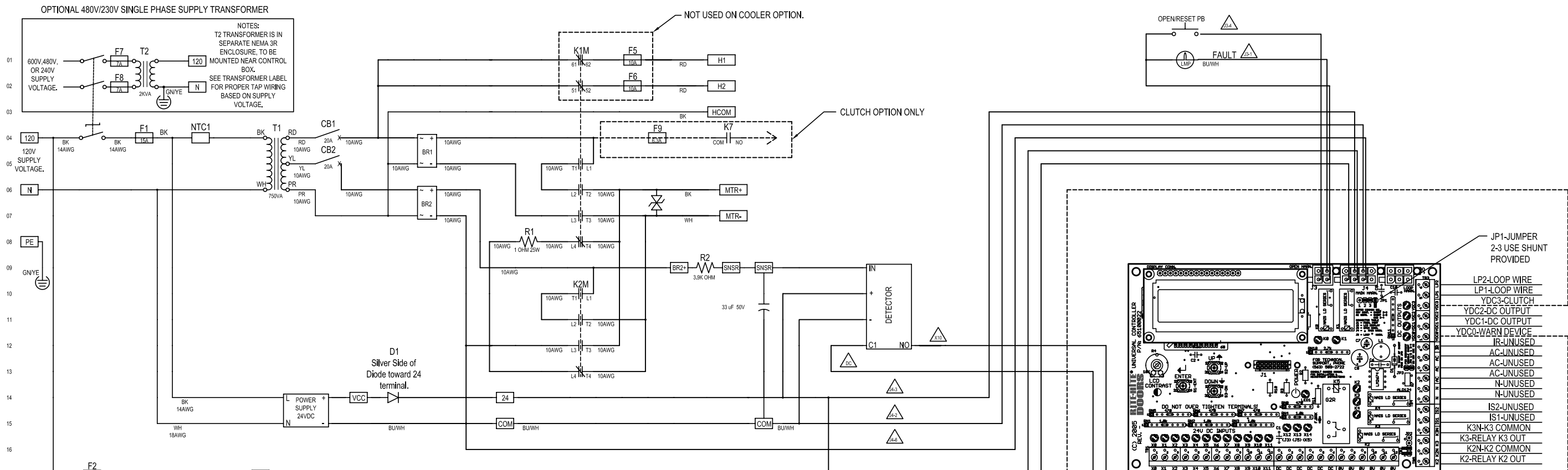


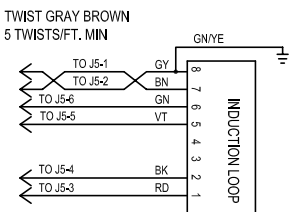
REVISION HISTORY				
REV	DESCRIPTION	ECN	DATE	BY / APPROVED
A	ADD CIRCUIT BREAKERS	5034	5/8/2006	RPB
B	ADD NTC SURGE SUPPRESSOR	5367	5/8/2007	RPB



BRANCH CIRCUIT PROTECTION			
NOTE: BRANCH CIRCUIT PROTECTION MUST BE SUPPLIED BY THE END USER AND COMPLY WITH ALL NATIONAL AND LOCAL ELECTRICAL CODES. SIZING FOR PROTECTIVE DEVICES MAY BE BASED ON INTERMITTENT DUTY.			
MODEL	VOLTAGE	MOTOR F.L.A.	SERVICE AMPS
7100	120 - 1 PH.	20.2A@ 24 VDC	20

FUSING		
VOLTAGE	DEVICE	RATING
120 VAC	F1	15A KLD R
120 VAC	F2	10A LPCC
30 VAC	CB1	20A
15 VAC	CB2	20A
30 VAC	F5	10A 3AG
30 VAC	F6	10A 3AG
600VAC	F7	6A KLD R
480VAC		7A KLD R
240VAC		15A KLD R
600VAC	F8	6A KLD R
480VAC		7A KLD R
240VAC		15A KLD R
30 VAC	F9	6.25A 3AG

CONNECTOR TABLE			
THIS TABLE SHOWS THE FUNCTION OF EACH OF THE CONNECTORS ON THE UNIVERSAL CONTROLLER. THE VOLTAGES LISTED FOR EACH PIN ASSUME THAT EITHER THE INPUT OR OUTPUT IS ACTIVATED.			
CONN.	PIN #	FUNCTION	VOLTAGE
J3	1	FLASHING LAMP OUT	0 VDC
	2	UNUSED	
	3	DC POWER OUT	24 VDC
	4	RESET INPUT (X12)	24 VDC
J4	1	UNUSED	
	2	DC COMMON INPUT	0 VDC
	3	DC POWER INPUT	24 VDC
	4	UNUSED	
	5	UNUSED	
	6	OPEN/CLOSE COMMON	0 VDC
	7	CLOSE OUTPUT (K1)	0 VDC
	8	OPEN OUTPUT (K0)	0 VDC
J5	1	LOOP INPUT 2	
	2	LOOP INPUT 1	
	3	DC POWER OUT	24 VDC
	4	DC COMMON OUT	24 VDC
	5	DC POWER OUT	24 VDC
	6	LOOP INPUT (X13)	24 VDC



- (K1N) RUN OPEN BU/WH
- (K2N) RUN CLOSE BU/WH
- (K7) CLUTCH (OPTIONAL) BU/WH
- (K6) WARNING DEVICE OPTION BU/WH

ALL WIRES 18 AWG BLUE UNLESS NOTED OTHERWISE

INCH TOLERANCES		DO NOT SCALE DRAWING	
OVER	UP TO	MM-DD-YY	
0.125	0.125	10/31/2005	
0.25	0.25		
0.25	1.25	DRAWN BY	RPB
1.25	5	CHECKED BY	
5	15	APPROVED BY	
15	40	DATE	
40	80	DATE	
80	-	DATE	
ANGLES	± 1 DEG	INITIAL ECN	4994
FINISH		DATE ISSUED	2/20/2006
REF			

SCOPE: THIS DRAWING COVERS DOORS CONFIGURED AFTER 2-20-006

VERIFY THAT THIS DRAWING HAS NOT BEEN SUPERCEDED BY NEWER REVISION. ABOVE APPLIES ONLY WHEN DRAWING IS CURRENT.

PRIOR: 8810-E-001 REV. D

©2005 RITE-HITE DOORS INC.

ITEM	QTY	PART NO.	DESCRIPTION
PARTS LIST / MATERIAL			
RITE-HITE DOORS INC.			
TITLE			BARRIER GLIDER WIRING DIAGRAM
i-COMM			
SIZE	MODEL NUMBER	DWG NO	REV
D	7100	8810E020	B
SCALE	8"=1"	PART #	1741.XXXX
SHEET			

NEXT ASSEMBLY

REVISION HISTORY

REV	DESCRIPTION	ECN	DATE	BY	APPROVED

FIELD WIRING

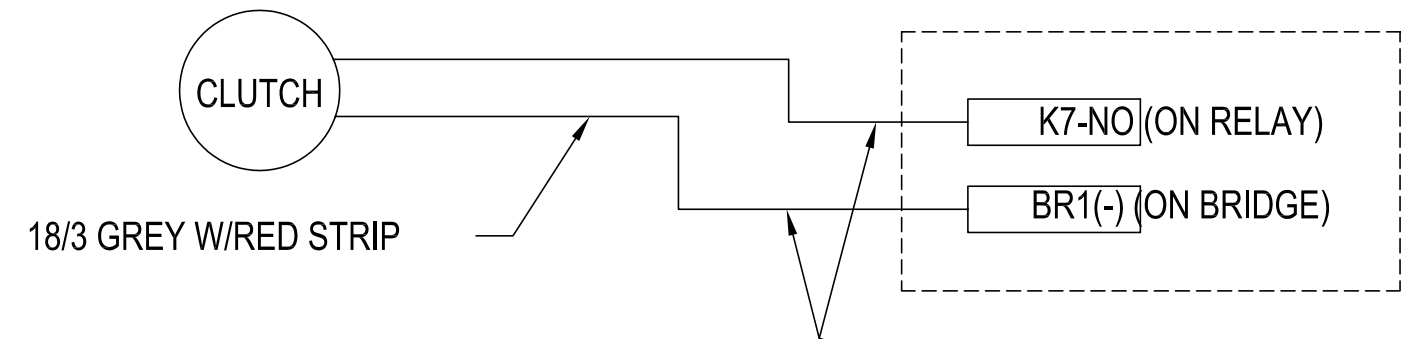
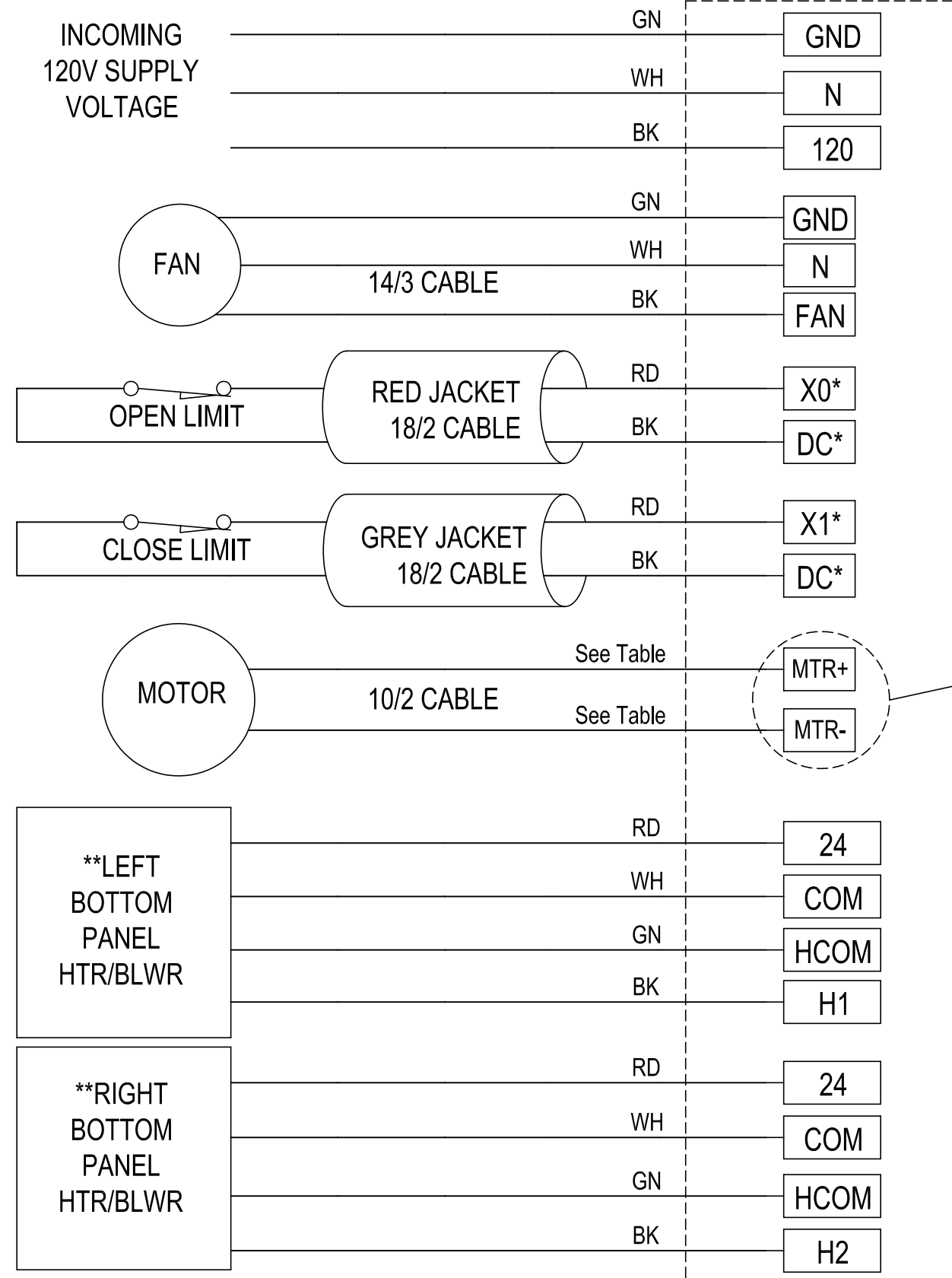
CONTROL BOX

* NOTE: TERMINALS MARKED WITH AN (*) ARE LOACTED ON THE i-COMM CONTROLLER.

OPTIONAL CLUTCH

B

B



MOTOR WIRES		
DOOR TYPE	MTR+	MTR-
BP - Right Hand Motor	White	Black
BP - Left Hand Motor	Black	White
SS - RHM / LHO	Black	White
SS - LHM / RHO	Black	White
SS - RHM / RHO	White	Black
SS - LHM / LHO	Black	White

USE TERMINAL PROVIDED FOR CONNECTION OF CLUTCH
GN/YE NOT USED

**Only one fan required on Single Slide
**NO FANS REQUIRED ON COOLER MODEL OPTION.

BP = Bi-Parting
SS = Single Slide
RHM/LHM = Right/Left Hand Motor
LHO/RHO = Left/Right Hand Open

A

A

ITEM	QTY	PART NO.	DESCRIPTION
PARTS LIST / MATERIAL			

INCH TOLERANCES			DO NOT SCALE DRAWING	
OVER	UP TO	+ / -	DATE	MM-DD-YY
0	0.125	0.005	DRAWN BY	RPB
0.125	0.25	0.010	DATE	1/9/2006
0.25	1.25	0.020	CHECKED BY	
1.25	5	0.030	APPROVED BY	
5	15	0.040	INITIAL ECN	4994
15	40	0.060	DATE ISSUED	2/20/2006
40	80	0.100	REF	
80	-	0.125		

RITE-HITE[®] DOORS INC.

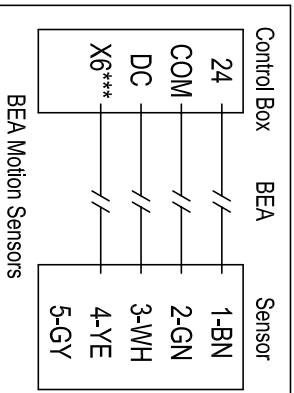
TITLE: **BARRIER GLIDER MANDATORY FIELD WIRING DIAGRAM i-COMM**

SIZE: **B** MODEL NUMBER: **7100** DWG NO: **8810E022** REV:

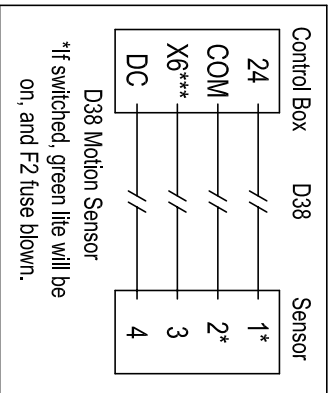
SCALE: **1"=1"** PART #: SHEET:

NEXT ASSEMBLY

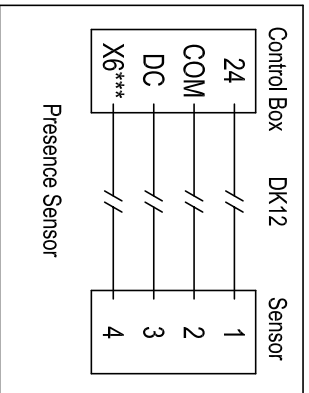
**BEA - Falcon,
IS-87, EagleHM**



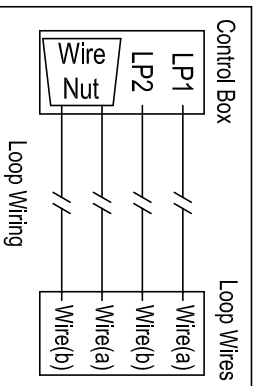
MS Sedco - D38



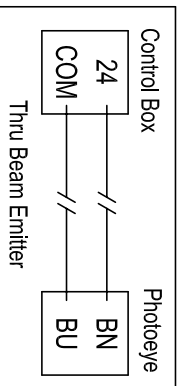
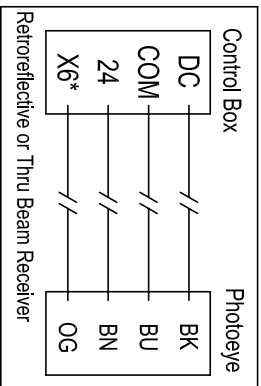
BEA - DK-12



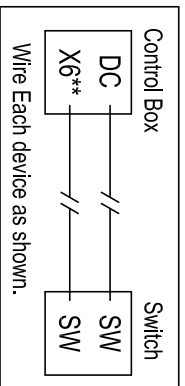
INDUCTION LOOP



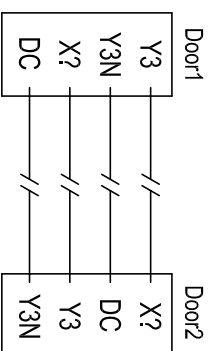
PHOTOEYES



**PUSHBUTTONS
& PULL-CORDS**

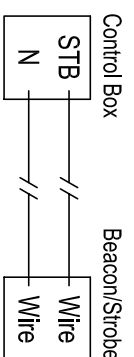


INTERLOCK

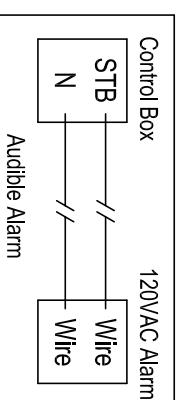


Note: Consult i-COMM manual to see which inputs can be assigned Interlock in function. Connect Y3 to whichever input is selected to become interlock in. No other devices should be connected to this input. Terminal must be assigned to Interlock through i-COMM menu on both doors. (i.e. If X3 is to be assigned a function of Interlock Input, the menu ("Input Func X3") should be set to a value of "0") Output K3 should remain at the default setting of "0" on both doors.

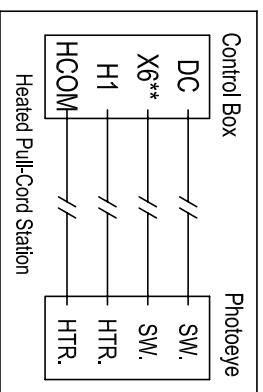
STROBES & ALARMS



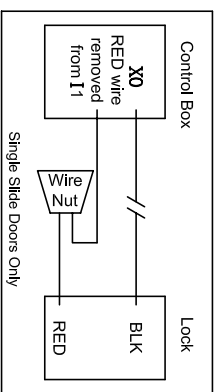
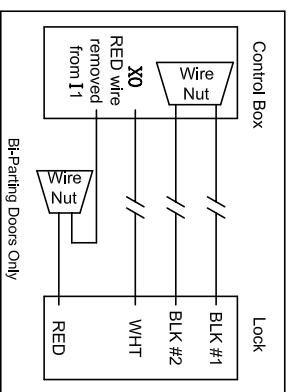
Warning Device Beacon/Strobe
Additional Relay Required
120VAC U.L. Listed .30 Amp Max



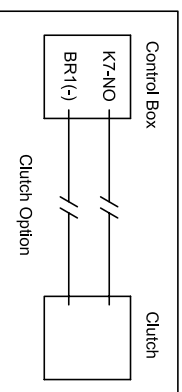
**HEATED PULL
CORDS**



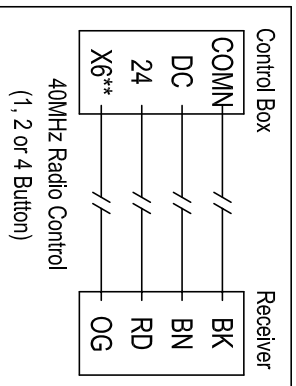
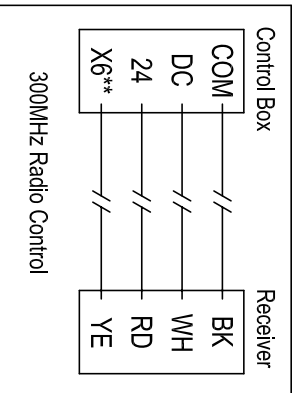
LOCKS



CLUTCH



RADIO CONTROLS



REVISION HISTORY				
REV	DESCRIPTION	ECN	DATE	BY
A	CORRECT PHOTOEYE WIRING	5252	12/19/2006	LIP

NOTES:

THIS DRAWING ASSUMES INPUT FUNCTIONS ARE SET TO FACTORY DEFAULTS.
CONSULT I-COMM MANUAL FOR DETAILS
WARNING: NEVER CONNECT MOTION SENSORS TO A TOGGLE INPUT

Terminals "X6", "X7" are automatic reclose.
Terminals "DC" are DC common for inputs.

*Terminal X7 is a default
**For true toggle operation use terminal "X5".
(Pull cords, push button or radio controls only.)
***For Reverse hold open connect sensors to UNUSED input.
(i.e. X2 (not available for PRO System), X3, X6, or X7 and assign that input a function of "6" in the i-COMM menu. Multiple sensors can be connected in parallel.

Consult i-COMM manual for additional instructions.

ITEM	QTY	PART NO.	DESCRIPTION
PARTS LIST / MATERIAL			

**RITE-HITE®
DOORS INC.**

**BARRIER GLIDER
ACTIVATION WIRING DIAGRAM**

i-COMM

INCH TOLERANCES		DO NOT SCALE DRAWING	
OVER	UP TO	+	-
0	0.125	0.005	
0.125	0.25	0.010	
0.25	1.25	0.020	
1.25	5	0.030	
5	15	0.040	
15	40	0.060	
40	80	0.100	
80	-	0.125	

DATE ISSUED	4994
DATE ISSUED	2/20/2006

SIZE	MODEL NUMBER	DWG NO	REV
B	7100	8810E023	A
SCALE	8"=1'	PART #	SHEET
			A