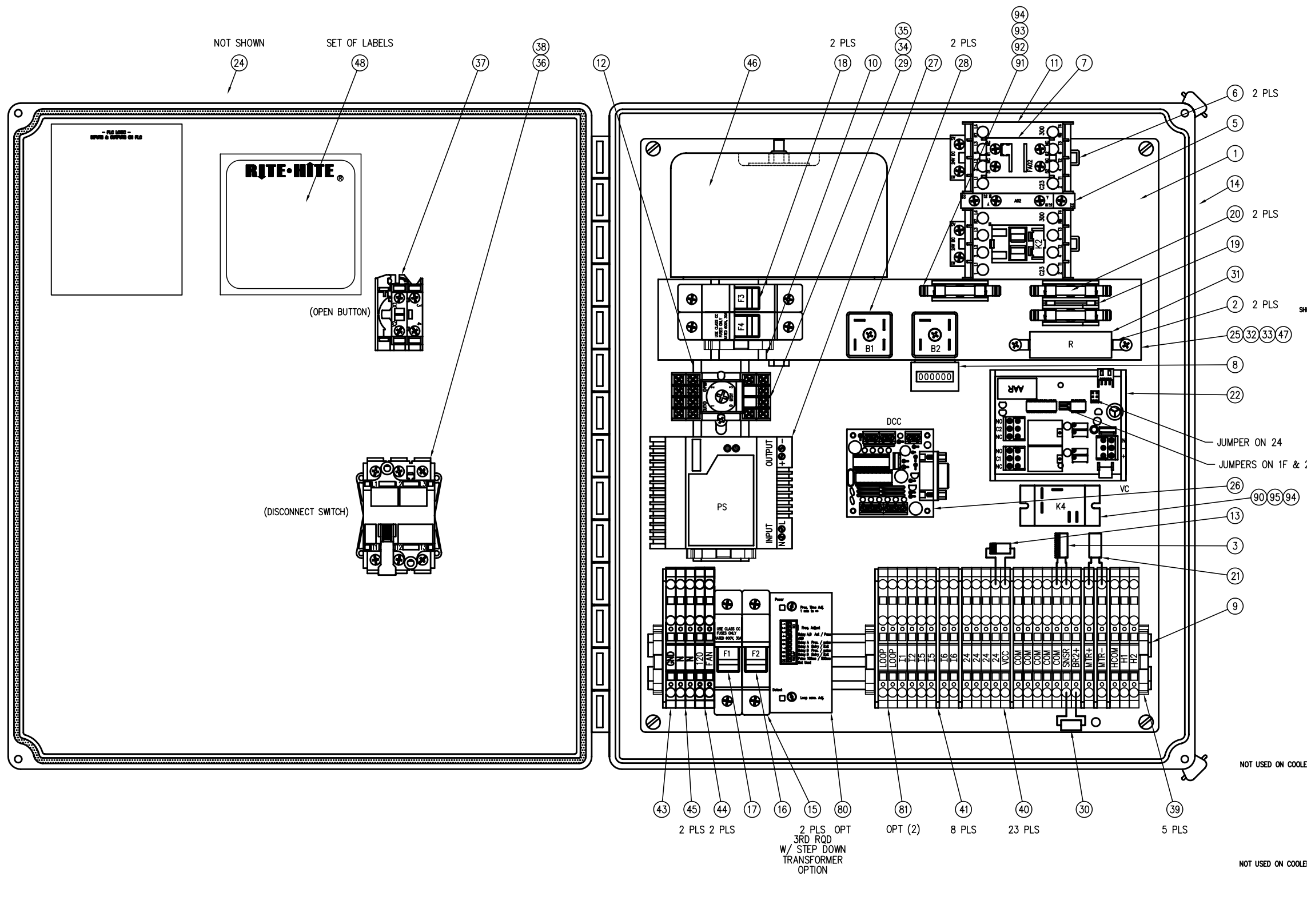


REVISION HISTORY					
REV	DESCRIPTION	ECN	DATE	BY	APPROVED
D	ADD CLUTCH RELAY	4839	9/8/2005	RPB	
B	CHANGE BRIDGE	4589	9/17/2004	LIP	
C	ADDED COOLER OPTION NOTE	4717	7/19/2005	DJS	



(18)
NOTE:
ATTACH EXTRA
25CCMR FUSE
INSIDE ENCLOSURE

RADIO CONTROL OPTION

REV	QTY	PART NO.	DESCRIPTION
95	2	16960066	CONN.SPADE,3/16,18AWG
94	5	16960065	CONN.SPADE,1/4,18AWG
93	2	16960064	CONN,1/4",SPADE,10-12AWG,PBGDY
92	1	73750018	FUSE,6.25AMP,250V,3AG,TIME DLY
91	1	73750015	FUSE HOLDER,GLASS,1POLE
90	1	66450032	RLY,SPDT,2VDC,BASE MNT

INDUCTION LOOP OPTION

REV	QTY	PART NO.	DESCRIPTION
81	2	73100056	TERMINAL,CAGE,30A,3 CLAMP,BLUE
80	1	17500010	CTRL,IND LOOP,DUAL,12/24V

RADIO CONTROL OPTION

REV	QTY	PART NO.	DESCRIPTION
73	A/R	73750019	TRANS,HED1,318,28IN,1FM*2CH
72	A/R	73750018	TRANS,HED1,318,38IN,1FM*2CH
71	A/R	73750015	TRANS,HED1,318,18IN,1FM*1CH
70	A/R	66250016	RCVR,HED1,318,24V,4WR,1FM,1CH

STEP-DOWN TRANSFORMER OPTION

REV	QTY	PART NO.	DESCRIPTION
65	(1)	73550024	XFMR,2.0KVA,480/240-240/120 (480V & 240V ONLY)
64	(1)	73550017	XFMR,2.0KVA,600-240/120 (600V ONLY)
63	(2)	51000055	FUSE,6A,600V,CC,KLDR (600V ONLY)
62	(2)	51000051	FUSE,15AMP,600V,CC,KLDR (230V ONLY)
61	(2)	51000047	FUSE,7A,600V,CC,KLDR (480V ONLY)
60	1	51000053	FUSE HOLDER,2POLE,600V,30A

STANDARD CONTROL BOX PARTS

ITEM	QTY	PART NO.	DESCRIPTION
48	1	53850485	LABEL,SET 7100,ELECTRICAL
47	1	73870032	TUBE,INT,CONTROL BOX RELAY
46	1	73550021	XFMR,750/375VA,120-30/15
45	2	73100061	TERMINAL,CAGE,30A,3 CLAMP,WHITE
44	2	73100060	TERMINAL,CAGE,30A,3 CLAMP,BLACK
43	1	73100059	TERMINAL,CAGE,30A,3 CLAMP,GND
42	2	73100058	TERMINAL,CAGE,30A,1P JUMP
41	8	73100057	TERMINAL,CAGE,30A,QUAD BARRIER
40	23	73100056	TERMINAL,CAGE,30A,3 CLAMP,BLUE
39	5	73100024	TERMINAL,END STOP,SCREWLESS
38	1	72700153	SW,DPRT,DISCONNECT,22.5MM
37	1	72700107	SW,PE,FLASHING LED,GRN
36	1	72700007	SW,POWER DISCONNECT
35	1	70350013	SKT,RLY,2POLE,DEC,SPRING CLP
34	1	70350012	SKT,RLY,2POLE,DEC
33	1	67860108	SCR,HHMS,1/4X5-1/2
32	2	67860002	SCR,HHMS,1/4-20X1/2,2ZNC
31	1	66550012	RESISTOR,10HM,25WATT
30	1	66550011	RESISTOR,3.9KOHM,1WATT
29	1	66450027	RLY,TRNG,ON DELAY,2VDC,DPDT
28	2	66270007	RECTIFIER,BRIDGE,50A,200V
27	1	65700004	POWER SUPPLY,DIN,24VDC,48W
26	1	65100020	DCC,TRLOG,10/0,24DC
25	3	55610001	NUT,HEX,NYL, LOCK,1/4-20,ZNC
24	1	53850446	LABEL,CBOX,CVR,7100
23	1	52000026	WHR,WIRE KIT,CBOX,7100
22	1	51950055	VOLTAGE COMPARTOR
21	1	51950054	SURGE ABSORBER,82V,6500A
20	2	51000054	FUSE,10A,32V,3AG
19	1	51000053	FUSE HOLDER,GLASS,2POLE
18	3	51000052	FUSE,25AMP,600V,CCMR
17	1	51000051	FUSE,15AMP,600V,CCMR
16	1	51000011	FUSE,15AMP,600V,CC,TIME DELAY
15	2	51000003	FUSE HOLDER,2POLE,600V,30A
14	1	43750051	ENCL,MACH,CBOX,FBRGLS,8400
13	1	38150001	DIODE,3AMP
12	1	38120030	DIN RAILLOW-PROFILE,5"
11	1	38120029	DIN RAILLOW-PROFILE,3.5"
10	1	38120021	DIN RAILLOW-PROFILE,2"
9	1	38120019	DIN RAILLOW-PROFILE,1.2-1/2"
8	1	17600022	COUNTER,MECHANICAL,DC
7	1	17000025	CHTOR,AUXILIARY,2NC,MCS
6	2	17000024	CHTOR,24VDC,23AMP,3NO,1NC
5	1	17000010	CHTOR,INTERLOCK,MCS
4	1	16960064	CONN,1/4"-10-12AWG,SPADE,PBGDY
3	1	16250003	CAP,ELECTROLYTC,33UF,20K,50V
2	2	14500025	BRKT,RESISTOR CLIP
1	1	12200082	BACKPANEL,7100

NOT USED ON COOLER OPTION

NOT USED ON COOLER OPTION

INCH TOLERANCES		DO NOT SCALE DRAWING	
OVER	UP TO	+	-
0	0.125	0.005	
0.125	0.25	0.010	
0.25	1.25	0.020	
1.25	5	0.030	
5	15	0.040	
15	40	0.080	
40	80	0.100	
80		0.125	

PARTS LIST / MATERIAL		RITE-HITE DOORS INC.	
DRAWN BY CDH		DATE 10/13/2003	
CHECKED BY		DATE	
APPROVED BY		DATE	
INITIAL ECN 4432		SIZE MODEL NUMBER D 7100	
DATE ISSUED 5/17/2004		DWG NO 8810E004	
REF		SHEET 1 of 1	

©2003 RITE-HITE DOORS INC.
CONFIDENTIAL
THIS DOCUMENT IS THE PROPERTY OF RITE-HITE DOORS INC. SUBJECT MATTER HEREIN IS CONFIDENTIAL. DO NOT USE, REPRODUCE, COPY OR DISCLOSE WITHOUT WRITTEN CONSENT OF RITE-HITE DOORS INC.

4

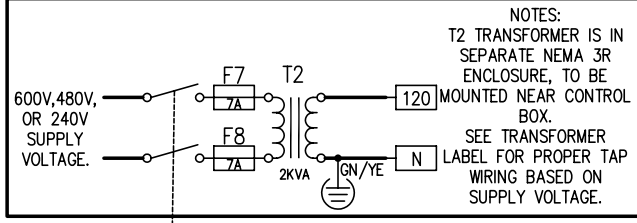
3

2

1

NEXT ASSEMBLY

OPTIONAL 480V/230V SINGLE PHASE SUPPLY TRANSFORMER



NOT USED ON COOLER OPTION.

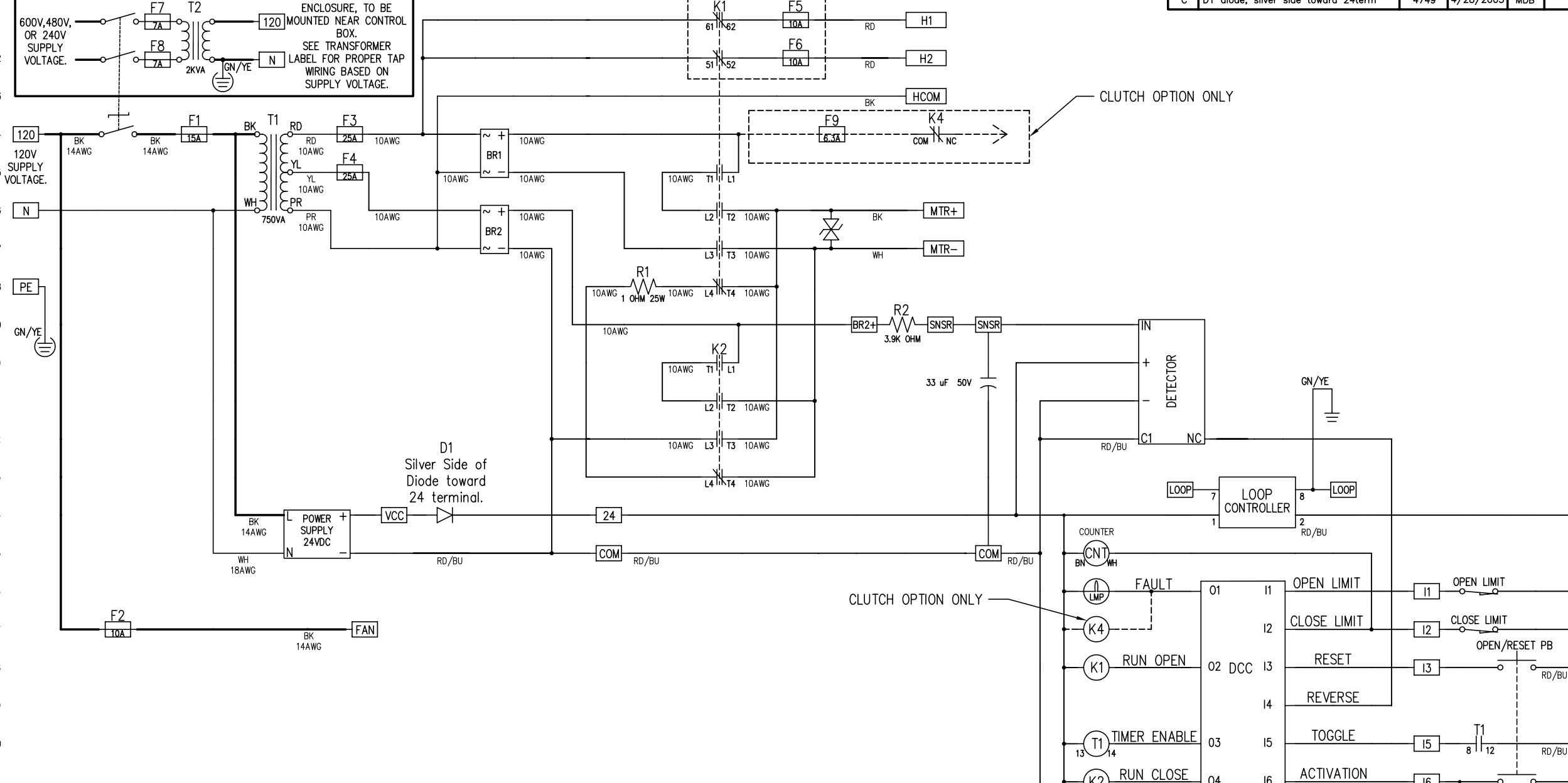
CLUTCH OPTION ONLY

CLUTCH OPTION ONLY

REVISION HISTORY					
REV	DESCRIPTION	ECN	DATE	BY	APPROVED
D	ADD CLUTCH RELAY	4839	9/8/2005	RPB	
B	UPDATE PRINT FOR COOLER OPTION	4717	4/1/2005	JTD	
C	D1 diode, silver side toward 24term	4749	4/28/2005	MDB	

D
01
02
03
04
05
06
07
08
09
10
11
12
13
14
15
16
17
18
19
20
C
B
A

D
C
B
A



BRANCH CIRCUIT PROTECTION			
NOTE: BRANCH CIRCUIT PROTECTION MUST BE SUPPLIED BY THE END USER AND COMPLY WITH ALL NATIONAL AND LOCAL ELECTRICAL CODES. SIZING FOR PROTECTIVE DEVICES MAY BE BASED ON INTERMITTENT DUTY.			
MODEL	VOLTAGE	MOTOR F.L.A.	SERVICE AMPS
7100	120 - 1 PH.	20.2A@ 24 VDC	20

FUSING		
VOLTAGE	DEVICE	RATING
120 VAC	F1	15A KLDR
120 VAC	F2	10A LPCC
30 VAC	F3	25A CCMR
15 VAC	F4	25A CCMR
30 VAC	F5	10A 3AG
30 VAC	F6	10A 3AG
600VAC	F7	6A KLDR
480VAC		7A KLDR
240VAC		15A KLDR
600VAC	F8	6A KLDR
480VAC		7A KLDR
240VAC		15A KLDR
30 VAC	F9	6.25A 3AG

ALL WIRES 18 AWG BLUE UNLESS NOTED OTHERWISE

INCH TOLERANCES		DO NOT SCALE DRAWING	
OVER	UP TO	+	-
0	0.125	0.005	
0.125	0.25	0.010	
0.25	1.25	0.020	
1.25	5	0.030	
5	15	0.040	
15	40	0.060	
40	80	0.100	
80	-	0.125	

DATE ISSUED 5/17/2004

SCALE 8"=1'

SIZE C

MODEL NUMBER 7100

DWG NO 8810E001

REV D

DATE 3/7/2003

MM-DD-YY

DRAWN BY

CHECKED BY

APPROVED BY

INITIAL ECN 4432

SCALE 8"=1'

PART # 17250187

SHEET 1 of 1

4

3

2

1

REV 3
SHEET 1 of 1
DWG NO 8810E001

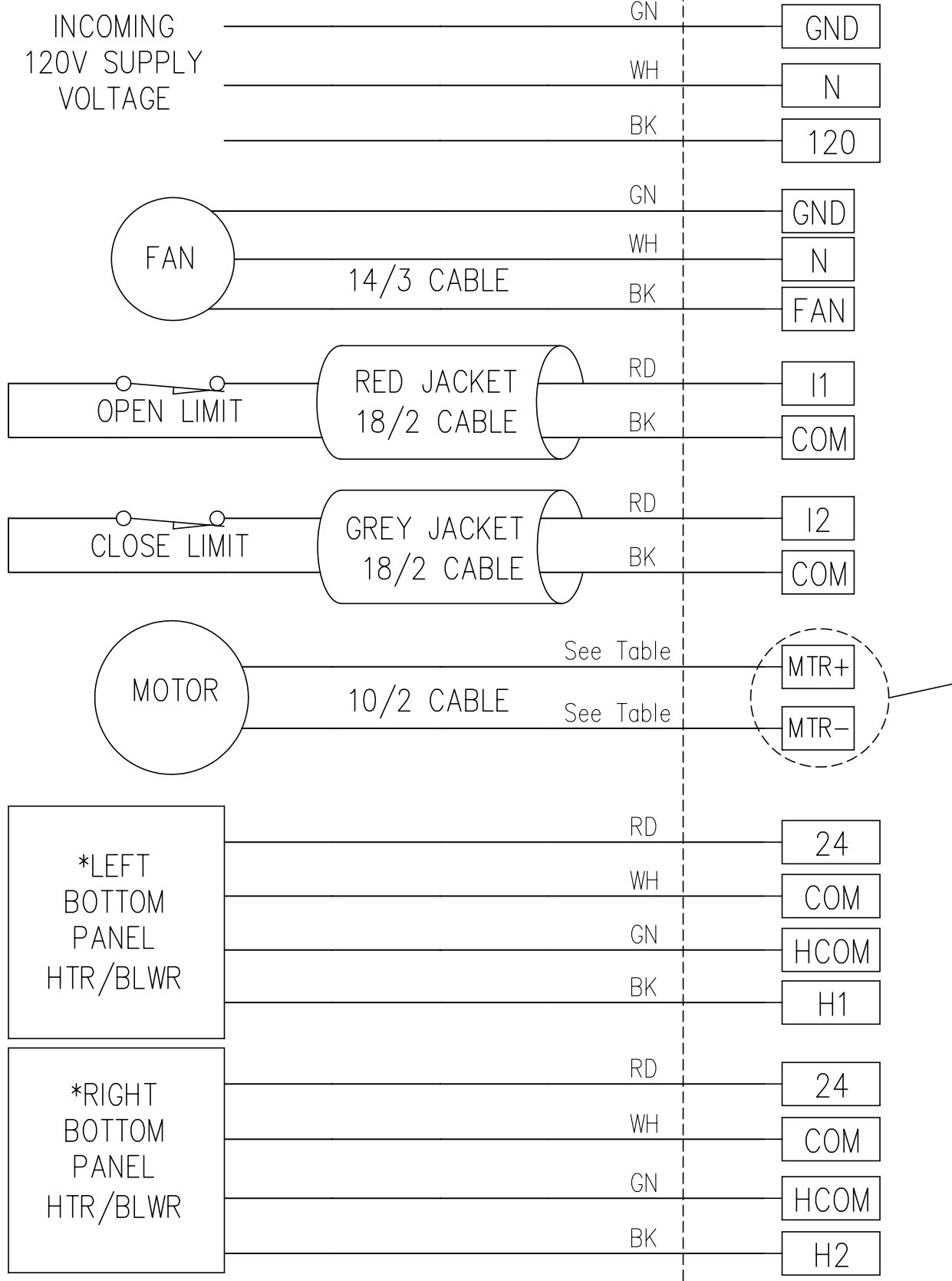
NEXT ASSEMBLY

REVISION HISTORY

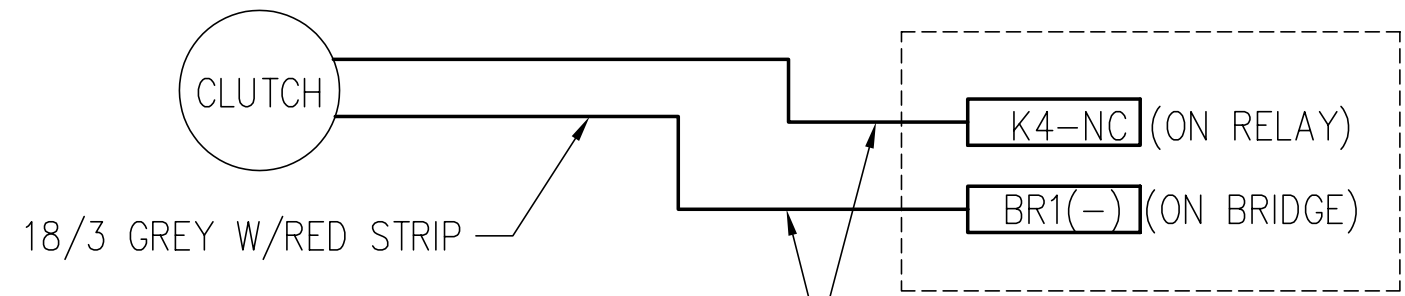
REV	DESCRIPTION	ECN	DATE	BY	APPROVED
D	ADD OPTIONAL CLUTCH WIRING INFO	4690	2/28/2005	JTD	
E	UPDATE PRINT FOR COOLER OPTION	4717	4/1/2005	JTD	
F	ADD CLUTCH RELAY	4839	9/8/2005	RPB	

FIELD WIRING

CONTROL BOX



OPTIONAL CLUTCH



DOOR TYPE	MTR+	MTR-
BP - Right Hand Motor	White	Black
BP - Left Hand Motor	Black	White
SS - RHM / LHO	Black	White
SS - LHM / RHO	Black	White
SS - RHM / RHO	White	Black
SS - LHM / LHO	Black	White

USE TERMINAL PROVIDED FOR CONNECTION OF CLUTCH

GN/YE NOT USED

*Only one fan required on Single Slide

*NO FANS REQUIRED ON COOLER MODEL OPTION.

BP = Bi-Parting
 SS = Single Slide
 RHM/LHM = Right/Left Hand Motor
 LHO/RHO = Left/Right Hand Open

ITEM	QTY	PART NO.	DESCRIPTION
PARTS LIST / MATERIAL			

INCH TOLERANCES			DO NOT SCALE DRAWING	
OVER	UP TO	+ / -	DATE	MM-DD-YY
0	0.125	0.005	DRAWN BY	3/15/2004
0.125	0.25	0.010	CHECKED BY	DATE
0.25	1.25	0.020	APPROVED BY	DATE
1.25	5	0.030	INITIAL ECN	4432
5	15	0.040	DATE ISSUED	5/17/2004
15	40	0.060	REF	
40	80	0.100		
80	-	0.125		
ANGLES +/- 1 DEG				
FINISH				

RITE-HITE[®]
DOORS INC.

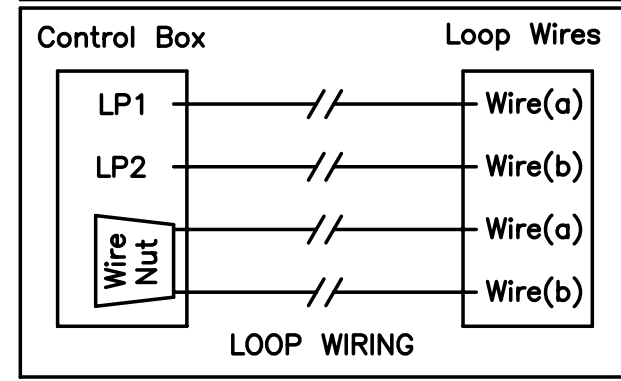
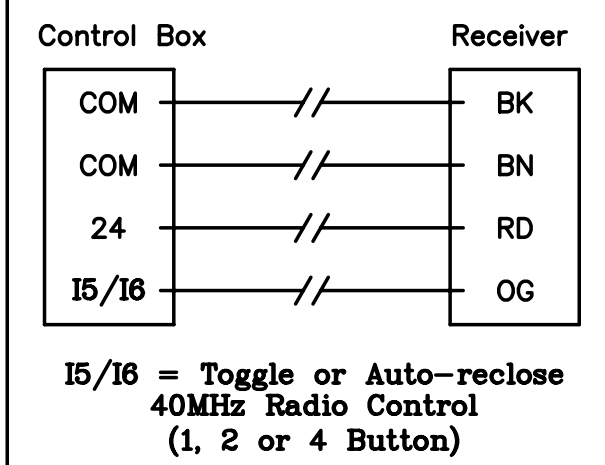
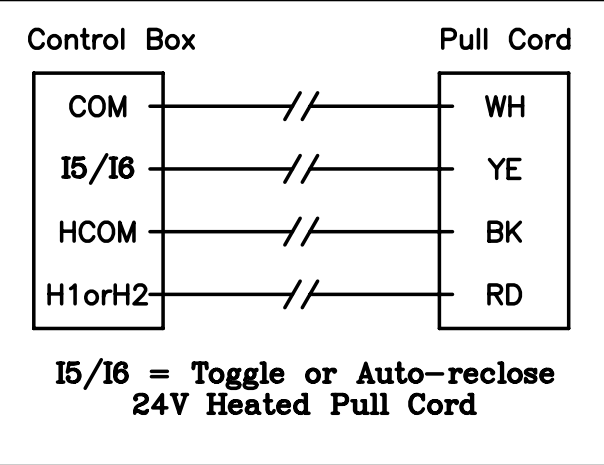
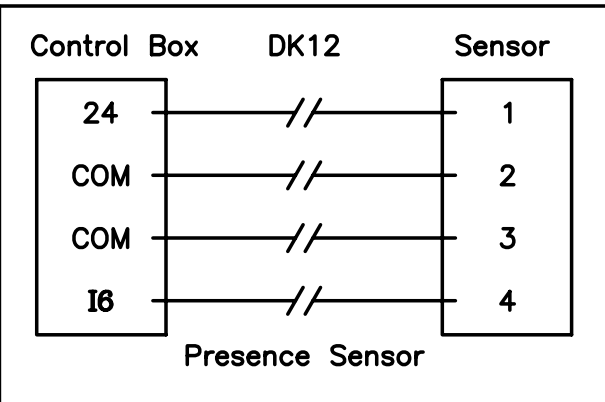
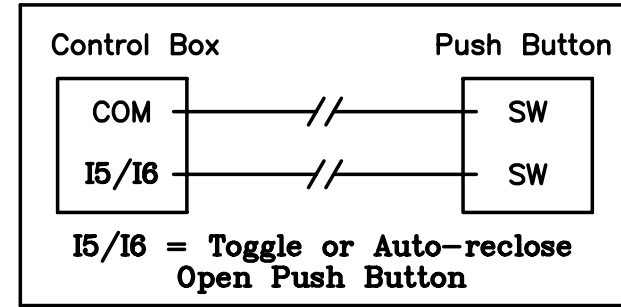
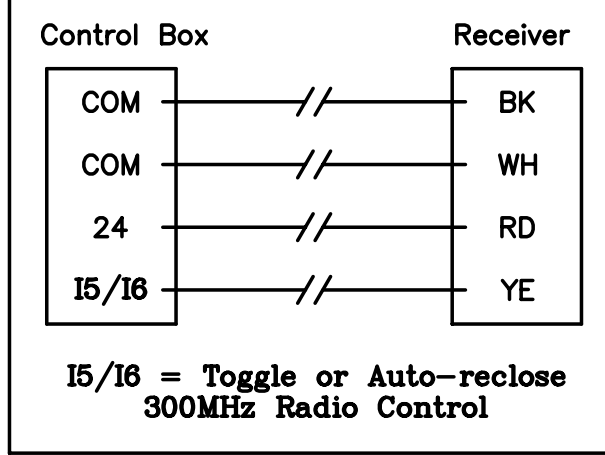
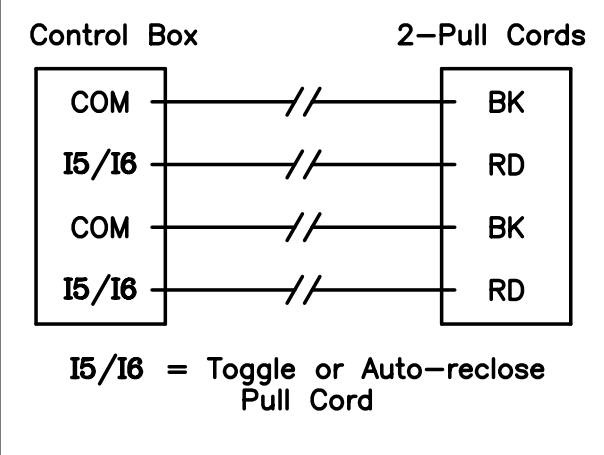
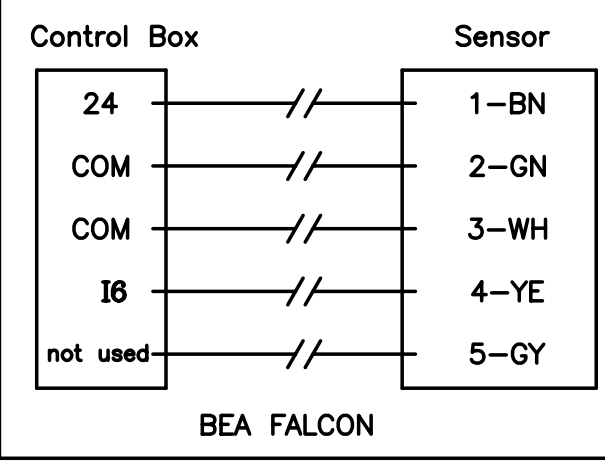
TITLE
BARRIER GLIDER
MANDATORY FIELD WIRING DIAGRAM

SIZE B	MODEL NUMBER 7100	DWG NO 8810E003	REV F
SCALE 1" = 1"	PART #	SHEET 1 of 1	

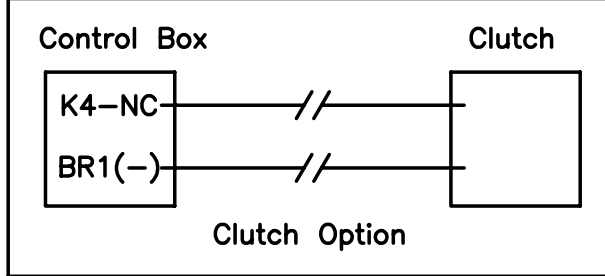
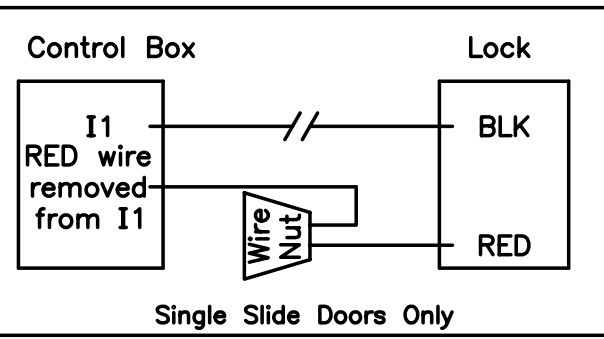
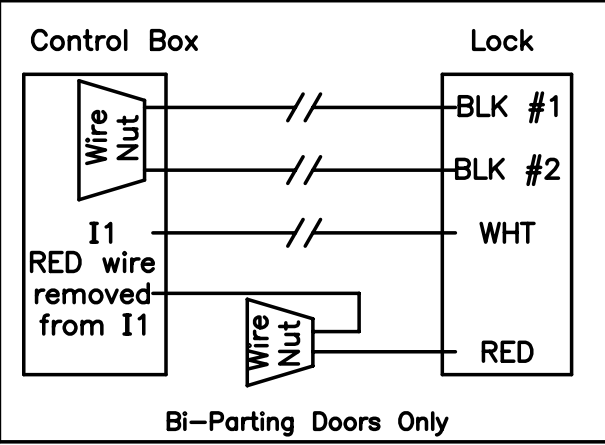
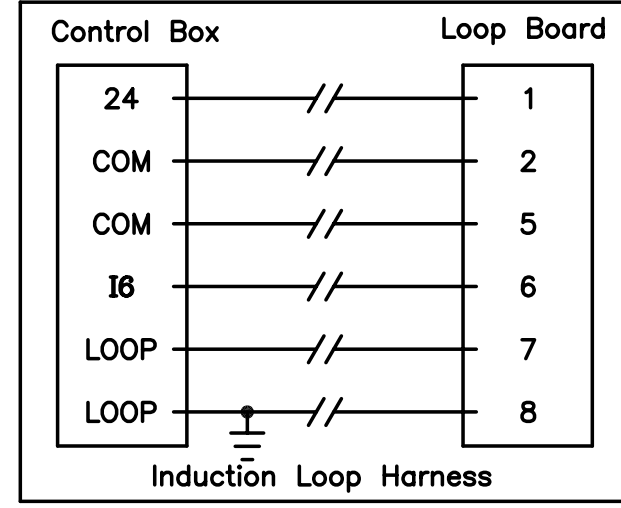
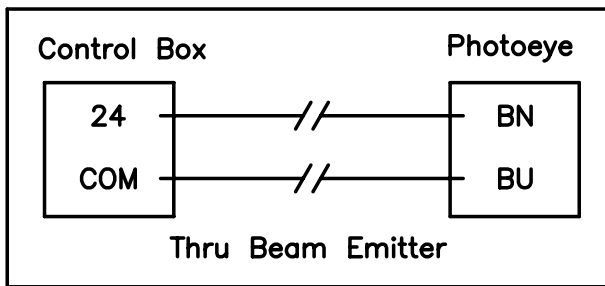
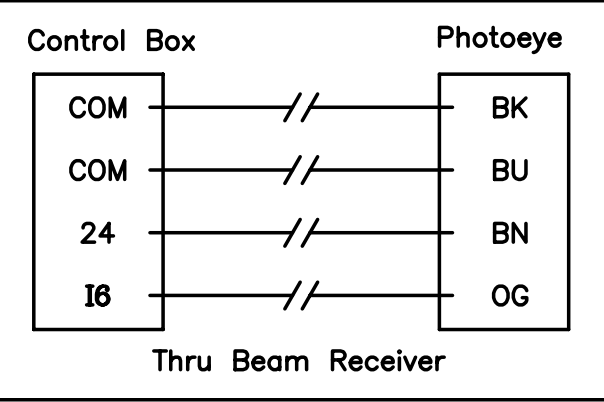
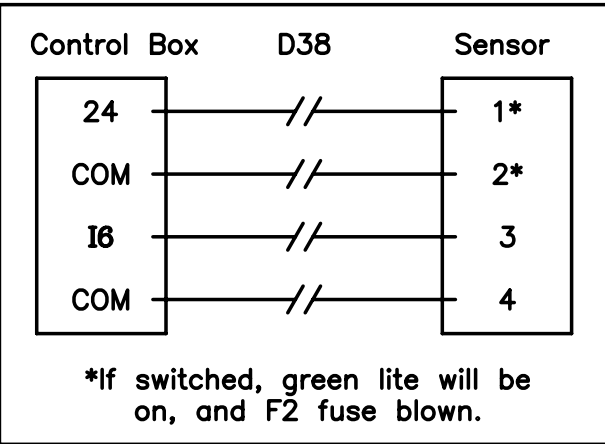
NEXT ASSEMBLY

REVISION HISTORY

REV	DESCRIPTION	ECN	DATE	BY	APPROVED
A	ADDED 2 LOCK WIRING DIAGRAMS	4675	1/13/2005	CDH	
B	ADD CLUTCH RELAY	4839	9/8/2005	RPB	



Note:
Terminal # 15 is toggle.
Terminal # 16 is automatic reclose.
Terminal # COM is common.
Terminal # is 24 24VDC.



ITEM	QTY	PART NO.	DESCRIPTION
PARTS LIST / MATERIAL			

INCH TOLERANCES			DO NOT SCALE DRAWING	
OVER	UP TO	+ / -	DATE	MM-DD-YY
0	0.125	0.005	3/15/2004	
0.125	0.25	0.010		
0.25	1.25	0.020		
1.25	5	0.030		
5	15	0.040		
15	40	0.060		
40	80	0.100		
80	-	0.125		
ANGLES +/- 1 DEG			INITIAL ECN	
FINISH			4432	
DATE ISSUED			5/17/2004	
REF				

RITE-HITE® DOORS INC.

TITLE: **BARRIER GLIDER ACTIVATION WIRING DIAGRAM**

SIZE: B MODEL NUMBER: 7100 DWG NO: 8810E002 REV: B

SCALE: 1" = 1" PART # SHEET 1 of 1