

4

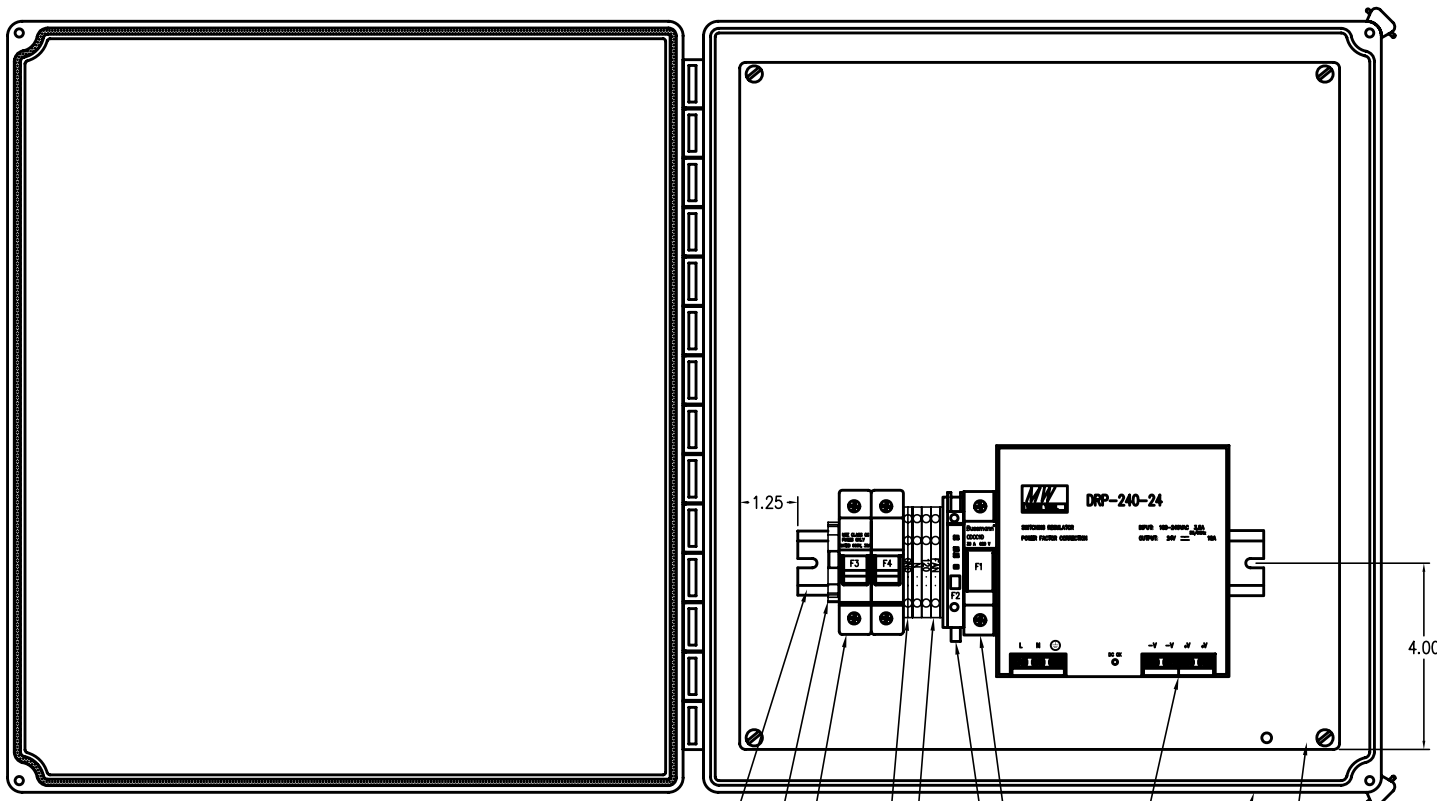
3

2

1

NEXT ASSEMBLY

REVISION HISTORY					
REV	DESCRIPTION	ECH	DATE	BY	APPROVED
A	ADD STEP DOWN XFMR	-	2/25/2005	LIP	
B	CHANGE PANEL & ENCL	4804	6/21/2005	LIP	
C	CHANGE TO WAGO TERMINALS	6569	7/12/2012	TAH	



LOCATE DIN RAIL AS SHOWN & FASTEN INTO PLACE USING SELF TAPPING SCREWS.

TRANSFORMER STEP DOWN OPTION ONLY

STEP-DOWN TRANSFORMER OPTION

16	(1)	73550024	-	XFMR,2.0KVA,480/240:240/120 (480V & 240V ONLY)
OR	(1)	73550017	-	XFMR,2.0KVA,600:240/120 (600V ONLY)
17	(2)	51000055	-	FUSE,6A,600V,CC,KLDR (600V ONLY)
OR	(2)	51000051	-	FUSE,15AMP,600V,KLDR (230V ONLY)
OR	(2)	51000047	-	FUSE,7A,600V,CC,KLDR (480V ONLY)
18	1	51000003	-	FUSE HOLDER,2POLE,600V,30A

ITEM	QTY	PART NO.	DWG. NO.	DESCRIPTION
15	2	67850015	-	SCREW, PHLP, DR/TP, #8 x 1/2" LONG
14	1	51000042	-	FUSE, 4A, FAST ACTING
13	1	51000033	-	FUSE, 10 AMP, 600V, CC, KLDR
12	1	38120023	-	DIN RAILLOW-PROFILE,10"
11	1	73100024	-	TERMINAL, END STOP, SCREWLESS
10	1	-	-	-
9	1	73100091	-	TERMINAL,W/CAGE,30A,3HOLE,GND
8	1	73100090	-	TERMINAL,W/CAGE,30A,3HOLE,BAR
7	3	73100089	-	TERMINAL,W/CAGE,30A,3HOLE
6	1	73100019	-	TERMINAL, END BARRIER, SINGLE TIER
5	1	51000004	-	FUSE HOLDER, 1 POLE, 300V, 12A
4	1	51000019	-	FUSE HOLDER, 1 POLE, 600V, 30A
3	1	65700005	-	POWER SUPPLY, DIN, 24VDC, 240W
2	1	43750013	-	ENCL,FBRGLS,16X14X8
1	1	12200009	-	BACKPANEL,16X14

INCH TOLERANCES			DO NOT SCALE DRAWING	
OVER	UP TO	+ / -	DATE	MM-DD-YY
0	0.125	0.005	10/5/2004	
0.125	0.25	0.010		
0.25	1.25	0.020		
1.25	5	0.030		
5	15	0.040		
15	40	0.060		
40	80	0.100		
80	-	0.125		

**RITE-HITE DOORS INC.**

CONTROL BOX LAYOUT  
MANUAL VERSION, 7100

DATE ISSUED 1/13/2005

SCALE 6"=1' PART # 1737.\* SHEET C

©2005 RITE-HITE DOORS INC.  
**CONFIDENTIAL**  
THIS DOCUMENT IS THE PROPERTY OF RITE-HITE DOORS INC. SUBJECT MATTER HEREIN IS CONFIDENTIAL. DO NOT USE, REPRODUCE, COPY OR DISCLOSE EXCEPT WITH WRITTEN CONSENT OF RITE-HITE DOORS INC.

4

3

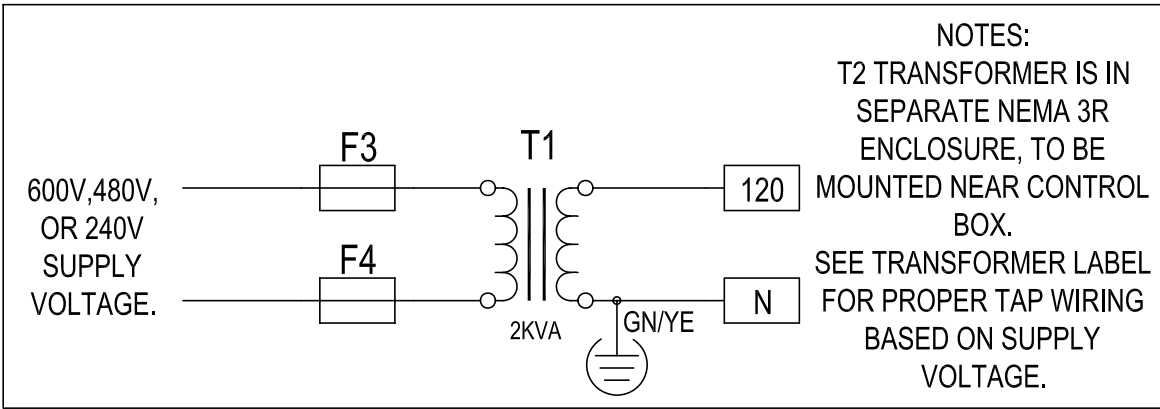
2

1

REV C SHEET 8810E009 DWG NO

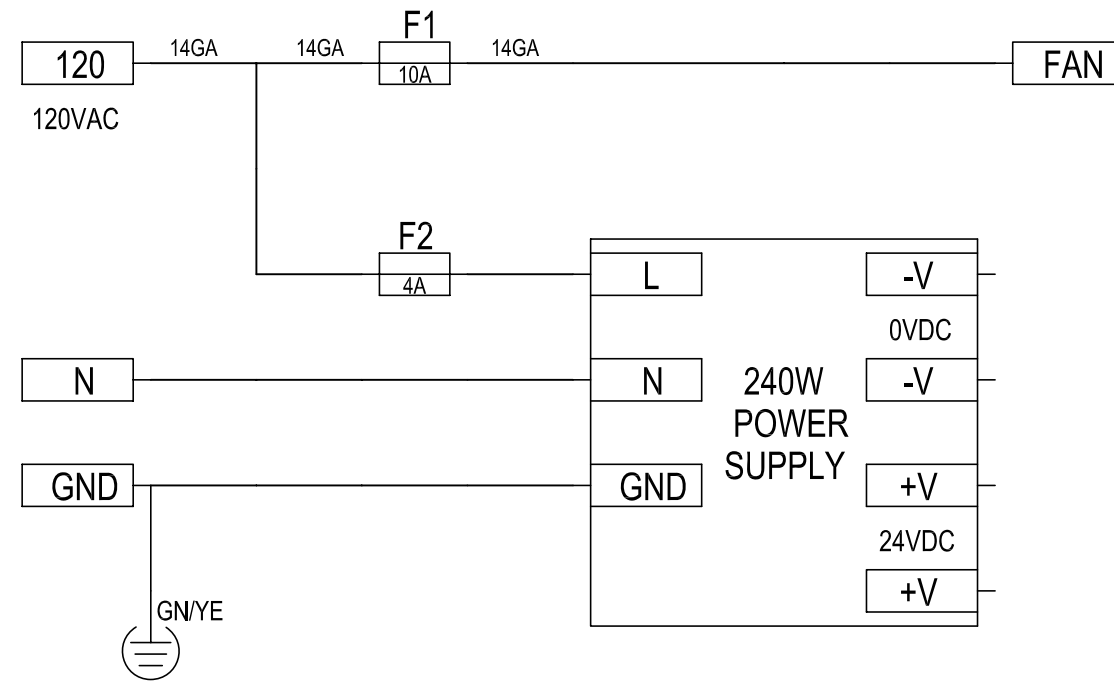
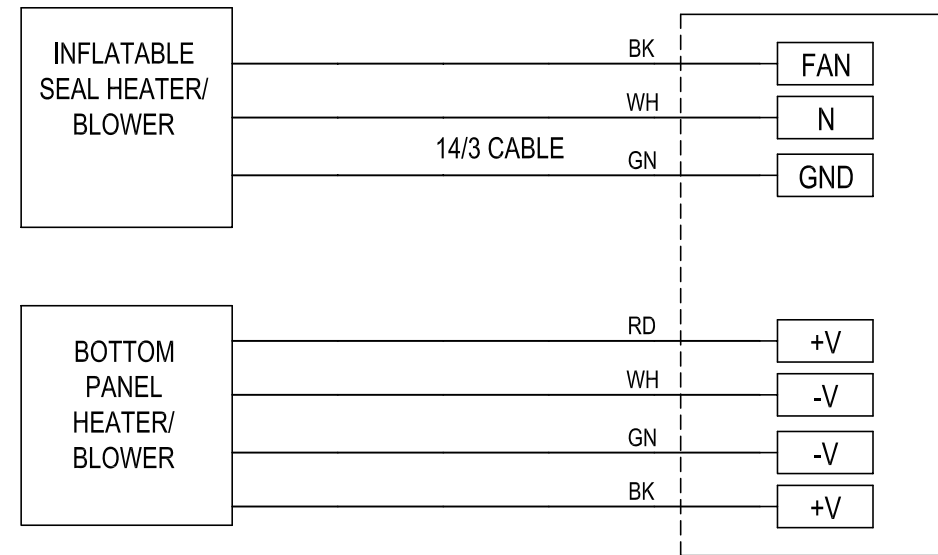
NEXT ASSEMBLY

### OPTIONAL 600/480/230V SINGLE PHASE SUPPLY TRANSFORMER



REVISION HISTORY					
REV	DESCRIPTION	ECN	DATE	BY	APPROVED
A	ADD STEP DOWN XFMR	-	2/25/2005	LIP	

### FIELD WIRING



ALL WIRES 18 AWG BLACK UNLESS NOTED OTHERWISE

B

B

A

A

FUSING		
VOLTAGE	DEVICE	RATING
ALL	F1	10A CC
ALL	F2	4A GLASS
230VAC	F3 & F4	15A KLDR
460VAC	(OPT)	7A KLDR
600VAC		6A KLDR

ITEM	QTY	PART NO.	DESCRIPTION
PARTS LIST / MATERIAL			

<table border="1"> <thead> <tr> <th colspan="3">INCH TOLERANCES</th> </tr> <tr> <th>OVER</th> <th>UP TO</th> <th>+ / -</th> </tr> </thead> <tbody> <tr><td>0</td><td>0.125</td><td>0.005</td></tr> <tr><td>0.125</td><td>0.25</td><td>0.010</td></tr> <tr><td>0.25</td><td>1.25</td><td>0.020</td></tr> <tr><td>1.25</td><td>5</td><td>0.030</td></tr> <tr><td>5</td><td>15</td><td>0.040</td></tr> <tr><td>15</td><td>40</td><td>0.060</td></tr> <tr><td>40</td><td>80</td><td>0.100</td></tr> <tr><td>80</td><td>-</td><td>0.125</td></tr> </tbody> </table>			INCH TOLERANCES			OVER	UP TO	+ / -	0	0.125	0.005	0.125	0.25	0.010	0.25	1.25	0.020	1.25	5	0.030	5	15	0.040	15	40	0.060	40	80	0.100	80	-	0.125	<p>DO NOT SCALE DRAWING</p> <p>MM-DD-YY</p> <p>DATE 9/27/2004</p> <p>DATE 1/13/2004</p>		<p><b>RITE-HITE</b><sup>®</sup> <b>DOORS INC.</b></p> <p>TITLE <b>INFLATABLE SEAL &amp; PANEL HEATER/BLOWER CONTROL WIRING MANUAL BARRIER GLIDER</b></p>	
INCH TOLERANCES																																				
OVER	UP TO	+ / -																																		
0	0.125	0.005																																		
0.125	0.25	0.010																																		
0.25	1.25	0.020																																		
1.25	5	0.030																																		
5	15	0.040																																		
15	40	0.060																																		
40	80	0.100																																		
80	-	0.125																																		
<p>DRAWN BY</p> <p>CHECKED BY</p> <p>APPROVED BY</p> <p>INITIAL ECN <b>4649</b></p> <p>DATE ISSUED <b>1/13/2004</b></p> <p>REF</p>		<p>SIZE <b>B</b></p> <p>MODEL NUMBER 7100</p> <p>DWG NO 8810E008</p> <p>REV <b>A</b></p>																																		
<p>ANGLES +/- 1 DEG</p> <p>FINISH</p>		<p>SCALE 1"=1"</p>		<p>PART #</p> <p>SHEET</p>																																