

4

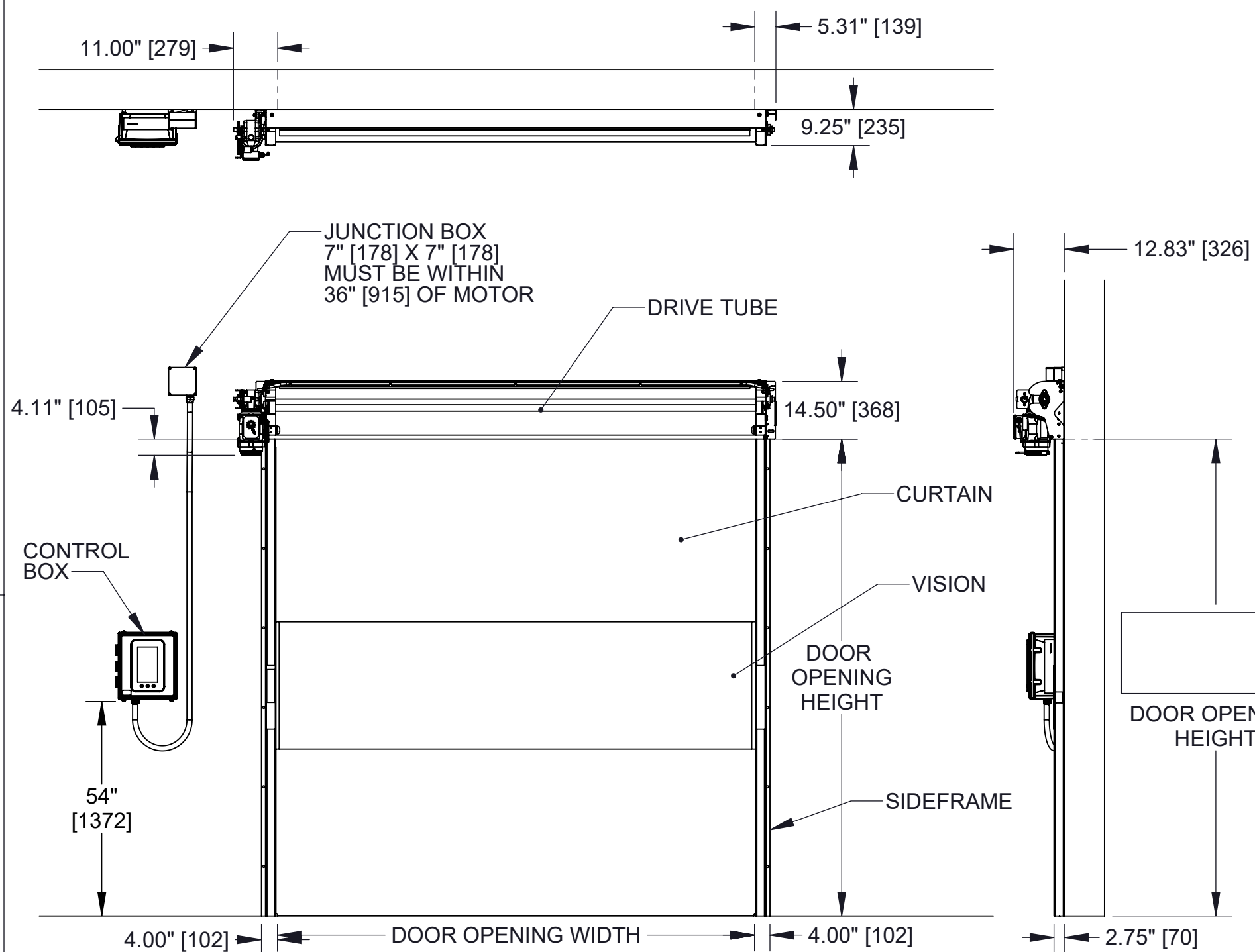
3

2

1

NEXT ASSEMBLY	FINAL ASSEMBLY
---------------	----------------

REVISION HISTORY				
REV.	DATE	NOTE	ECN	BY
F	8/14/2023	Remove 400V Motor Option	10416	NG
G	5/9/2024	CORRECT MATES	10586	ALS
H	5/9/2024	ICOMM4 RELEASE	10859	QWM



SPECIFICATIONS

- SPEED: UP TO 65" [1651MM]/SEC WITH STANDARD VARIABLE FREQUENCY DRIVE.
- SIZE: MAXIMUM: 12' [3658MM] wide x 12' [3658MM] high
MINIMUM: 3' [914MM] wide x 3' [914MM] high
- CURTAIN MATERIAL: 27 OZ. VINYL BLUE GRAY RED WHITE
 30 OZ. URETHANE BLUE CARBON
- SIDE FRAMES: STAINLESS STEEL
- DRIVE SYSTEM: 1 H.P. MOTOR, VARIABLE FREQUENCY DRIVE, IP66 RATED
- ELECTRICAL REQUIREMENTS: SINGLE PHASE: 220V - 240V, 60 HZ
THREE PHASE: 208V, 60 HZ
 230V, 60 HZ
 460V, 60 HZ
 575V, 60 HZ
- VISION OPTIONS: 32" HIGH FULL-WIDTH (STANDARD)
 NONE
- CONTROL BOX: I-COMM DIGITAL CONTROLLER, VARIABLE FREQUENCY DRIVE.
 POLYCARBONATE NEMA 4X (STD.) 15.375" [391] x 17.75" [451] x 8.3" [211]
 STAINLESS NEMA 4X WITH SLOPED TOP 16" [406] x 19" [483] x 8" [203]
STANDARD GRAPHICAL USER INTERFACE.
- CURTAIN RETENTION: WEAR RESISTANT UHMW WIND GUIDES KEEP TENSION ON THE CURTAIN THE ENTIRE LENGTH OF THE SIDE FRAME. INCLUDES TRUE AUTO RE-FEED SYSTEM IN CASE OF ACCIDENTAL IMPACTS TO CURTAIN.
- SAFETY FEATURES: SOFT EDGE TECHNOLOGY, THRU-BEAM PHOTO EYE MOUNTED AT 18" [457MM]
CURTAIN SLACK SENSOR.

B

B

A

A

NOTE:
1. Dimensions shown in [] are in millimeters

FINISH		MATERIAL	
CONFIDENTIAL		DRAWN BY DSL	
UNLESS OTHERWISE SPECIFIED DIMENSIONS ARE IN INCHES.		DRAWN DATE 4/27/2018	
TOLERANCES:		INITIAL ECN 7469	
.X = ±.050		DATE ISSUED	
.XX = ±.010		REFERENCE	
.XXX = ±.005		ALL SHEETS ARE THE SAME REVISION STATUS	
ANGLE = ±1.0°		DO NOT SCALE DRAWING	
THIRD ANGLE PROJECTION		SIZE MODEL DWG NO	
© 2010 RITE-HITE® DOORS INC.		B LTSWD 7829A002	
		REV H	
		SCALE 1:32 PART# LTSWD SHEET 1 OF 1	

4

3

2

1

**RITE-HITE®
DOORS INC.**

TITLE
ASSY,FINAL,LTSPDWSH

LEFT HAND DRIVE