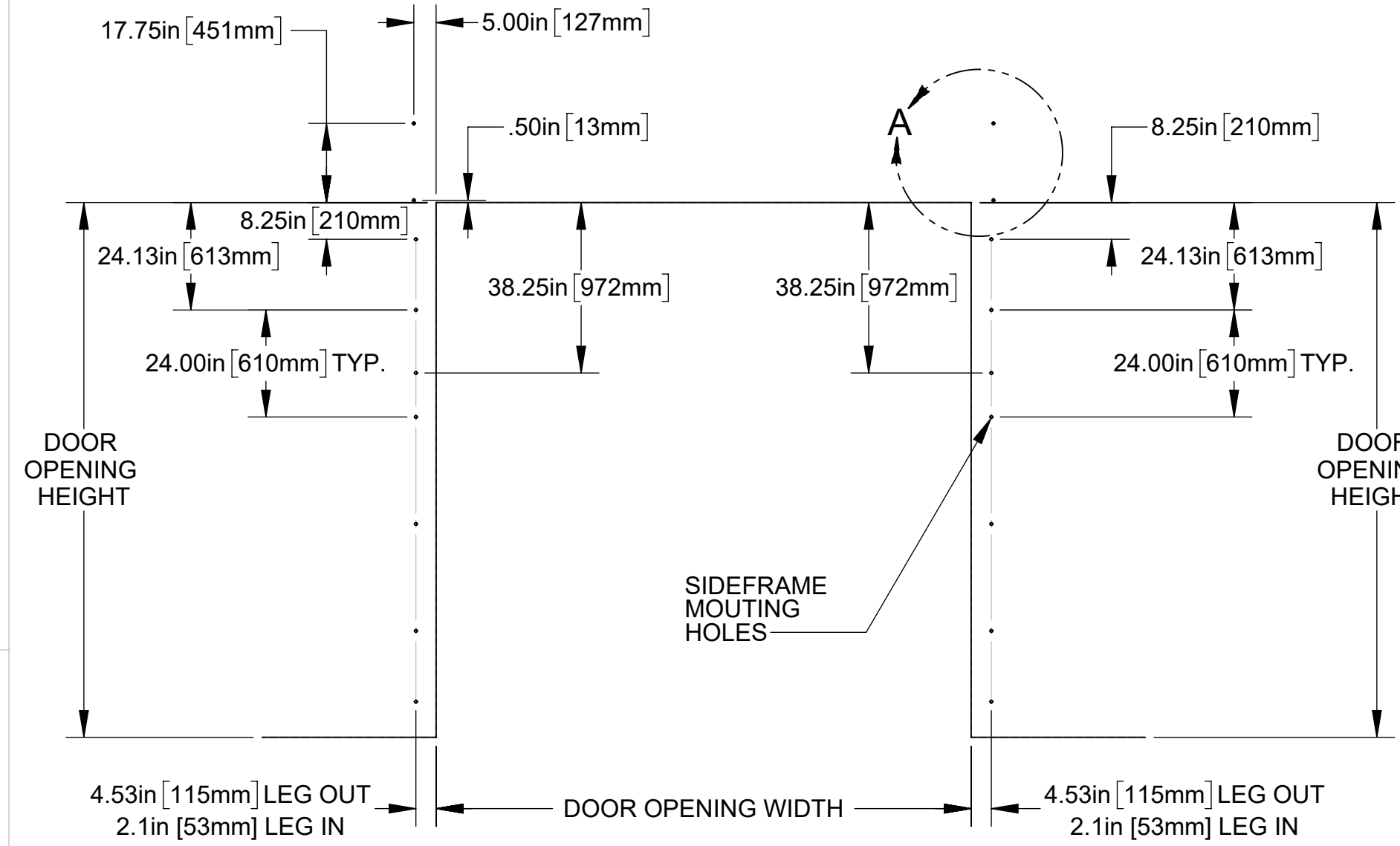


NEXT ASSEMBLY	FINAL ASSEMBLY

REVISION HISTORY				
REV.	DATE	NOTE	ECN	BY
-	8/16/2021	INITIAL RELEASE	10280	DSL

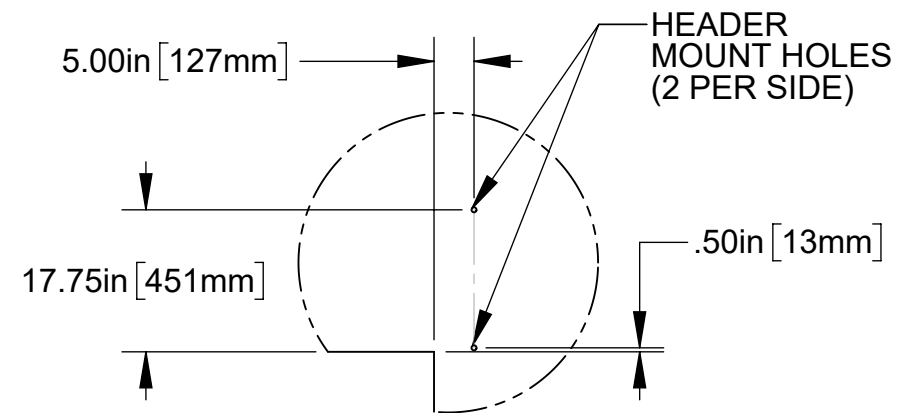


NOTE:
 DIMENSIONS APPLY TO RAPTOR DOCK AND RAPTOR PRO UNLESS OTHERWISE NOTED

THE HOLE LOCATIONS SHOWN ARE APPROXIMATE. DO NOT ATTEMPT TO PRE-DRILL MOUNTING HOLES BASED ON LOCATIONS SHOWN

FULL DOOR PROJECTIONS FOUND ON OTHER ARCHITECTURAL APPROVAL DRAWINGS

RAPTOR DOCK/PRO CENTER OF GRAVITY AND WEIGHTS		RAPTOR DOCK		RAPTOR PRO	
		10'X10'	10'X12'	10'X10'	16'X16'
CENTER OF GRAVITY (OPEN POSITION)	VERTICAL DIMENSION (FROM GROUND)	119"	139"	116"	184"
	HORIZONTAL DIMENSION (FROM WALL)	5.5"	5.375"	5.5"	5.5"
WEIGHT OF DOOR ASSEMBLY (WITH SBR RUBBER CURTAIN)		825 LBS	875 LBS	850 LBS	1400 LBS



DETAIL A
 SCALE 1 : 24

FINISH		MATERIAL	
CONFIDENTIAL		DRAWN BY DSL	
UNLESS OTHERWISE SPECIFIED DIMENSIONS ARE IN INCHES.		DRAWN DATE 08/11/2021	
TOLERANCES:		INITIAL ECN 10280	
.X = ±.050		DATE ISSUED 8/12/2021	
.XX = ±.010		REFERENCE	
.XXX = ±.005		ALL SHEETS ARE THE SAME REVISION STATUS	
ANGLE = ±1.0°		DO NOT SCALE DRAWING	
THIRD ANGLE PROJECTION		SIZE MODEL DWG NO	
© 2010 RITE-HITE® DOORS INC.		B RAPDK & PR 9810A008	
		REV -	
		SCALE 1:32 PART# SHEET 1 OF 1	

B

B

A

A