

4

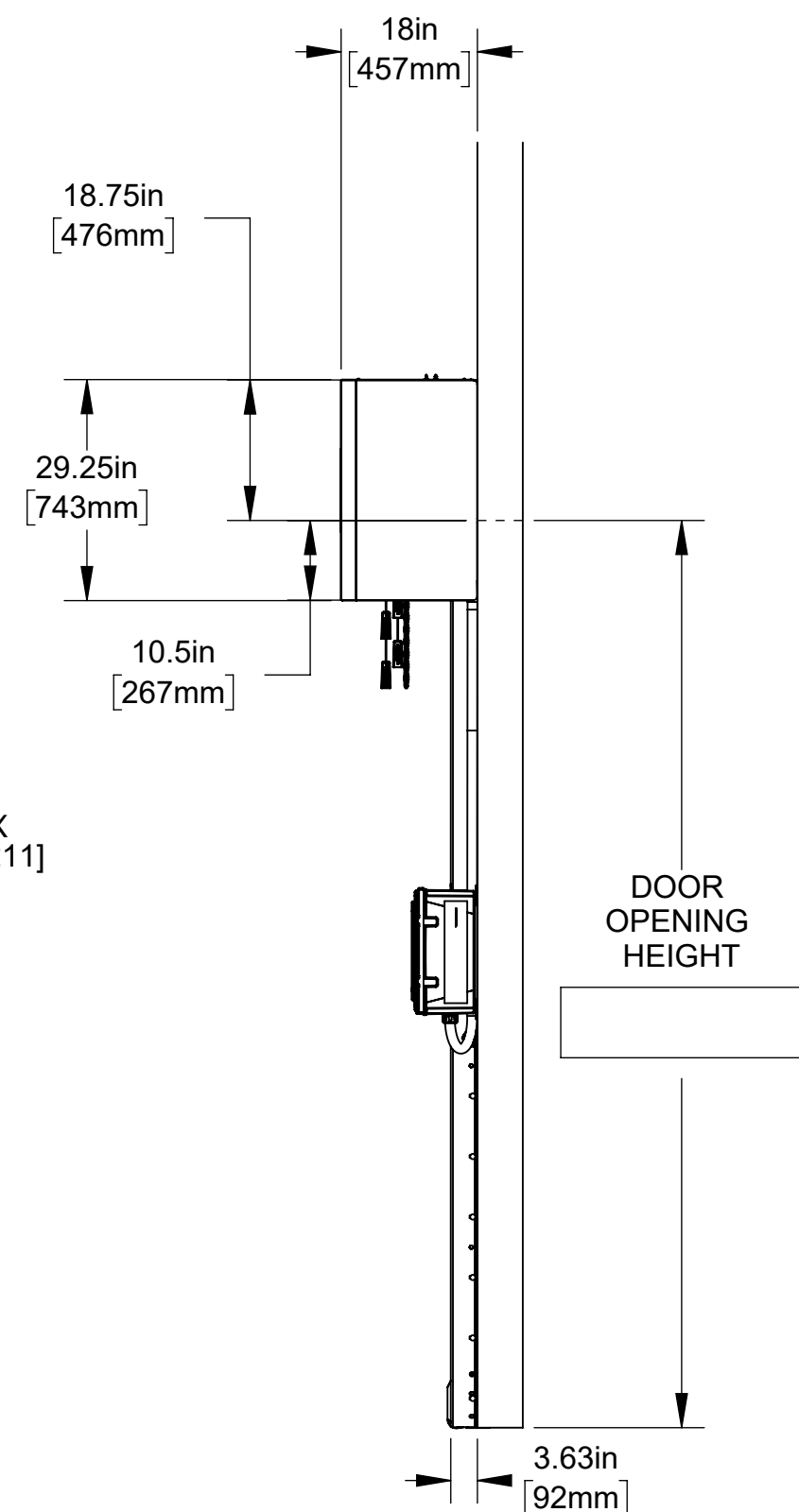
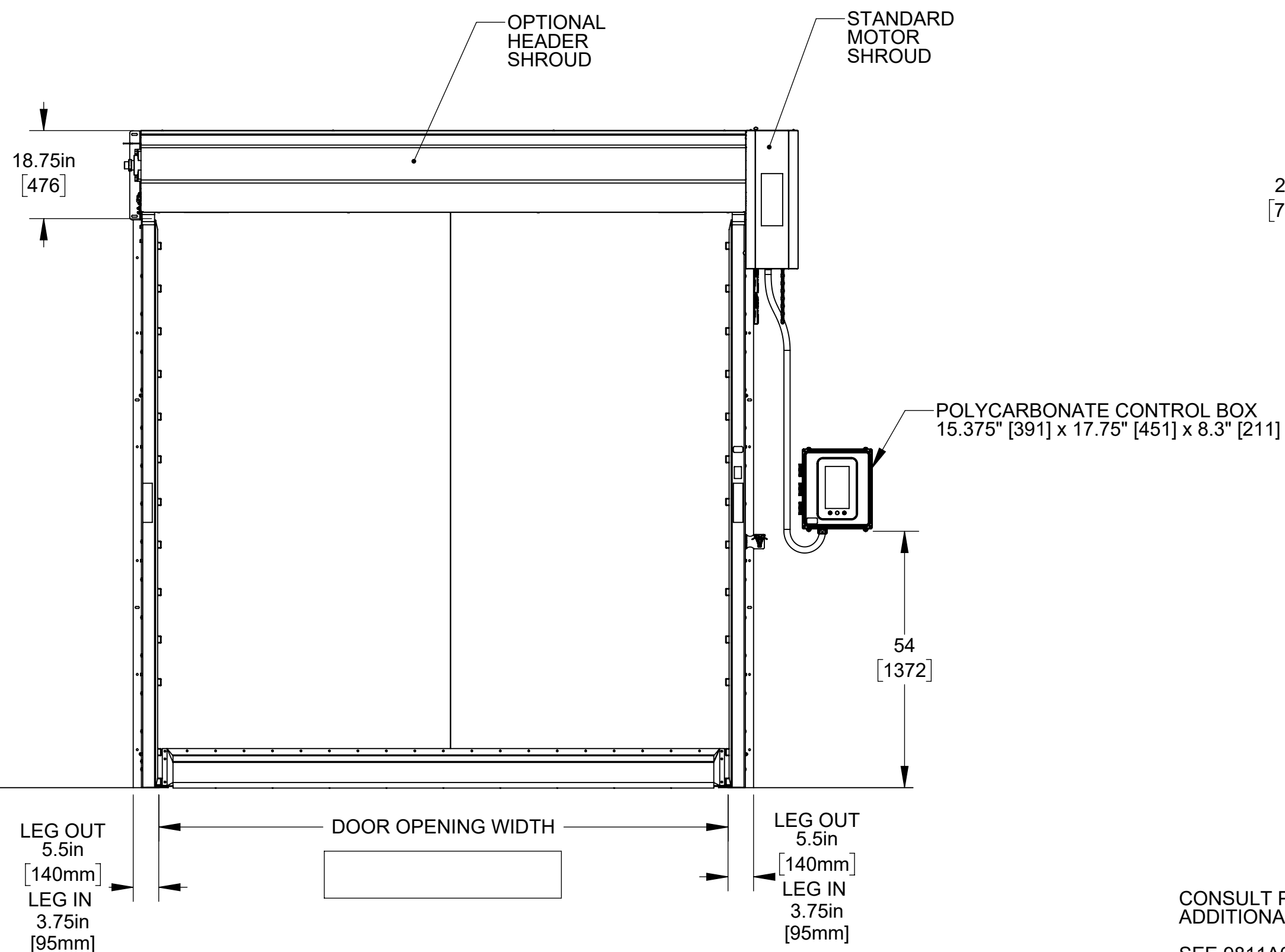
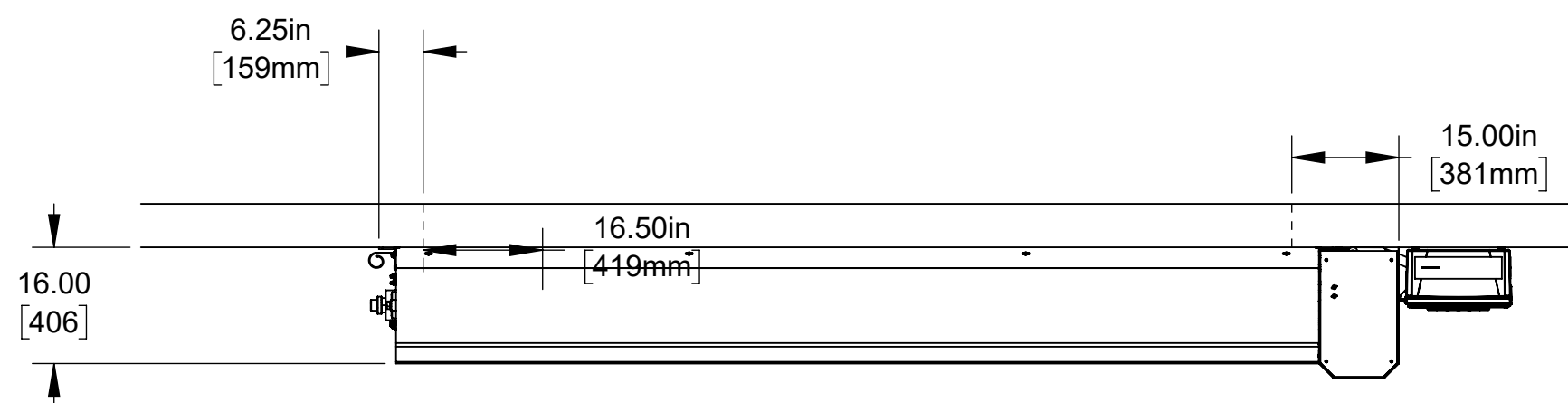
3

2

1

NEXT ASSEMBLY	FINAL ASSEMBLY
FINAL	FINAL

REVISION HISTORY				
REV.	DATE	NOTE	ECN	BY
A	6/24/2021	LEG IN DIM ADDED	10280	DSL
B	5/13/2024	LEG IN DIM ADDED	10280	DSL
C	5/13/2024	ICOMM4 RELEASE	10859	QWM



CONSULT PRODUCT SELL/SPECIFICATION SHEET & ORDER FORM FOR ADDITIONAL PRODUCT SPECIFICATIONS & ALL AVAILABLE OPTIONS.
SEE 9811A002 FOR LEFT HAND DRIVE

FINISH		MATERIAL	
CONFIDENTIAL		DRAWN BY DSL	
UNLESS OTHERWISE SPECIFIED DIMENSIONS ARE IN INCHES.		DRAWN DATE 04/29/2021	
TOLERANCES:		INITIAL ECN 10280	
.X = ±.050		DATE ISSUED 5/14/2021	
.XX = ±.010		REFERENCE	
.XXX = ±.005		ALL SHEETS ARE THE SAME REVISION STATUS	
ANGLE = ±1.0°		DO NOT SCALE DRAWING	
THIRD ANGLE PROJECTION		TITLE	
		ARCHITECTURAL APPROVAL	
© 2010 RITE-HITE® DOORS INC.		RAPTOR PRO	
		RIGHT HAND DRIVE	
		SIZE MODEL DWG NO	
		C RAPPRO 9811A001	
		SCALE 1:24 PART# - SHEET 1 OF 1	
		REV C	

4

3

2

1