

4

3

2

1

NEXT ASSEMBLY

REVISION HISTORY					
REV	DESCRIPTION	ECH	DATE	BY	APPROVED
A	ADDED NOTE ABOUT RAISED BUMPERS	08-009	3/26/08	GDB	
B	ADDED "FOR REFERENCE ONLY" NOTE	11-010	3/29/2011	GDB	
C	UPDATED LOGO AND TITLE BLOCK	14-006	3/31/2014	GDB	

D

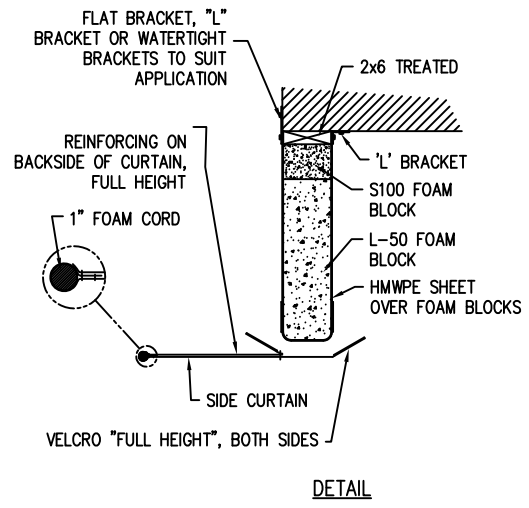
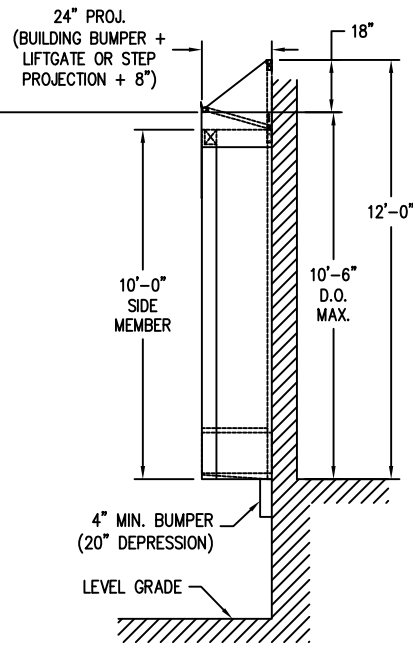
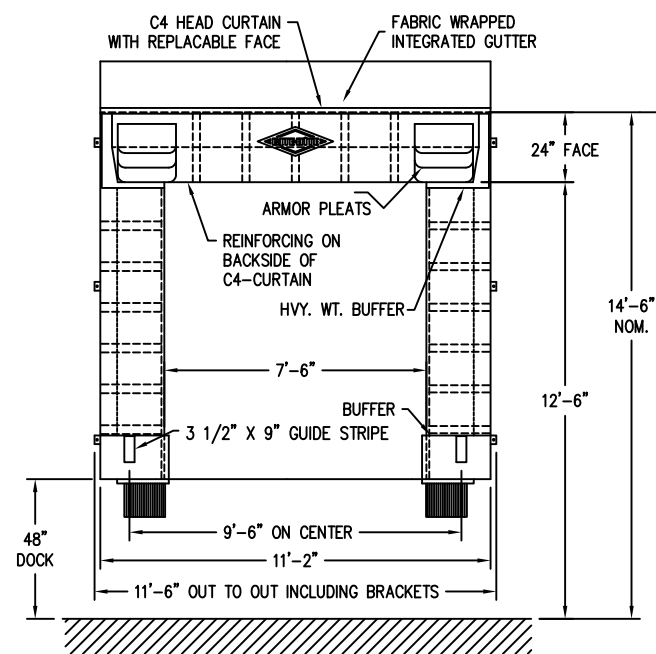
D

C

C

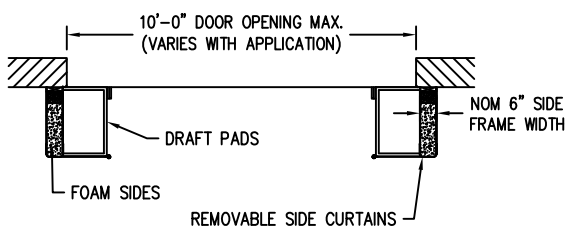
B

A



C4 STYLE CURTAIN FACE & PLEAT FABRIC: F119, 40V, BLACK  
 SIDE FRAME: F114 22 PLUS, BLACK  
 SIDE CURTAIN: F119, 40V, BLACK

NOTE:  
 APPLICATIONS THAT HAVE BUMPERS MOUNTED ABOVE DOCK HEIGHT (OR ABOVE THE PIT FLOOR IN VERTICAL LEVELER APPLICATIONS) MAY REQUIRE THAT THE BOTTOM OF THE SIDE MEMBERS BE MOUNTED AT THE TOP OF THE BUMPERS INSTEAD OF AT DOCK HEIGHT.



THIS DRAWING IS FOR REFERENCE ONLY. DO NOT USE FOR PRODUCTION PURPOSES.

ITEM	QTY	PART NO.	DESCRIPTION																														
PARTS LIST / MATERIAL																																	
<table border="1"> <thead> <tr> <th colspan="3">INCH TOLERANCES</th> </tr> <tr> <th>OVER</th> <th>UP TO</th> <th>+ / -</th> </tr> </thead> <tbody> <tr> <td>0</td> <td>0.125</td> <td>0.005</td> </tr> <tr> <td>0.125</td> <td>0.25</td> <td>0.010</td> </tr> <tr> <td>0.25</td> <td>1.25</td> <td>0.020</td> </tr> <tr> <td>1.25</td> <td>5</td> <td>0.030</td> </tr> <tr> <td>5</td> <td>15</td> <td>0.040</td> </tr> <tr> <td>15</td> <td>40</td> <td>0.050</td> </tr> <tr> <td>40</td> <td>80</td> <td>0.100</td> </tr> <tr> <td>80</td> <td>-</td> <td>0.125</td> </tr> </tbody> </table>				INCH TOLERANCES			OVER	UP TO	+ / -	0	0.125	0.005	0.125	0.25	0.010	0.25	1.25	0.020	1.25	5	0.030	5	15	0.040	15	40	0.050	40	80	0.100	80	-	0.125
INCH TOLERANCES																																	
OVER	UP TO	+ / -																															
0	0.125	0.005																															
0.125	0.25	0.010																															
0.25	1.25	0.020																															
1.25	5	0.030																															
5	15	0.040																															
15	40	0.050																															
40	80	0.100																															
80	-	0.125																															
<table border="1"> <thead> <tr> <th colspan="2">DO NOT SCALE DRAWING</th> </tr> <tr> <th>DATE</th> <th>BY</th> </tr> </thead> <tbody> <tr> <td>MM-DD-YY</td> <td></td> </tr> <tr> <td>3/26/08</td> <td>GDB</td> </tr> </tbody> </table>				DO NOT SCALE DRAWING		DATE	BY	MM-DD-YY		3/26/08	GDB																						
DO NOT SCALE DRAWING																																	
DATE	BY																																
MM-DD-YY																																	
3/26/08	GDB																																
<table border="1"> <thead> <tr> <th colspan="2">CHECKED BY</th> <th colspan="2">DATE</th> </tr> </thead> <tbody> <tr> <td></td> <td></td> <td></td> <td></td> </tr> </tbody> </table>				CHECKED BY		DATE																											
CHECKED BY		DATE																															
<table border="1"> <thead> <tr> <th colspan="2">APPROVED BY</th> <th colspan="2">DATE</th> </tr> </thead> <tbody> <tr> <td></td> <td></td> <td></td> <td></td> </tr> </tbody> </table>				APPROVED BY		DATE																											
APPROVED BY		DATE																															
<table border="1"> <thead> <tr> <th colspan="2">INITIAL ECH</th> <th colspan="2">DATE ISSUED</th> </tr> </thead> <tbody> <tr> <td></td> <td></td> <td></td> <td></td> </tr> </tbody> </table>				INITIAL ECH		DATE ISSUED																											
INITIAL ECH		DATE ISSUED																															
<table border="1"> <thead> <tr> <th colspan="2">FINISH</th> <th colspan="2">NONE</th> </tr> </thead> <tbody> <tr> <td></td> <td></td> <td></td> <td></td> </tr> </tbody> </table>				FINISH		NONE																											
FINISH		NONE																															
<table border="1"> <thead> <tr> <th colspan="2">RITE-HITE ENVIRONMENTAL ENCLOSURES CORP.</th> </tr> <tr> <th>TITLE</th> <th>ARCHITECTURAL APPROVAL</th> </tr> </thead> <tbody> <tr> <td></td> <td>610C - COMBO II W/ INTEGRAL HOOD</td> </tr> <tr> <td></td> <td>12" LIFTGATE OR STEP APP. - 6" BACKERS</td> </tr> </tbody> </table>				RITE-HITE ENVIRONMENTAL ENCLOSURES CORP.		TITLE	ARCHITECTURAL APPROVAL		610C - COMBO II W/ INTEGRAL HOOD		12" LIFTGATE OR STEP APP. - 6" BACKERS																						
RITE-HITE ENVIRONMENTAL ENCLOSURES CORP.																																	
TITLE	ARCHITECTURAL APPROVAL																																
	610C - COMBO II W/ INTEGRAL HOOD																																
	12" LIFTGATE OR STEP APP. - 6" BACKERS																																
<table border="1"> <thead> <tr> <th>SIZE</th> <th>MODEL NUMBER</th> <th>DWG NO.</th> <th>REV</th> </tr> </thead> <tbody> <tr> <td>C</td> <td>610C</td> <td>A7120087</td> <td>C</td> </tr> </tbody> </table>		SIZE	MODEL NUMBER	DWG NO.	REV	C	610C	A7120087	C	<table border="1"> <thead> <tr> <th>SCALE</th> <th>PART #</th> <th>SHEET</th> <th>REV</th> </tr> </thead> <tbody> <tr> <td>3/8"=1'</td> <td></td> <td>1 of 1</td> <td>C</td> </tr> </tbody> </table>		SCALE	PART #	SHEET	REV	3/8"=1'		1 of 1	C														
SIZE	MODEL NUMBER	DWG NO.	REV																														
C	610C	A7120087	C																														
SCALE	PART #	SHEET	REV																														
3/8"=1'		1 of 1	C																														

4

3

2

1

DWG NO. A7120087 SHEET 1 of 1