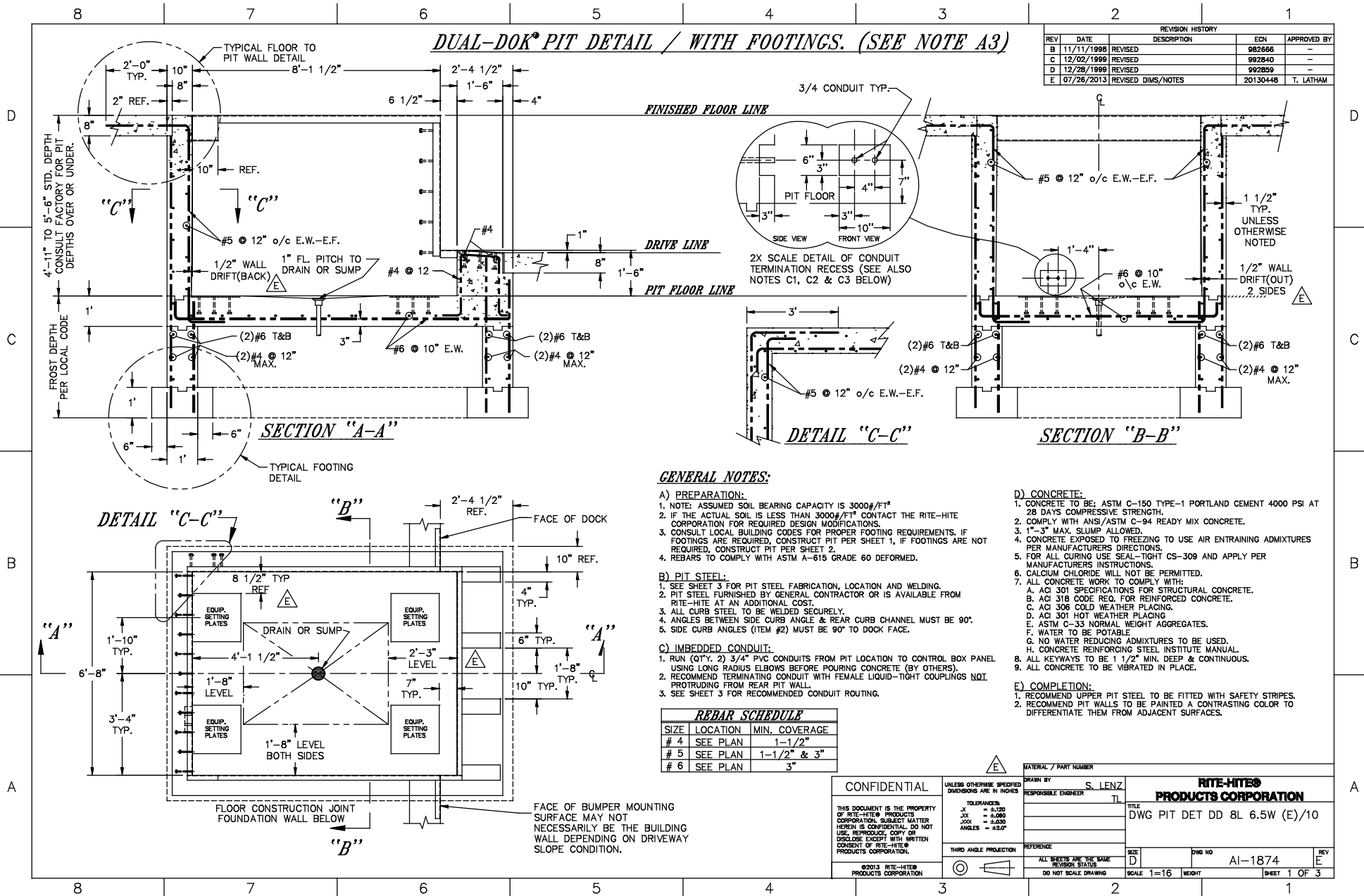


DUAL-DOK® PIT DETAIL / WITH FOOTINGS. (SEE NOTE A3)

REVISION HISTORY				
REV	DATE	DESCRIPTION	EDN	APPROVED BY
B	11/11/1998	REVISED	982666	-
C	12/02/1999	REVISED	982840	-
D	12/28/1999	REVISED	992859	-
E	07/26/2013	REVISED DIMS/NOTES	20130448	T. LATHAM



GENERAL NOTES:

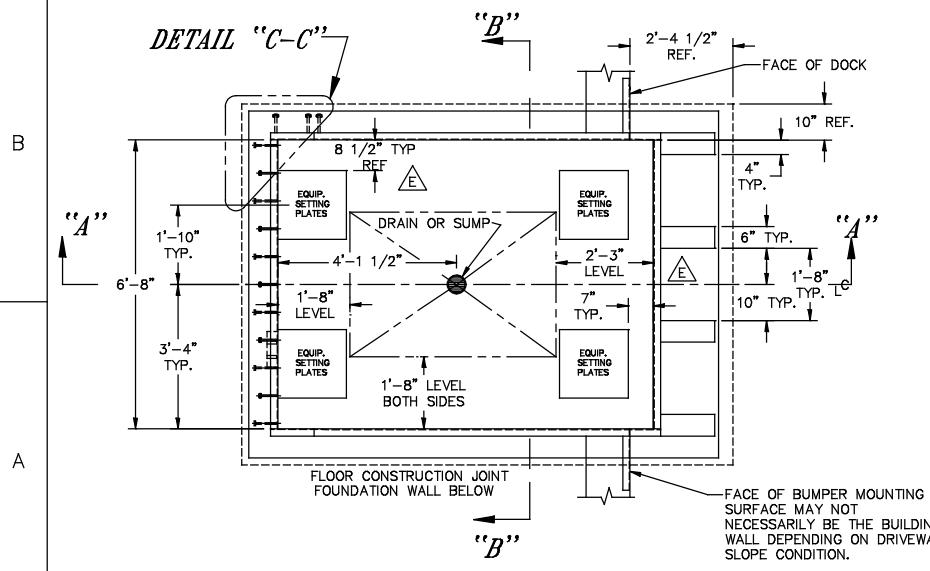
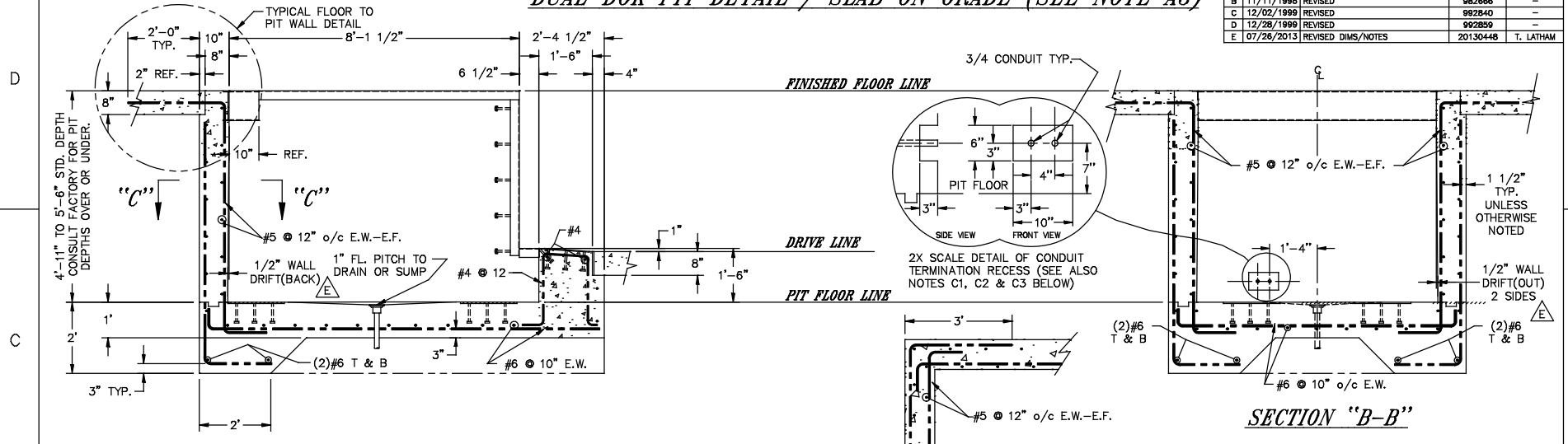
- A) PREPARATION:**
- NOTE: ASSUMED SOIL BEARING CAPACITY IS 3000#/FT²
 - IF THE ACTUAL SOIL IS LESS THAN 3000#/FT² CONTACT THE RITE-HITE CORPORATION FOR REQUIRED DESIGN MODIFICATIONS.
 - CONSULT LOCAL BUILDING CODES FOR PROPER FOOTING REQUIREMENTS, IF FOOTINGS ARE REQUIRED, CONSTRUCT PIT PER SHEET 1, IF FOOTINGS ARE NOT REQUIRED, CONSTRUCT PIT PER SHEET 2.
 - REBARS TO COMPLY WITH ASTM A-615 GRADE 60 DEFORMED.
- B) PIT STEEL:**
- SEE SHEET 3 FOR PIT STEEL FABRICATION, LOCATION AND WELDING.
 - PIT STEEL FURNISHED BY GENERAL CONTRACTOR OR IS AVAILABLE FROM RITE-HITE AT AN ADDITIONAL COST.
 - ALL CURB STEEL TO BE WELDED SECURELY.
 - ANGLES BETWEEN SIDE CURB ANGLE & REAR CURB CHANNEL MUST BE 90°.
 - SIDE CURB ANGLES (ITEM #2) MUST BE 90° TO DOCK FACE.
- C) IMBEDDED CONDUIT:**
- RUN (QTY. 2) 3/4" PVC CONDUITS FROM PIT LOCATION TO CONTROL BOX PANEL USING LONG RADIUS ELBOWS BEFORE POURING CONCRETE (BY OTHERS).
 - RECOMMEND TERMINATING CONDUIT WITH FEMALE LIQUID-TIGHT COUPLINGS NOT PROTRUDING FROM REAR PIT WALL.
 - SEE SHEET 3 FOR RECOMMENDED CONDUIT ROUTING.
- D) CONCRETE:**
- CONCRETE TO BE; ASTM C-150 TYPE-1 PORTLAND CEMENT 4000 PSI AT 28 DAYS COMPRESSIVE STRENGTH.
 - COMPLY WITH ANSI/ASTM C-94 READY MIX CONCRETE.
 - 1"-3" MAX. SLUMP ALLOWED.
 - CONCRETE EXPOSED TO FREEZING TO USE AIR ENTRAINING ADMIXTURES PER MANUFACTURERS DIRECTIONS.
 - FOR ALL CURING USE SEAL-TIGHT CS-309 AND APPLY PER MANUFACTURERS INSTRUCTIONS.
 - CALCIUM CHLORIDE WILL NOT BE PERMITTED.
 - ALL CONCRETE WORK TO COMPLY WITH:
 - A. ACI 301 SPECIFICATIONS FOR STRUCTURAL CONCRETE.
 - B. ACI 318 CODE REQ. FOR REINFORCED CONCRETE.
 - C. ACI 308 COLD WEATHER PLACING.
 - D. ACI 301 HOT WEATHER PLACING
 - E. ASTM C-33 NORMAL WEIGHT AGGREGATES.
 - F. WATER TO BE POTABLE
 - G. NO WATER REDUCING ADMIXTURES TO BE USED.
 - H. CONCRETE REINFORCING STEEL INSTITUTE MANUAL
 - ALL KEYWAYS TO BE 1 1/2" MIN. DEEP & CONTINUOUS.
 - ALL CONCRETE TO BE VIBRATED IN PLACE.
- E) COMPLETION:**
- RECOMMEND UPPER PIT STEEL TO BE FITTED WITH SAFETY STRIPES.
 - RECOMMEND PIT WALLS TO BE PAINTED A CONTRASTING COLOR TO DIFFERENTIATE THEM FROM ADJACENT SURFACES.

REBAR SCHEDULE		
SIZE	LOCATION	MIN. COVERAGE
# 4	SEE PLAN	1-1/2"
# 5	SEE PLAN	1-1/2" & 3"
# 6	SEE PLAN	3"

CONFIDENTIAL THIS DOCUMENT IS THE PROPERTY OF RITE-HITE® PRODUCTS CORPORATION. SUBJECT MATTER HEREIN IS CONFIDENTIAL. DO NOT USE, REPRODUCE, COPY OR DISCLOSE EXCEPT WITH WRITTEN CONSENT OF RITE-HITE PRODUCTS CORPORATION. ©2013 RITE-HITE PRODUCTS CORPORATION	UNLESS OTHERWISE SPECIFIED DIMENSIONS ARE IN INCHES TOLERANCES: .J = ±.020 .XX = ±.060 .XXX = ±.030 ANGLES = ±2.0°	DRAWN BY RESPONSIBLE ENGINEER S. LENZ TL	MATERIAL / PART NUMBER RITE-HITE® PRODUCTS CORPORATION TITLE DWG PIT DET DD 8L 6.5W (E)/10
		REFERENCE: ALL SHEETS ARE THE SAME REVISION STATUS DO NOT SCALE DRAWING	

DUAL-DOK® PIT DETAIL / SLAB ON GRADE (SEE NOTE A3)

REVISION HISTORY				
REV	DATE	DESCRIPTION	EDN	APPROVED BY
B	11/11/1998	REVISED	982666	-
C	12/02/1999	REVISED	982840	-
D	12/28/1999	REVISED	992859	-
E	07/26/2013	REVISED DIMS/NOTES	20130448	T. LATHAM



GENERAL NOTES:

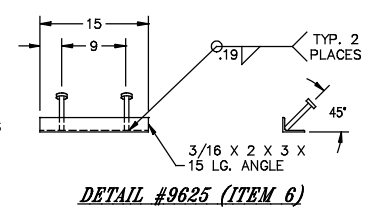
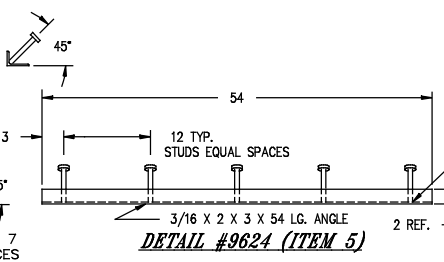
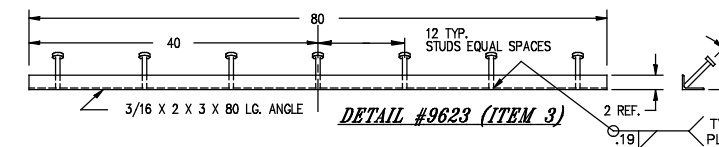
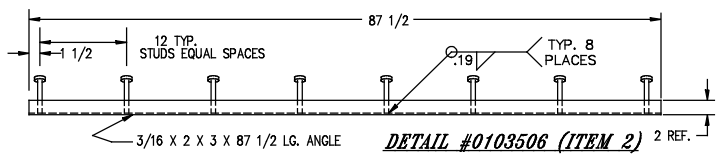
- A) PREPARATION:**
- NOTE: ASSUMED SOIL BEARING CAPACITY IS 3000#/FT²
 - IF THE ACTUAL SOIL IS LESS THAN 3000#/FT² CONTACT THE RITE-HITE CORPORATION FOR REQUIRED DESIGN MODIFICATIONS.
 - CONSULT LOCAL BUILDING CODES FOR PROPER FOOTING REQUIREMENTS. IF FOOTINGS ARE REQUIRED, CONSTRUCT PIT PER SHEET 1, IF FOOTINGS ARE NOT REQUIRED, CONSTRUCT PIT PER SHEET 2.
 - REBARS TO COMPLY WITH ASTM A-615 GRADE 60 DEFORMED.
- B) PIT STEEL:**
- SEE SHEET 3 FOR PIT STEEL FABRICATION, LOCATION AND WELDING.
 - PIT STEEL FURNISHED BY GENERAL CONTRACTOR OR IS AVAILABLE FROM RITE-HITE AT AN ADDITIONAL COST.
 - ALL CURB STEEL TO BE WELDED SECURELY.
 - ANGLES BETWEEN SIDE CURB ANGLE & REAR CURB CHANNEL MUST BE 90°.
 - SIDE CURB ANGLES (ITEM #2) MUST BE 90° TO DOCK FACE.
- C) IMBEDDED CONDUIT:**
- RUN (QTY. 2) 3/4" PVC CONDUITS FROM PIT LOCATION TO CONTROL BOX PANEL USING LONG RADIUS ELBOWS BEFORE POURING CONCRETE (BY OTHERS).
 - RECOMMEND TERMINATING CONDUIT WITH FEMALE LIQUID-TIGHT COUPLINGS NOT PROTRUDING FROM REAR PIT WALL.
 - SEE SHEET 3 FOR RECOMMENDED CONDUIT ROUTING.
- D) CONCRETE:**
- CONCRETE TO BE: ASTM C-150 TYPE-1 PORTLAND CEMENT 4000 PSI AT 28 DAYS COMPRESSIVE STRENGTH.
 - COMPLY WITH ANSI/ASTM C-94 READY MIX CONCRETE.
 - 1" - 3" MAX. SLUMP ALLOWED.
 - CONCRETE EXPOSED TO FREEZING TO USE AIR ENTRAINING ADMIXTURES PER MANUFACTURERS DIRECTIONS.
 - FOR ALL CURING USE SEAL-TIGHT CS-309 AND APPLY PER MANUFACTURERS INSTRUCTIONS.
 - CALCIUM CHLORIDE WILL NOT BE PERMITTED.
 - ALL CONCRETE WORK TO COMPLY WITH:
 - ACI 301 SPECIFICATIONS FOR STRUCTURAL CONCRETE.
 - ACI 318 CODE REQ. FOR REINFORCED CONCRETE.
 - ACI 306 COLD WEATHER PLACING.
 - ACI 301 HOT WEATHER PLACING.
 - ASTM C-33 NORMAL WEIGHT AGGREGATES.
 - WATER TO BE POTABLE.
 - NO WATER REDUCING ADMIXTURES TO BE USED.
 - CONCRETE REINFORCING STEEL INSTITUTE MANUAL.
 - ALL KEYWAYS TO BE 1 1/2" MIN. DEEP & CONTINUOUS.
 - ALL CONCRETE TO BE VIBRATED IN PLACE.
- E) COMPLETION:**
- RECOMMEND UPPER PIT STEEL TO BE FITTED WITH SAFETY STRIPES.
 - RECOMMEND PIT WALLS TO BE PAINTED A CONTRASTING COLOR TO DIFFERENTIATE THEM FROM ADJACENT SURFACES.

REBAR SCHEDULE		
SIZE	LOCATION	MIN. COVERAGE
# 4	SEE PLAN	1-1/2"
# 5	SEE PLAN	1-1/2" & 3"
# 6	SEE PLAN	3"

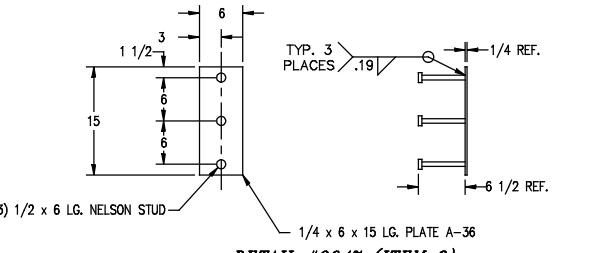
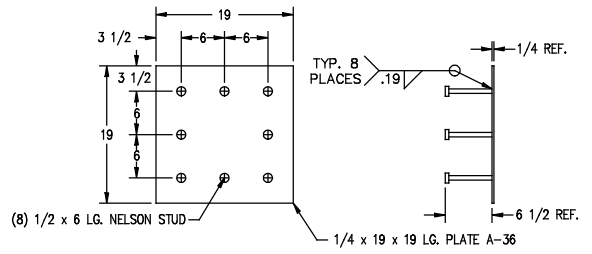
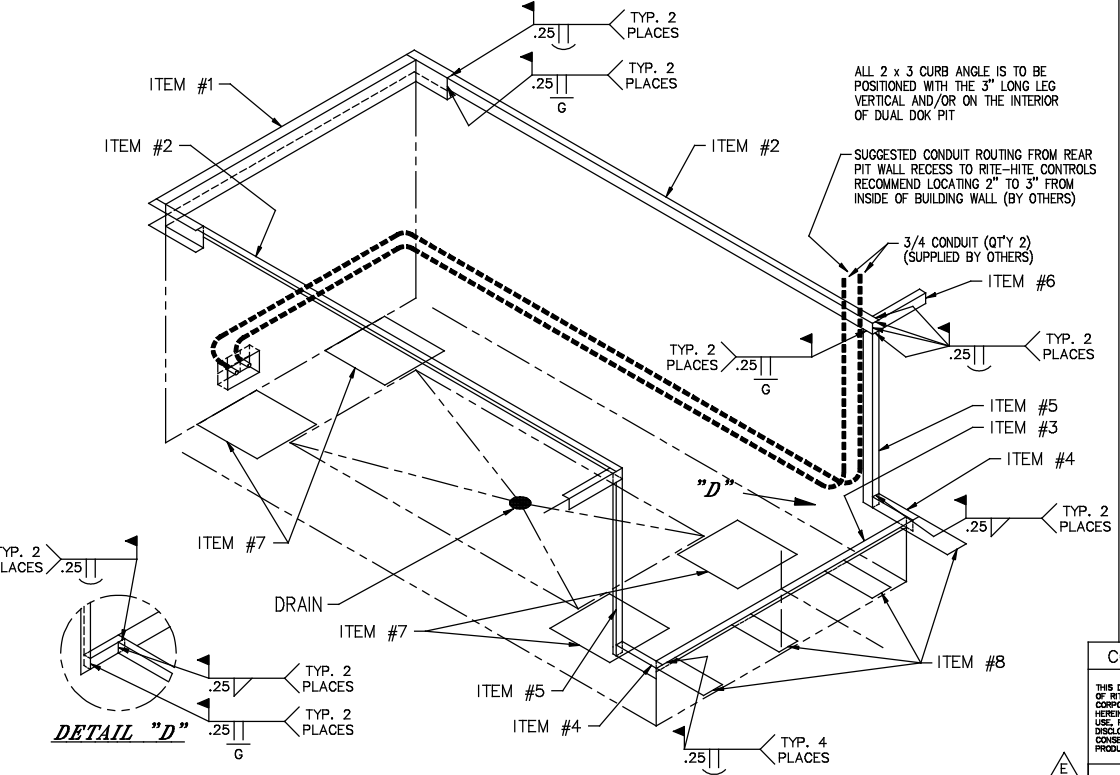
CONFIDENTIAL THIS DOCUMENT IS THE PROPERTY OF RITE-HITE® PRODUCTS CORPORATION. SUBJECT MATTER HEREIN IS CONFIDENTIAL. DO NOT USE, REPRODUCE, COPY OR DISCLOSE EXCEPT WITH WRITTEN CONSENT OF RITE-HITE PRODUCTS CORPORATION. ©2013 RITE-HITE PRODUCTS CORPORATION	UNLESS OTHERWISE SPECIFIED DIMENSIONS ARE IN INCHES TOLERANCES: J = ±.030 .XX = ±.060 .XXX = ±.030 ANGLES = ±.02°	DRAWN BY S. LENZ RESPONSIBLE ENGINEER TL	RITE-HITE® PRODUCTS CORPORATION TITLE DWG PIT DET DD 8L 6.5W (E)/10
	THIRD ANGLE PROJECTION	REFERENCE: ALL SHEETS ARE THE SAME REVISION STATUS. DO NOT SCALE DRAWING	

8 7 6 5 4 3 2 1

REVISION HISTORY				
REV	DATE	DESCRIPTION	ECN	APPROVED BY
B	11/11/1998	REVISED	982666	-
C	12/02/1999	REVISED	982840	-
D	12/28/1999	REVISED	992859	-
E	07/26/2013	REVISED DIMS/NOTES	20130448	T. LATHAM



PIT STEEL LOCATION, WELDING AND CONDUIT ROUTING INFORMATION



ITEM	QTY.	PART NO.	DESCRIPTION	MATL.
9	*	00053122	1/2 DIA. X 6 LG. NELSON STUD ANCHOR	
8	4	0009647	APPROACH PAD W/ STUDS	A-36
7	4	0009648	PIT FLOOR MOUNTING PAD W/ STUDS	A-36
6	2	0009625	HORIZ. FACE ANGLE W/ STUD (15" LG.)	A-36
5	2	0009624	VERT. FACE ANGLE W/ STUDS (54" LG.)	A-36
4	2	0103455	ANGLE 3.00 X 2.00 X .31 X 8.50	A-36
3	1	0009623	FRONT CURB ANGLE W/ STUDS (80" LG.)	A-36
2	2	0103506	PIT CURB ANGLE W/ STUDS (87 1/2" LG.)	A-36
1	1	0005201	REAR CURB CHANNEL (BY R.H.C.)	

* QUANTITIES AS REQUIRED

<p>CONFIDENTIAL</p> <p>UNLESS OTHERWISE SPECIFIED DIMENSIONS ARE IN INCHES</p> <p>TOLERANCES: .125 = ±.020 .125 = ±.030 .125 = ±.040 ANGLES = ±2.0°</p> <p>THIS DOCUMENT IS THE PROPERTY OF RITE-HITE PRODUCTS CORPORATION. SUBJECT MATTER HEREIN IS CONFIDENTIAL. DO NOT USE, REPRODUCE, COPY OR DISCLOSE EXCEPT WITH WRITTEN CONSENT OF RITE-HITE PRODUCTS CORPORATION.</p> <p>©2013 RITE-HITE PRODUCTS CORPORATION</p>	<p>DRAWN BY S. LENZ</p> <p>RESPONSIBLE ENGINEER TL</p>	<p>RITE-HITE® PRODUCTS CORPORATION</p> <p>TITLE DWG PIT DET DD 8L 6.5W (E)/10</p>
	<p>THIRD ANGLE PROJECTION</p> <p>REFERENCE: ALL SHEETS ARE THE SAME REVISION STATUS DO NOT SCALE DRAWING</p>	<p>SIZE D DWG NO AI-1874</p> <p>SCALE 1=8 WEIGHT SHEET 3 OF 3</p>

8 7 6 5 4 3 2 1