

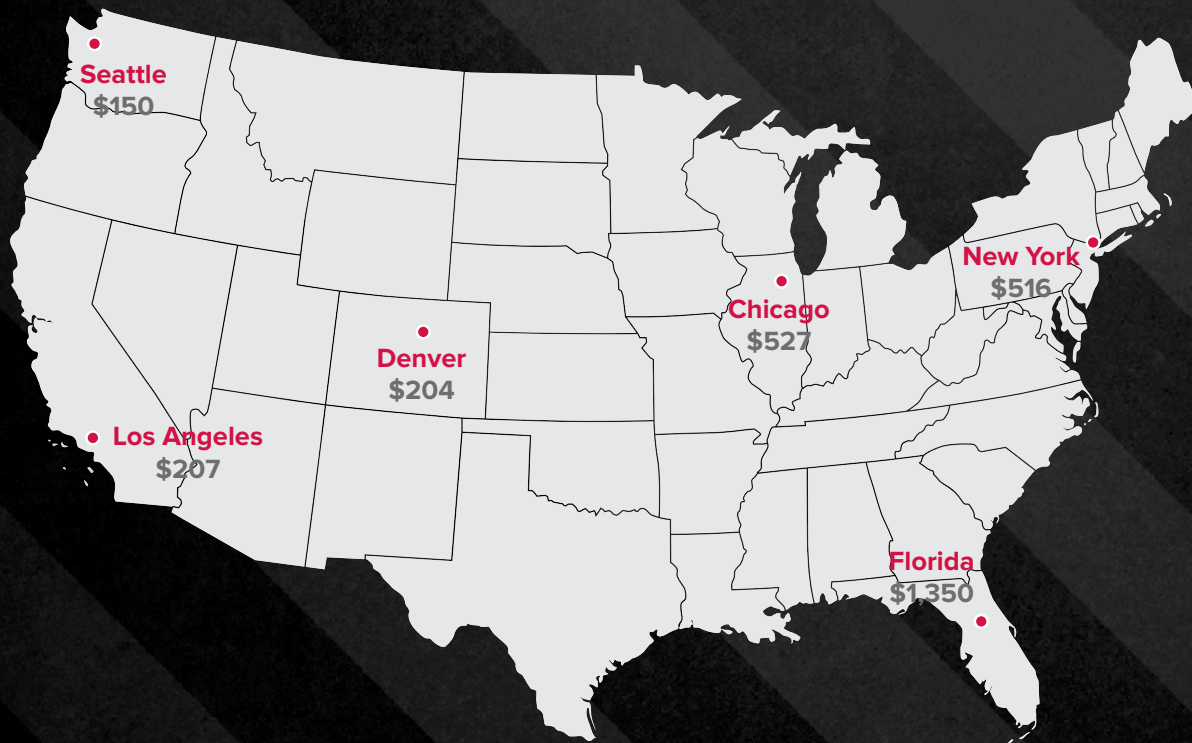
Small gaps add up

Inside your dock, anywhere you see daylight there's a gap, and a Rite-Hite weather seal product to fill it.



RITEHITE
ALWAYS LOOKING AHEAD

Closing the gap



Average annual energy losses that can occur when not sealing the space **FOR A SINGLE LOADING DOCK POSITION** in buildings that use conditioned air year-round.

Calculations based on a gap being present 24 hours a day and a maintained temperature of between 65 - 70 degrees F.

When looking at the gaps around your dock levelers and overhead doors, a single opening could have as much as 2 sq. ft. of unprotected space against the elements.

Consult your Rite-Hite representative for a **FREE** energy loss analysis

RITE HITE		Whiteboards by Rite Hite	
Energy Savings Report			
Location Information			
Location	Phoenix, Arizona	City State	910 N
Heating Conditions Summary			
Inside Temperature	65 F	Hours gap is present per day	24 hours
Days gap is present per week	7 days	Fuel Type	Electricity
Annual heating losses	\$14.36		
Annual Cooling & Conditioning			
Inside Temperature	75 F	Hours gap is present per day	24 hours
Days gap is present per week	7 days	Fuel Type	Electricity
Annual cooling losses	\$4.00		
Results			
TOTAL ESTIMATED ANNUAL ENERGY LOSS PER DOCK POSITION	\$18.36		



Door and dock solutions

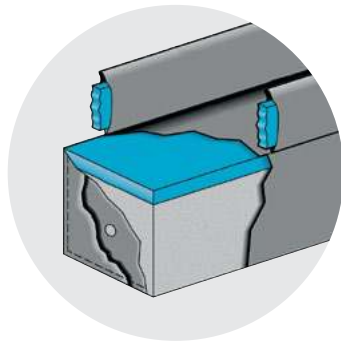
Each loading dock door opening represents a giant hole in the wall of your facility.

Strung together, these dock openings present an enormous opportunity for heating and cooling energy to escape — not to mention allowing rain, dirt and pests to get in.

Gap-Sealr™

Seals uneven surfaces between leveler and sectional door.

- » Constructed from SuperFlex fabric
- » High resiliency foam
- » Polyethylene strip installed
- » 2" thick foam
- » 8'2", 9'2", 10'2" standard sizes in stock



Gap-Sealr™ II

Seals uneven surfaces between leveler and sectional door.

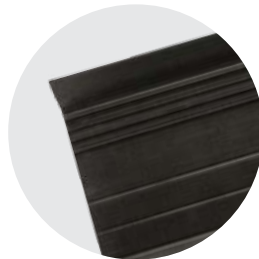
- » Constructed of flexible PVC
- » Extruded track for easy mounting
- » Standard retainer or "L" shaped available
- » Optional 2" or 3" brush length — ideal for food applications



Rite-Seal™

Seals door gaps when trailer is not present at the dock.

- » Side seals available in brush & vinyl
- » Top seal available in brush
- » 1", 2", 3" brush length
- » Easy mounting to door jamb or door track



Wedg-It™

Fills the gap between leveler, dock pit wall and bottom edge of sectional door.

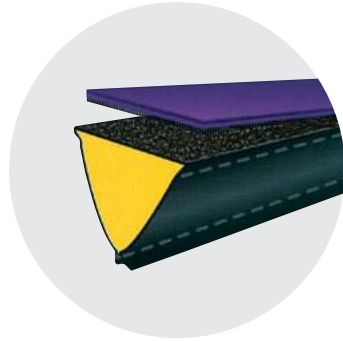


Door and dock solutions

Weather related product damage and contamination, facility cleanliness and passing inspections are all concerns related to protecting and controlling the loading dock environment. Anything a company can do to seal up these holes can have an immediate positive effect.

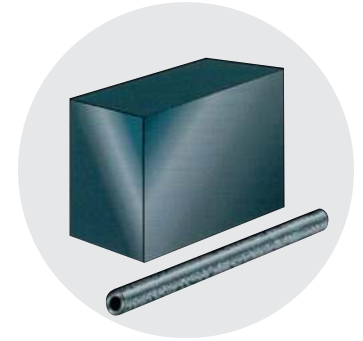
Standard Fabric Seal

- » 1 1/2" or 3/4" projection
- » Flexible foam covered with durable Hypalon fabric
- » Double stitched fold for added durability



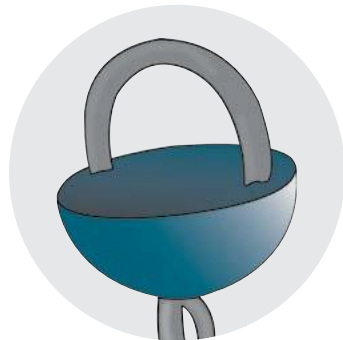
Rear Hinge Seal

- Seals gaps at back of leveler plate.
- » Fire retardant polyurethane foam
 - » 1/8" galvanized pipe
 - » Optional Hypalon wrapped Charseal



Lanyard Cup Weather Seal

- Stops air penetration through leveler lanyard cups.
- » Durable polyurethane material



Teardrop Weather Seal

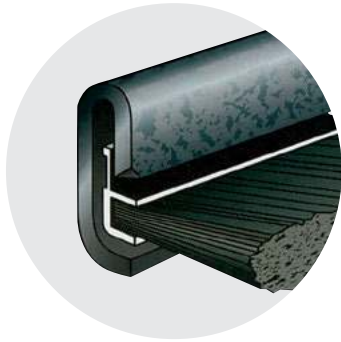
- » 40 oz. vinyl
- » Foam inner core



NB-1 Weather Seal

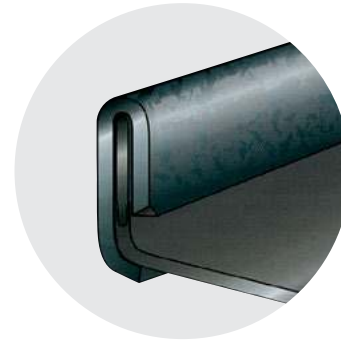
Conforms to rough, uneven surfaces.

- » Galvanized Channel
- » Nylon Brush



PT-2 Weather Seal

- » Galvanized channel
- » Plytex Strip



Complete the seal at your loading dock

You're already investing in a dock seal or shelter to control the environmental conditions at your dock doors — complete the job by sealing the fourth side with PitMaster™, the industry's best-selling under-leveler seal.

More energy saving and environmental control solutions

Zoneworks®

Divide large spaces and create separately-controlled environments with durable, flexible wall systems from Zoneworks. Ideal for temperature separation, humidity control, odor or dust containment, sound attenuation, and many other applications.



FasTrax® High Speed Doors

The safest, most efficient and reliable doors in the industry. Can match virtually any interior, exterior, high-wind, clean, cooler or freezer applications and reduce the complexity of maintaining multiple door models in one facility.



Industrial HVLS Fans

High volume low speed fans offer a year-round change in building environments — keeping people cooler in summer and warmer in winter, while reducing energy consumption and costs.



VHLS Vertical Leveler Seal

Designed for Rite-Hite vertical storing levelers, the VHLS provides a snug fit sealing open gaps beneath leveler when dock door is open — helping prevent loss of heating or cooling energy from the building.





Dock Shelters

Rite-Hite offers a full line of enclosures that seal the perimeter of the trailer — keeping the elements out and the heating or cooling of a facility in.



Improving industrial **safety**,
security, and **productivity**
worldwide through quality
and innovation.

- ▶ VEHICLE RESTRAINTS
- ▶ LOADING DOCK LEVELERS
- ▶ DOCK SEALS AND SHELTERS
- ▶ INDUSTRIAL DOORS
- ▶ HVLS FANS
- ▶ BARRIER SAFETY SYSTEMS
- ▶ MACHINE GUARDING SYSTEMS
- ▶ INDUSTRIAL CURTAIN WALLS

RITEHITE
ALWAYS LOOKING AHEAD

A19WSB0816H1

Milwaukee, Wisconsin, USA

www.ritehite.com

P 414-355-2600 (800-456-0600)

F 414-355-9248

Rite-Hite®, Gap-Seal™, Rite-Seal™, Wedg-It™, Zoneworks® and FasTrax® are trademarks of Rite-Hite Holding Corporation. Rite-Hite products are covered by one or more U.S. patents with other U.S. and foreign patents pending. The information herein is provided as a general reference only regarding the use of the applicable products. The specifications stated here are subject to change.