



# BELL 505

EXPERIENCE THE WORLD IN NEW WAYS



**Flying a Bell 505 is the closest you can be to  
having absolute freedom.**

**Cyrus Sigari**  
Bell 505 Pilot and Owner





mountainflyers.ch

40  
MOUNTAINFLYERS

DANGER



**Bell NC-1H, the World's first  
commercially certified  
helicopter, father of the  
Bell 47 series, with Floyd Carlson  
demonstrating its stability**

**Circa 1943**

---





## HISTORY

Thinking above and beyond is what we do. For more than 85 years, we've been reimagining the experience of flight — and where it can take us.

We are pioneers. We were the first to break the sound barrier and to certify a commercial helicopter. We were a part of NASA's first lunar mission and introduced tiltrotor systems to the world. Today, we're elevating the commercial helicopter market with advanced aircraft and technology.

Above all, our breakthrough innovations deliver exceptional experiences to our customers. Efficiently. Reliably. And always, with safety at the forefront.





RADIO CALL

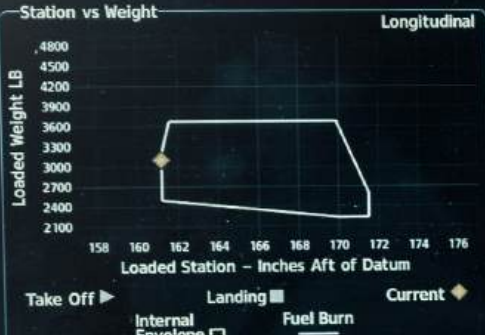
RPM

ACK ON OFF

GARMIN

NAV VOL ID  
PUSH 1-2  
HDG  
PUSH HDG SYNC

NAV 109.90 ↔ 113.00 POD GS \_\_\_ KT DTK \_\_\_ ° TRK \_\_\_ ° ETE \_\_\_ 118.200 ↔ 135.150 COM 116.0



Aircraft Weight and Balance  
Basic Empty Weight 2275LB Hook Weight 0LB  
Zero Fuel Weight 3105LB Current Weight \_\_\_LB  
Fuel on Board 188LB LAT Station \_\_\_IN  
Ramp Weight \_\_\_LB LONG Station \_\_\_IN  
Takeoff Weight \_\_\_LB  
Estimated Weight \_\_\_LB Fuel Reserves 70LB  
Est Landing Weight \_\_\_LB Excess Fuel \_\_\_LB

Press FOB Sync or enter Fuel on Board to confirm fuel.

Engine Graph Hook WT FOB Sync Config Confirm Checklist

COM EMERG VOL 50  
PUSH 1-2  
CRS BARO  
PUSH CRS CTR  
RANGE  
PUSH PAN  
MENU  
FPL PROC  
CLR ENT  
DEL MAP FMS

NAV VOL ID  
PUSH 1-2  
HDG  
PUSH HDG SYNC  
ALT



THIS AIRCRAFT IS APPROVED FOR

CLOSED VENT  
PUSH OFF INT LT

BLEED AIR  
PUSH TO CLOSE



## WELCOME TO THE BELL 505

Experience the most advanced, dynamic helicopter in its class. Designed by a collaborative team of pilots, maintainers and operators from around the world to deliver an unprecedented customer experience, the Bell 505 combines the latest avionics and engine power with world-renowned reliability, built over decades of success. Discover the world around you and the power of flight like never before. Whether taking the controls or watching from the passenger seat, enjoy a thrilling ride that can take you from white sand beaches to snow covered mountain peaks. Wherever you want to go, the Bell 505 is prepared to take you there at a moments notice.

---



**Especially in Switzerland, with all the mountains, a helicopter is much more spectacular to fly than a plane. You can land anywhere. You have many high-altitude landing zones and, when we do sightseeing flights, we can land at places around 10,000 ft or 13,000 ft, head to a mountain hut, and bring drinks and food to provide much more of an experience than with an airplane. We land either in the snow in the winter or, in the summer, we take off at 30° C and land up in the mountains where it is 5° C and enjoy this high-altitude environment in the middle of the mountains.**

**Christoph Graf**

Bell 505 Pilot and Owner









## BEYOND THE EVERYDAY

Access the places previously thought unreachable or even untouched. Hiking, fishing, skiing, biking, camping, golfing or just an afternoon picnic are made more exhilarating when you fly in a Bell 505. Set your aircraft atop a sand bar for the day or next to a remote mountain cabin for the night; the choices are endless when your need for an airport is eliminated. The large cabin easily reconfigures to bring the active or leisure gear you need, from tents and bicycles to hiking gear and everything in between. Make new memories and break the bonds of city streets while journeying beyond the everyday adventure.



**It seems like everywhere we went we always chartered a helicopter to get to what we wanted to see and it just made a natural progression to acquire a helicopter so we could see the nation and enjoy the areas that were hard to reach. A lot of people call it a time machine and I'll have to completely agree. To hop off the airplane and into the helicopter and 15 minutes later be in a location that would take you a day to get to by traveling its pretty awesome experience. It's a great way to disconnect and really connect with nature very quickly.**

**Rusty Robinson**

Bell 505 Pilot and Owner







mountainflyers.ch





## **TIME IS OF THE ESSENCE**

When no runway is required, head directly to your destination. Say goodbye to long drives from the airport and hello to stepping out of your aircraft and right into your mountainside cabin, forest campsite or beach front villa. Helicopters eliminate crowded terminals and lengthy ground transportation with their unique ability to land almost anywhere, ultimately delivering a much better vacation experience. Soar over crowded city streets or twisting mountain roads on your way to relaxation, and experience the best private, luxury transportation for you and your passengers.

---



**The cabin in the 505 is much more friendly for passengers; there's no question that they love it. The passengers feel much more involved and connected with no wall in the cockpit and their visibility is way better. The theater seating with higher seats is great. My kids love sitting in the back. They have lots of room, and they hook up the headsets to their tablets and just chill.**

**Neil Mclean**  
Bell 505 Pilot and Owner







CAUTION  
ENERGY ATTENUATING SEATS  
NO OBJECTS ALLOWED UNDER SEATS

TAIL ROTOR



## EXPERIENCE THE WORLD TOGETHER

One of the greatest joys of flight is experiencing it with someone else. Seeing the world together, unrestricted by physical boundaries, lets you observe the natural beauty in ways you never thought possible — in turn, making memories that are unforgettable. Each passenger is treated to panoramic views with the Bell 505's unique stadium seating design, ensuring each flight is more exciting than the last. After all, nothing comes close to cruising 500 feet above the ground in a Bell 505.

---

## TECHNICAL SPECIFICATIONS

	Metric	Imperial
Empty Weight	989 kg	2,180 lb
Internal Gross Weight	1,669 kg	3,680 lb
Useful Load	680 kg	1,500 lb
External Gross Weight	2,030 kg	4,475 lb
Hover Ceiling (In Ground Effect) <sup>1</sup>	4,404 m	14,450 ft
Hover Ceiling (Out of Ground Effect) <sup>1</sup>	3,188 m	10,460 ft
Service Ceiling <sup>1</sup>	5,672 m	18,610 ft
Max Cruise Speed <sup>1</sup>	231 km/hr	125 knots
Range (Cruise Speed, No Reserves) <sup>1</sup>	566 km	306 nm
Endurance (60 kts, No Reserves) <sup>1</sup>	3.9 hours	3.9 hours
Fuel Capacity (Jet A)	321 L	84.85 USG
Total Cabin Volume <sup>2</sup>	2.8 m <sup>3</sup>	99 ft <sup>3</sup>
Rear Cabin Volume	1.73 m <sup>3</sup>	61 ft <sup>3</sup>
Copilot Volume	1.08 m <sup>3</sup>	38 ft <sup>3</sup>
Baggage Compartment Volume	.51 m <sup>3</sup>	18 ft <sup>3</sup>

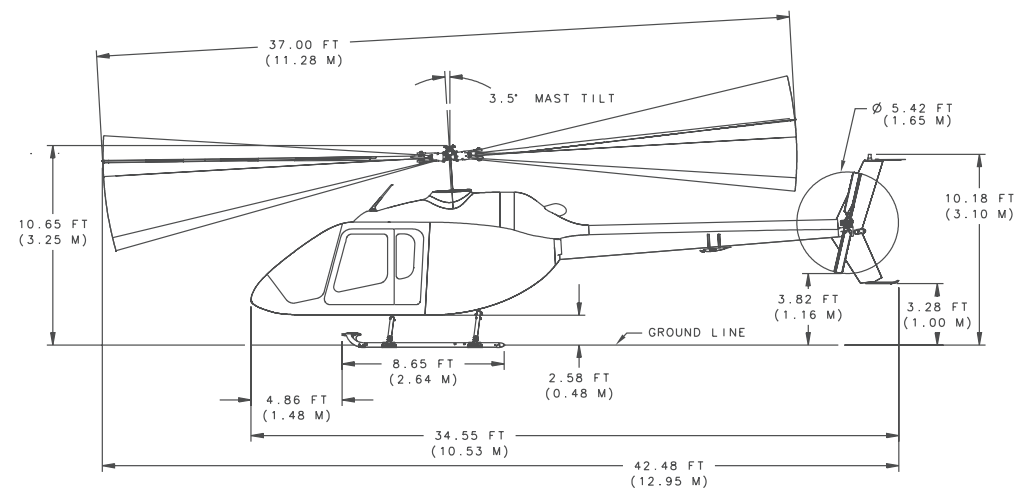
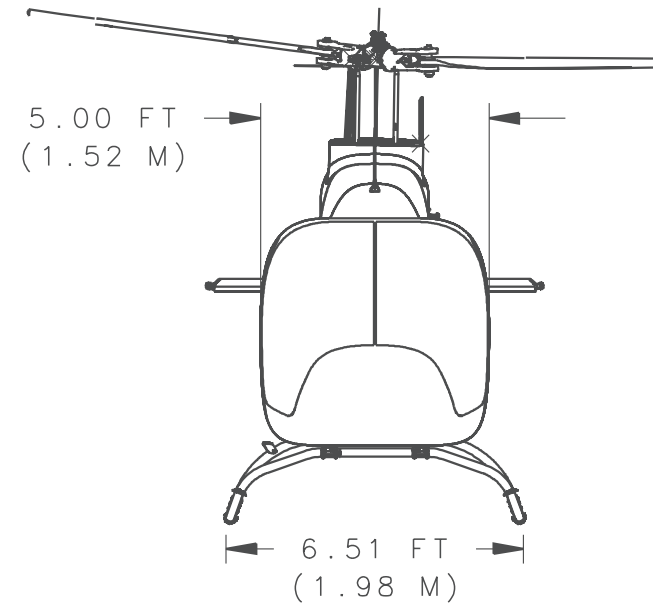
## Equipment

Engine	Safran HE Arrius 2R	
Type	Gas Turbine	
Takeoff Horsepower <sup>3</sup>	505 SHP	377 kW
Maximum Continuous Horsepower <sup>3</sup>	459 SHP	342 kW
Engine Control	Full Authority Digital Engine Control (FADEC)	

<sup>1</sup> Sea Level, ISA, Max Gross Weight

<sup>2</sup> Excluding Pilot Volume

<sup>3</sup> Uninstalled Thermodynamic Rating



<b>Avionics</b>	Garmin G1000H NXi Integrated Avionics Suite
<b>Display</b>	GDU 1050H 10.4 inch/26.4 cm High Resolution LED Displays
<b>Navigation</b>	WAAS GPS based Moving Map with Integrated Sectional Charts, IFR Low, IFR High, Helicopter Route Charts, and Airport Facility Diagrams
<b>Transponder</b>	Mode S Transponder with Extended Squitter (ES), ADS-B Out and Optional ADS-B In
<b>Communication</b>	GMA 350Hc Audio Panel with Bluetooth
<b>Situational Awareness</b>	Standard Traffic Information System (TIS-B) and Moving Map with Obstacles and Terrain Optional FIS-B Weather, Synthetic Vision, Helicopter Terrain Awareness Warning System (HTAWS), and Traffic
<b>Engine Instrument and Crew Alert System (EICAS)</b>	Integrated engine display using Bell patented Power Situation Indicator (PSI) and visual and aural crew alert system on Primary and Multifunction Displays
<b>Optional Autopilot</b>	Two and Three Axis Autopilot Available





**It's probably everyone's dream to fly and, if you're going to fly, there isn't a fixed wing pilot out there that wouldn't admit they want to or would love to fly helicopters.**

**Mark Taylor**

Bell 505 Pilot and Owner



mountainflyers.ch

DANGER

SWISS



WATCH THE BELL 505 IN ACTION

© 2022 Bell Textron Inc. All registered trademarks are the property of their respective owners. The information herein is general in nature and may vary with conditions. Individuals using this information must exercise their independent judgment in evaluating product selection and determining product appropriateness for their particular purpose and requirements. For performance data and operating limitations for any specific mission, reference must be made to the approved flight manual. CML\_505 HNW Book\_Switzerland\_11x8.5in\_050422-R00