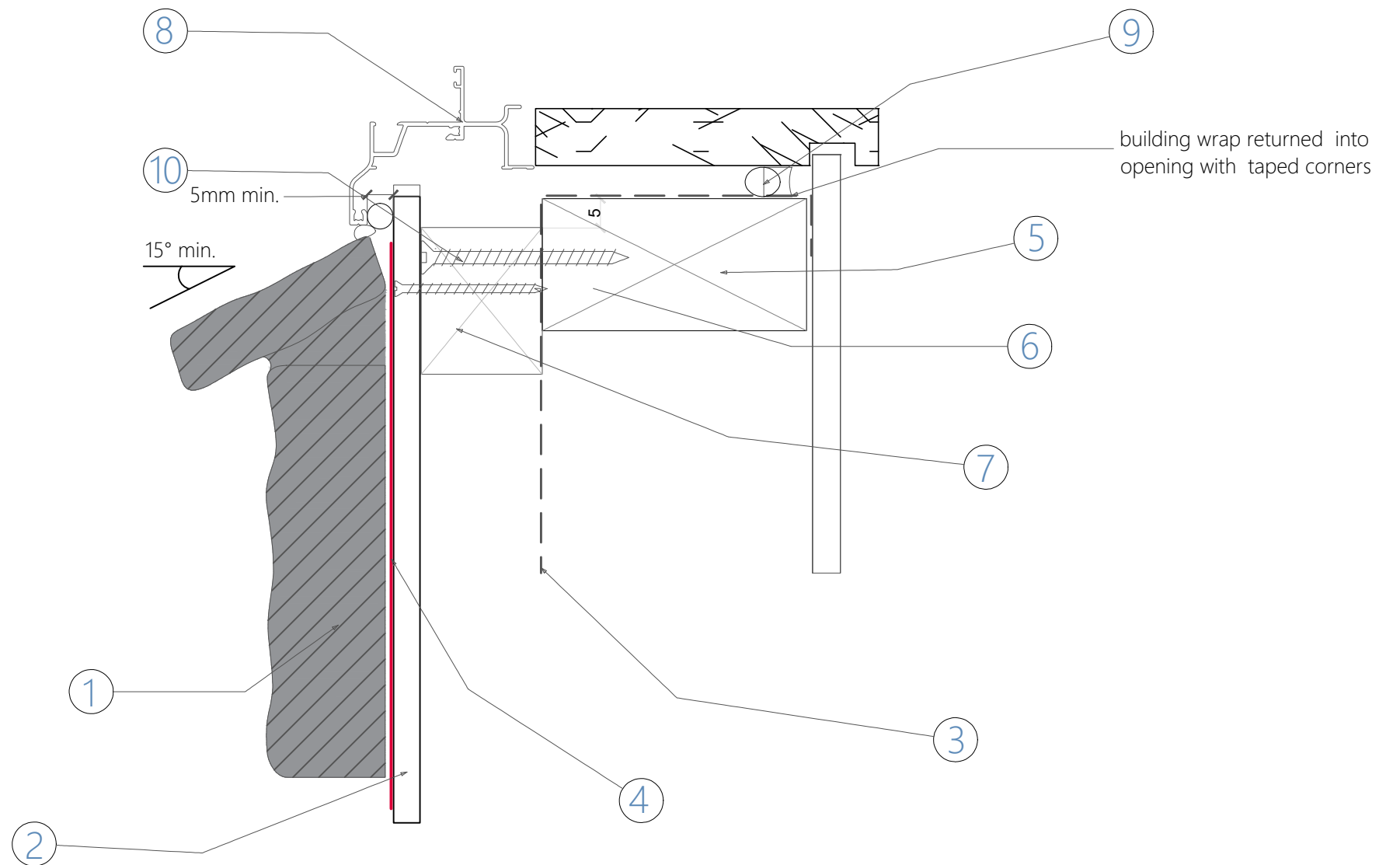


1	Stone Cladding 40mm
2	Eterpan Base, 9mm
3	Building Wrap, RAB or other E2/AS1 compliant system
4	Mapelastic Smart Waterproofing Membrane
5	Timber Framing
6	Screw Detail For use with building wrap Screw SS, 10g, 35mm Coastal- 316 Non Coastal- 304 For use with Rigid Air Barrier (7mm Ecoply or similar) Screw SS, 10g, 35mm Coastal- 316 Non Coastal- 304
7	Cavity Batten 40-45x40-45mm, Nogs/Dwangs to be inclined 5°
8	Window System (propriety)
9	Foam Air Seal
10	Structural 40mm Batten Fixing by Engineer



#### INTELLECTUAL PROPERTY NOTICE

1. **PEDRACLAD®** and related materials are owned by Stone Cladding Systems Limited and are protected by international copyright, trademark, design and other intellectual property and proprietary rights.
2. Unauthorised use or alteration is prohibited without express permission from Stone Cladding Systems Limited or Island Stone NZ Ltd as its designated agent.
3. The information contained in these drawings is intended exclusively for use with ISNZ/NSC supplied products or authorised agents as part of a total system.
4. **STONE CLADDING SYSTEMS LIMITED** provides no certification, guarantee, indemnity or warranty in respect of the information contained herein if used with any non ISNZ/NSC supplied product without **PEDRACLAD®** permission.
5. Any use of this information beyond the purpose for which it was intended is strictly prohibited including the use in unauthorised projects or in conjunction with non ISNZ/NSC products and may result in legal action.

Max. wet weight of stone <b>80kg</b>	Max. wet weight of stone <b>100kg</b>
Studs @ max. <b>600mm</b> crs	Studs @ max. <b>400mm</b> crs
Nogs @ max. <b>800mm</b> crs	Nogs @ max. <b>800mm</b> crs
Screws to all framing @ max. <b>150mm</b> crs	Screws to all framing @ max. <b>150mm</b> crs

Drawing:	40-45mm: Window Flush Mounted - Sill	PEDRACLAD® STONE CLADDING INSTALLATION SYSTEMS	Scale:	NTS @ A3
Drawing Number:	28		Licensed to Island Stone NZ Ltd and The Natural Stone Co.	Sheet Details:
			Date:	11-May-26