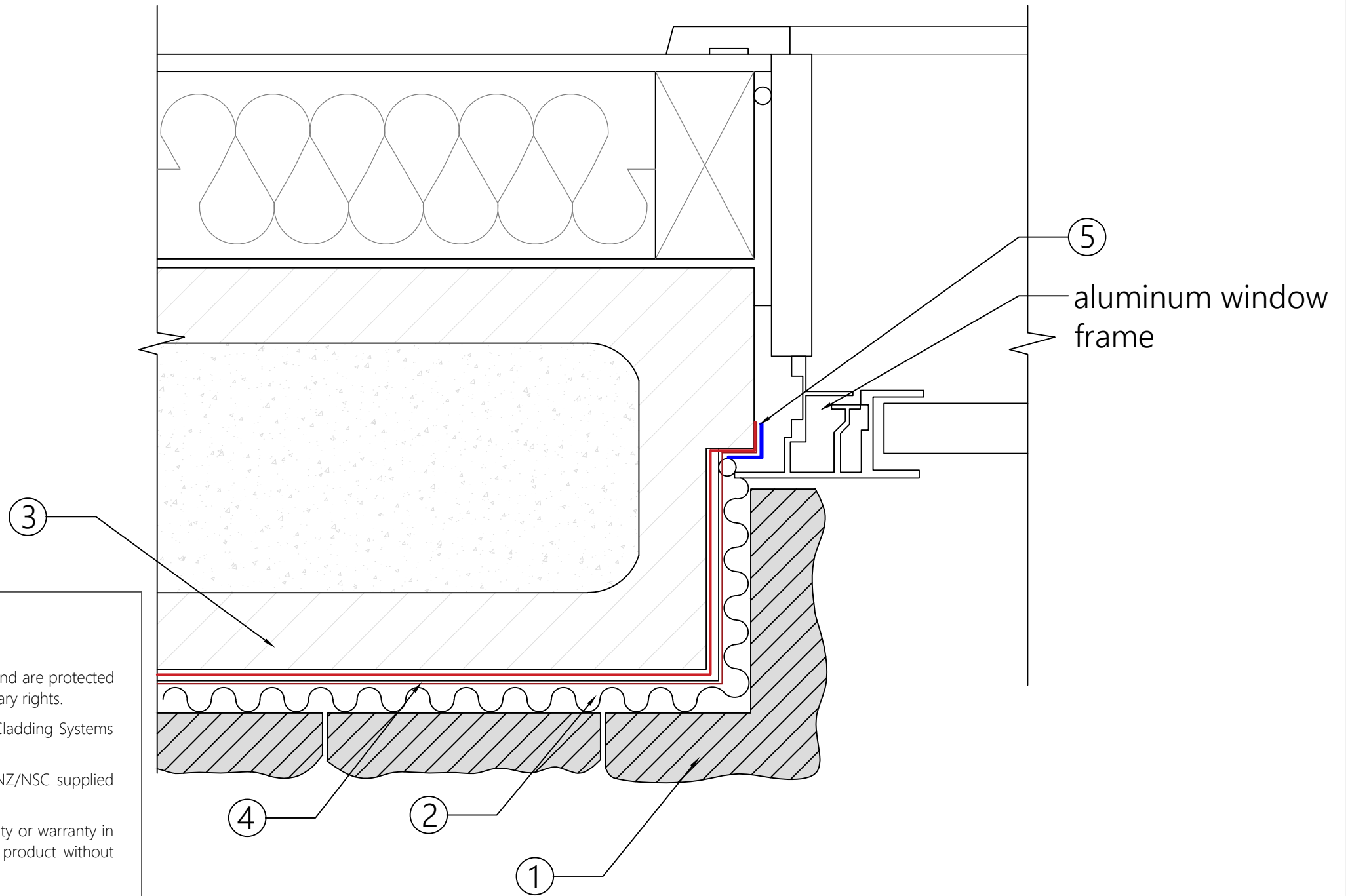


1	Stone Cladding 40mm
2	Directly adhered Kerabond & Isolastic or Technostar & TC Lastic
3	Masonry Block / In Situ Concrete / Tilt Slab
4	Mapelastic Smart Waterproofing System w/ Mapeband SA or Technokolla Rasolastic & RL80 Bandage
5	Sealant PU or Similar to Stone Window and Junction or alternative powder coating flashing



INTELLECTUAL PROPERTY NOTICE

1. **PEDRACLAD®** and related materials are owned by Stone Cladding Systems Limited and are protected by international copyright, trademark, design and other intellectual property and proprietary rights.
2. Unauthorised use or alteration is prohibited without express permission from Stone Cladding Systems Limited or Island Stone NZ Ltd as its designated agent.
3. The information contained in these drawings is intended exclusively for use with ISNZ/NSC supplied products or authorised agents as part of a total system.
4. **STONE CLADDING SYSTEMS LIMITED** provides no certification, guarantee, indemnity or warranty in respect of the information contained herein if used with any non ISNZ/NSC supplied product without **PEDRACLAD®** permission.
5. Any use of this information beyond the purpose for which it was intended is strictly prohibited including the use in unauthorised projects or in conjunction with non ISNZ/NSC products and may result in legal action.

Drawing:	Window Flush Mounted - Jamb - Stone to Masonry (Horizontal Section)	PEDRACLAD® STONE CLADDING INSTALLATION SYSTEMS	Scale:	NTS @ A3
Drawing Number:	51	Licensed to Island Stone NZ Ltd and The Natural Stone Co.	Sheet Details:	S-01
			Date:	12-May-26