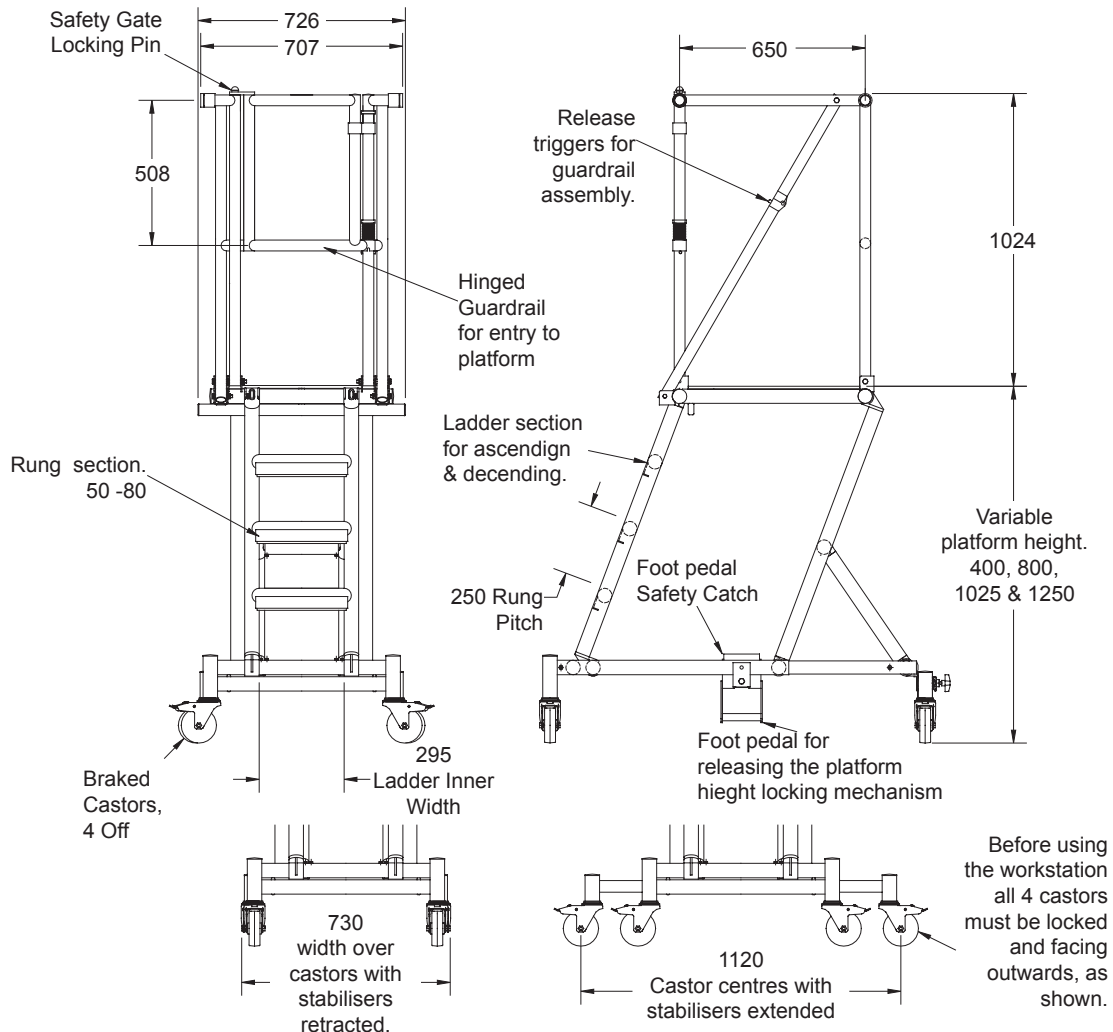


Low Level Platform LL125

Date 31/1/05
Issue A

Note: All dimensions in mm unless otherwise stated.



Materials

- | | |
|----------------------------------|---|
| Ø50.8mm Extruded Aluminium Tube | - Base Assembly |
| Ø38.1mm Extruded Aluminium Tube | - Guardrail Assembly |
| 50mm x 20mm Extruded Box-Section | - Platform Stiles |
| 10mm Thick Wisadeck Board | - Platform |
| Alloy Castings | - Locking Joints, Swivel Casting, Tee-Casting |
| Aluminium Pressings | - Base-to-Guardrail Hinges |
| Injection-Moulded Nylon | - Castor Wheel fitted to Base Assembly |

Notes

Maximum Safe Working Height 2.75m. Based on shoulder height of 1.5m. (*) See note.
 Maximum Safe Working Load 150kg (one person + tools + materials)
 Weight (including all 4 castors) 38kg
 Platform Dimensions 604mm x 600mm

(*) Greater working heights are possible. E.g. When working overhead on ceilings, but you should never overreach.

Never climb on the workstation without fully extending the stabilisers.

Never apply forces greater than 10Kg sideways or 20Kg when facing forwards.

All castors must be locked in position, facing outwards as shown, before using the workstation.

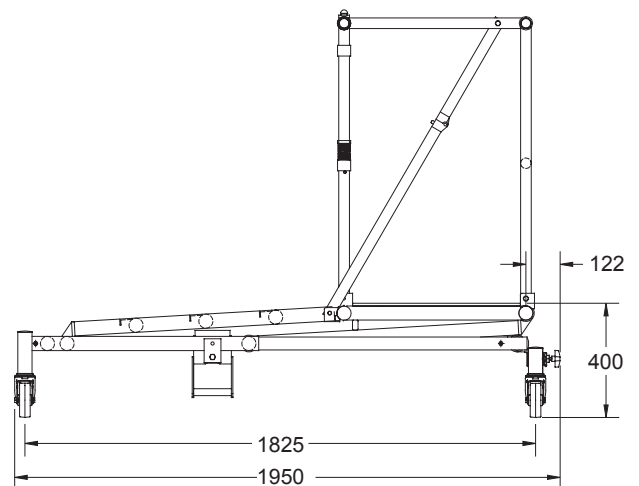
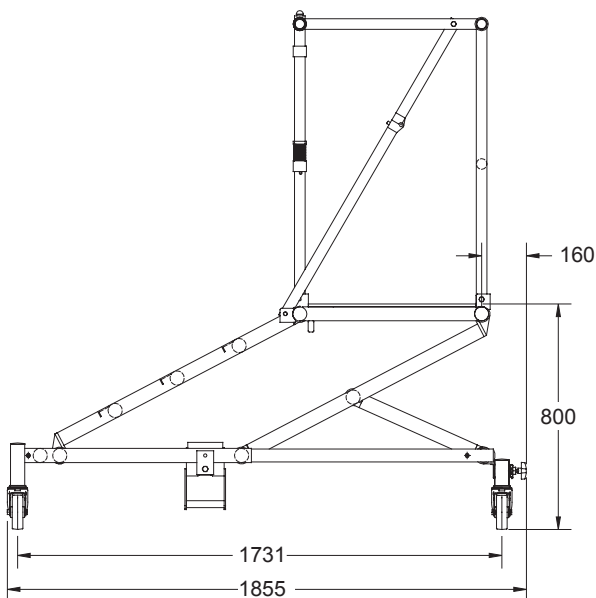
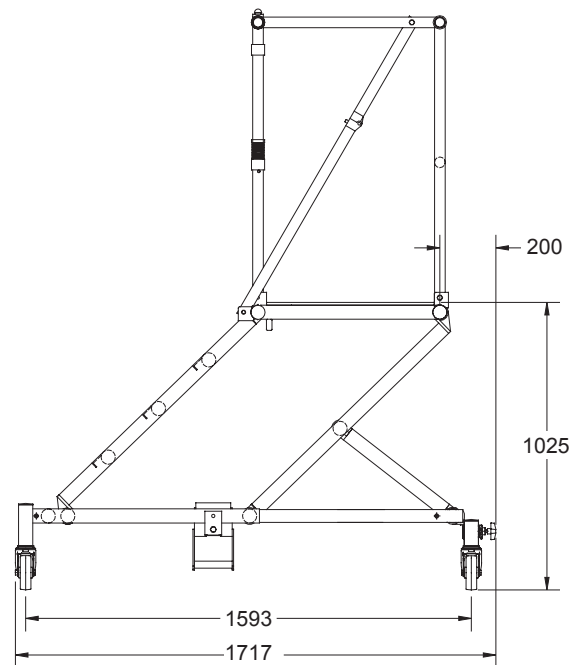
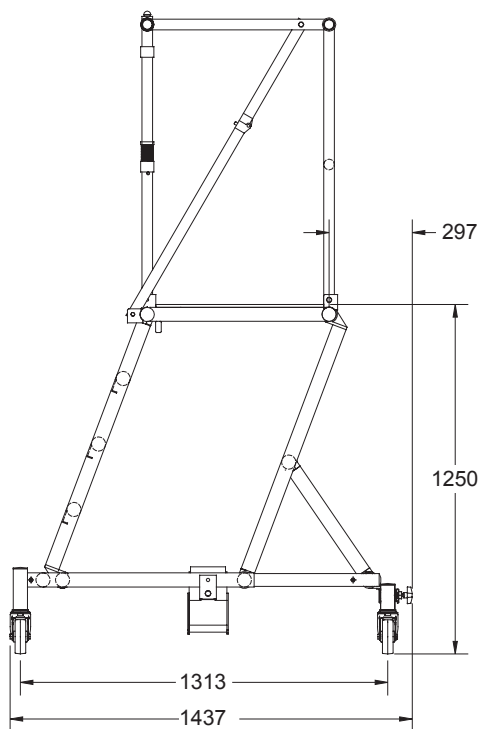
Low Level Platform LL125

Date 31/1/05
Issue A

Note: All dimensions in mm unless otherwise stated.

(*) Greater working heights are possible. E.g. When working overhead, but you should never overreach.

Platform Height	Safe Working Height (*) See note
1250	2750
1025	2750
800	2300
400	1900

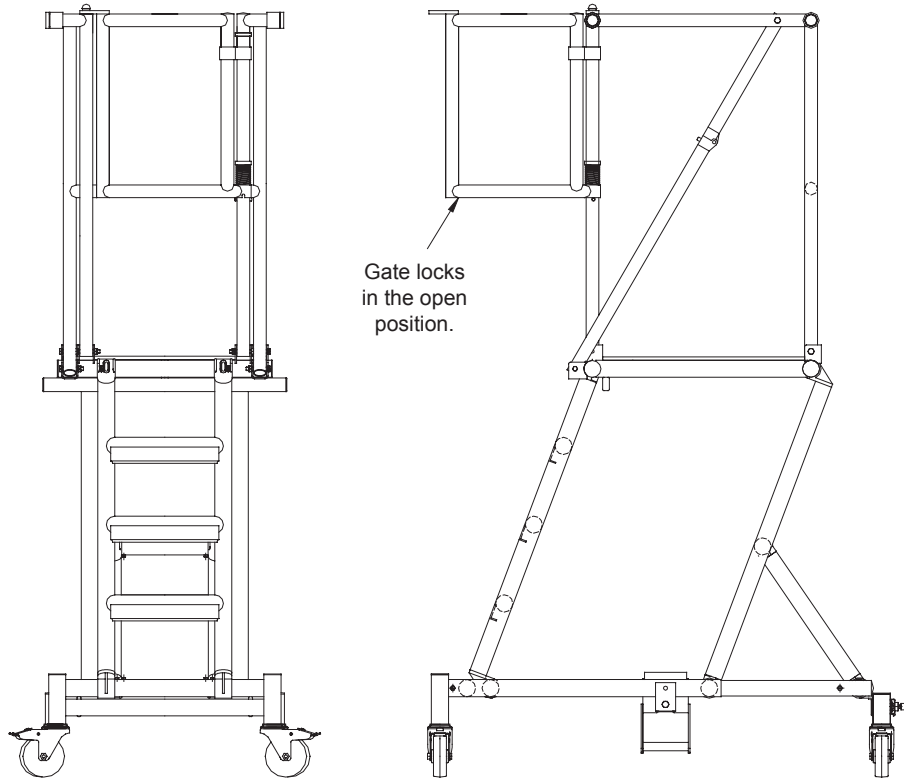


Low Level Platform LL125

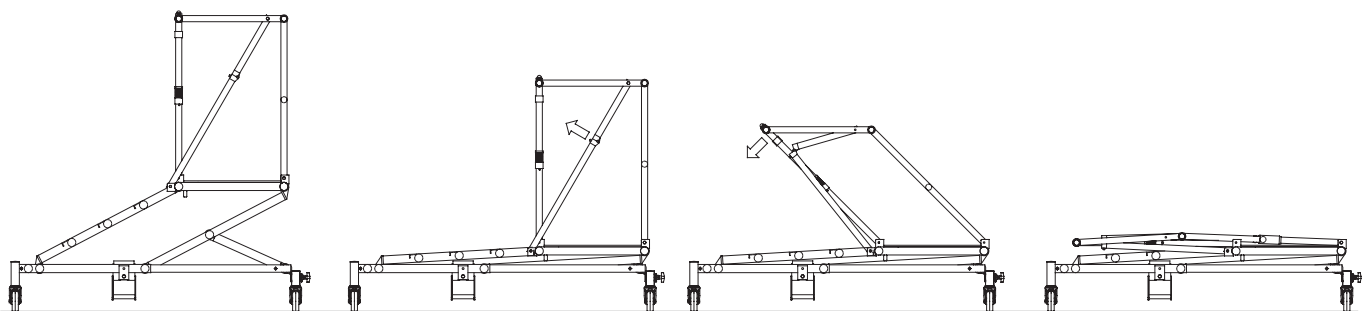
Date 31/1/05
Issue A

Note: All dimensions in mm unless otherwise stated.

Guardrail Gate Details



Collapsing of unit for storage or transport.



Unit collapsed for storage.

