



mobile.experiential

# THE FUTURE OF MOBILE SPACES

THE MRA EXPANDABLE CONTAINER

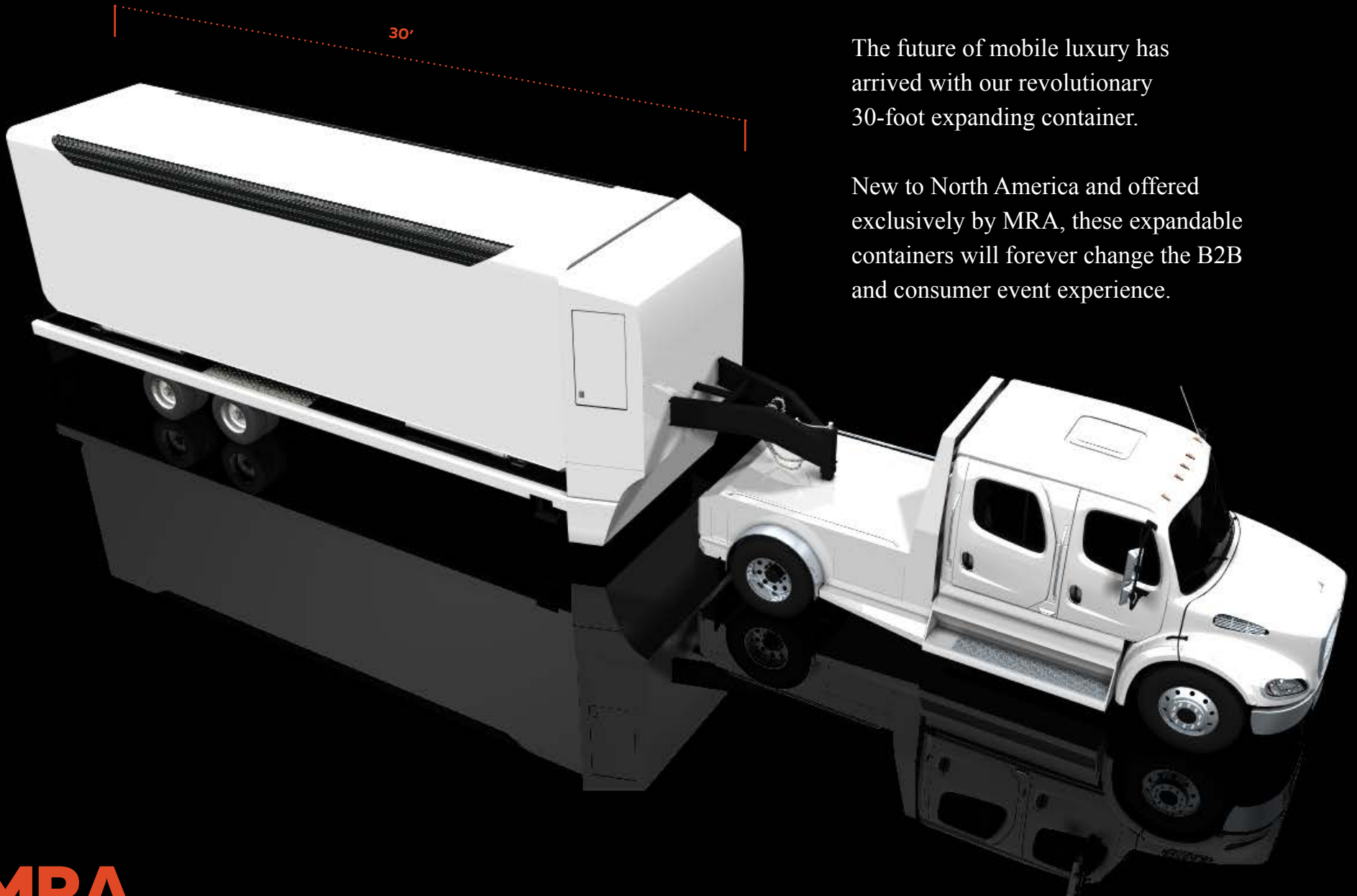


[GOMRA.COM](http://GOMRA.COM)

## THE MRA EXPANDABLE CONTAINER

The future of mobile luxury has arrived with our revolutionary 30-foot expanding container.

New to North America and offered exclusively by MRA, these expandable containers will forever change the B2B and consumer event experience.



## READY FOR WHATEVER YOU HAVE IN STORE

With two versions available, there's no limit to the experiences you can create.

The standard unit includes solid walls to provide more exhibit space and privacy, while the upgraded model includes continuous glass and automatic sliding doors for an elevated form of luxury.



### STANDARD MODEL

The standard container can be easily transported and set up on site within just 15 minutes.

With its compact design, the container is particularly suitable for product presentations.



### GLASS MODEL

The upgraded container also includes enhanced styling with continuous glass and automatic sliding doors. This provides even more real estate for graphics and branding.



## LUXURIOUS DESIGN

With high-end touches and conceptual designs, these expandable containers have been created to provide a mobile experience that is as attractive as it is convenient.





## FULLY CUSTOMIZABLE

Get a completely customized experience both inside and out, including glass walls, sliding doors, height, and more. Contact us today to see how we can create the right fit for your needs.





## EASY SET-UP

You don't have to be an engineer to operate our expandable containers. Thanks to their hydraulic system and handy wireless remote control, these containers are easily set up and ready to use within just 15 minutes.



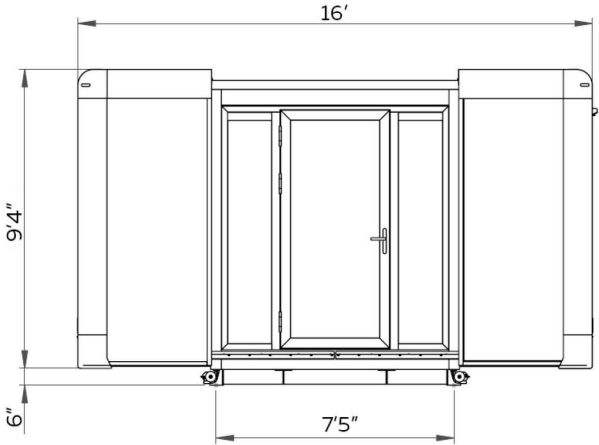
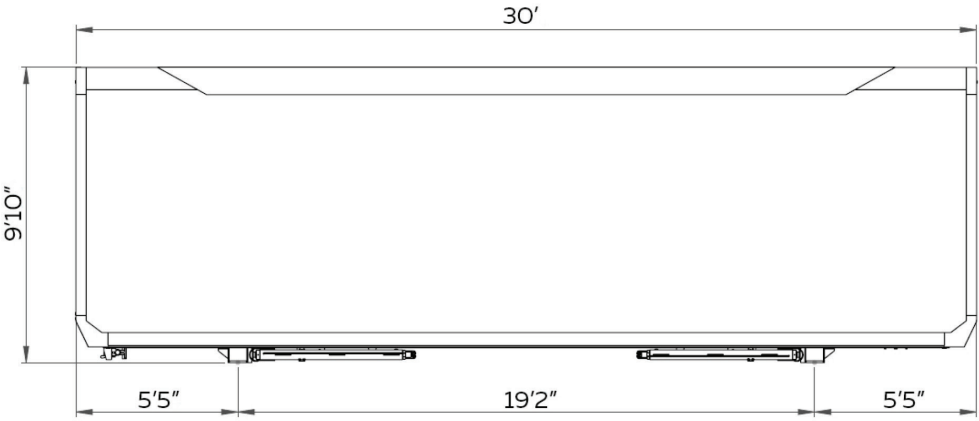
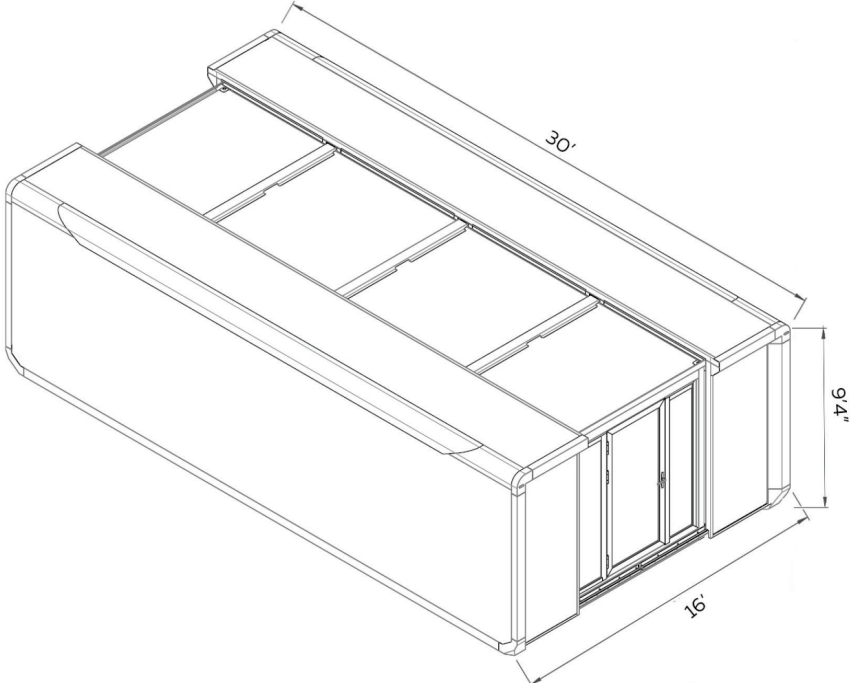
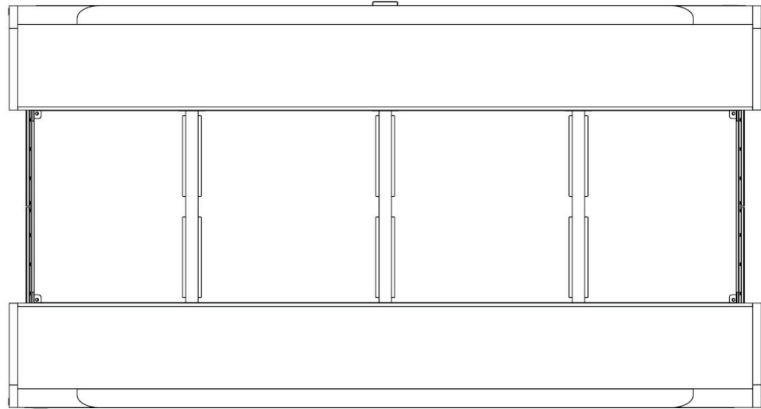


## MAXIMIZED SPACE

Compact during transportation, the container expands to 452 square feet once extended. The chassis is equipped with four twist locks, allowing the container to be transported easily and safely by our custom trailers.



# SPECIFICATIONS





“  
**THIS IS THE FUTURE  
OF MOBILE LUXURY.**



mobile.experiential

# GET IN TOUCH

Want to learn more about our unique expandable containers?

Visit [gomra.com](https://gomra.com) today.