

130G EXCAVATOR

14 348–14 589-kg (31,604–32,134-lb.) Operating Weight



JOHN DEERE



Your next big thing.

Whether you're moving up from a backhoe to an excavator as you build your business. Or, adding an agile niche machine to your fleet that's just the right size — our 130G will meet your expanding needs. Rugged EPA Final Tier 4 (FT4)/EU Stage IV PowerTech™ diesel engine meets rigid emission regulations, enabling you to work, wherever there's work — without compromising power, reliability, or ease of operation.



Specifications	130G
Net rated power	73 kW (98 hp)
Operating weight	14 348 kg (31,604 lb.) without blade / 14,589 kg (32,134 lb.) with blade
Maximum digging depth	6.03 m (19 ft. 9 in.)
Maximum arm digging force	60 kN (13,521 lb.)
Maximum bucket digging force	96 kN (21,480 lb.)

The image shows the interior of a tractor cab, viewed from the driver's perspective. The seat is grey fabric. In the foreground, there is a black gear shifter with a red hand. The dashboard is black with several warning labels, including one that says "DANGER". The steering wheel is partially visible on the left. The background shows the tractor's hood and engine compartment, which are yellow.

Put operating ease on speed dial.

Now it's easier than ever for you to "dial things up." The 130G's enhanced monitor employs a rotary control that makes it quick and easy to tap into an abundance of performance and convenience functions and features. Operators will also appreciate the spacious well-appointed cab, virtually unobstructed all-round visibility, and numerous other amenities that provide everything they need to do their best work.



New hood design ensures optimal visibility to the sides and rear, even with the increased under-the-hood space requirements of EPA Final Tier 4 (FT4)/EU Stage IV engine components.

We've got your back with a sculpted mechanical-suspension high-back seat with 318 mm (12½ in.) of travel, sliding together or independent of the joystick console. So it won't cramp an operator's style. For even more support and comfort, opt for the air-suspension heated seat.

Go from backhoe- to SAE-style controls with just a twist of your wrist. Optional lockable control-pattern selector valve comes factory installed.

No need to leave the seat to match hydraulic flow to your attachment. Changes are push-button easy and done through the monitor.

Standard boom/frame lights and cab/boom-mounted options provide illumination to extend your workday beyond normal daylight hours.

1. Multi-language LCD monitor and rotary dial provide intuitive access to a wealth of information and functions. Just turn and tap to select work mode, access operating info, check maintenance intervals, source diagnostic codes, adjust cab temperature, and tune the radio. Plus much more.
2. Ergonomically correct short-throw pilot joysticks provide smooth, precise fingertip control with less movement or effort. Push buttons in the right-side lever allow predictable control of auxiliary hydraulic flow for operating attachments. Optional sliding switch provides proportional speed control, giving you full command at your fingertips.
3. Automatic, high-velocity bi-level climate-control system with automotive-style adjustable louvers helps keep the glass clear and the cab comfortable.



130G

Engine	130C		
	<i>Base engine for use in the U.S., U.S. Territories, and Canada</i>		<i>Optional engine for use outside the U.S. and U.S. Territories</i>
Manufacturer and Model	John Deere PowerTech™ PWS 4.5L		John Deere 4045H
Non-Road Emission Standard	EPA Final Tier 4/EU Stage IV		EPA Tier 3/EU Stage IIIA
Net Rated Power (ISO 9249)	73 kW (98 hp) at 2,000 rpm		69 kW (93 hp) at 2,000 rpm
Cylinders	4		4
Displacement	4.5 L (275 cu. in.)		4.5 L (275 cu. in.)
Off-Level Capacity	70% (35 deg.)		70% (35 deg.)
Aspiration	Turbocharged, air-to-air charge-air cooler		Turbocharged, air-to-air charge-air cooler
Cooling			
Cool-on-demand suction-type fan			
Powertrain			
2-speed propel with automatic shift			
Maximum Travel Speed			
Low	3.3 km/h (2.1 mph)		
High	5.5 km/h (3.4 mph)		
Drawbar Pull	11 217 kg (24,729 lb.)		
Hydraulics			
Open center, load sensing			
Main Pumps			
2 variable-displacement axial-piston pumps			
Maximum Rated Flow	105 L/m (28 gpm) x 2		
Pilot Pump			
1 gear			
Maximum Rated Flow	32.9 L/m (8.7 gpm)		
Pressure Setting	3930 kPa (570 psi)		
System Operating Pressure			
Circuits			
Implement	34 336 kPa (4,980 psi)		
Travel	34 336 kPa (4,980 psi)		
Swing	32 300 kPa (4,685 psi)		
Power Boost	36 300 kPa (5,265 psi)		
Controls			
Pilot levers, short stroke, low-effort hydraulic pilot controls with shutoff lever			
Cylinders			
	<i>Bore</i>	<i>Rod Diameter</i>	<i>Stroke</i>
Boom (2)	105 mm (4.13 in.)	70 mm (2.76 in.)	941 mm (37.05 in.)
Arm (1)	115 mm (4.53 in.)	80 mm (3.15 in.)	1135 mm (44.70 in.)
Bucket (1)	100 mm (3.94 in.)	70 mm (2.76 in.)	875 mm (34.45 in.)
Electrical			
Number of Batteries (12 volt)	2		
Battery Capacity	750 CCA		
Alternator Rating	100 amp		
Work Lights	2 halogen (1 mounted on boom, 1 on frame)		
Undercarriage			
Rollers (per side)			
Carrier	1		
Track	7		
Shoes (per side)	44		
Track			
Adjustment	Hydraulic		
Guides	None		
Chain	Sealed and lubricated		
Ground Pressure			
Triple Semi-Grouser Shoes	<i>Without Blade</i>	<i>With Blade</i>	
600 mm (24 in.)	38 kPa (5.51 psi)	37.12 kPa (5.38 psi)	
700 mm (28 in.)	32 kPa (4.64 psi)	37.74 kPa (5.47 psi)	
600-mm (24 in.) Rubber Crawler Pad	28 kPa (4.06 psi)	34.69 kPa (503 psi)	



Swing Mechanism	130G
Speed	13.3 rpm
Torque	33 000 Nm (24,265 lb.-ft.)

Serviceability

Refill Capacities

Fuel Tank	285 L (75.3 gal.)
Cooling System	23.5 L (24.8 qt.)
Engine Oil with Filter	17 L (18.0 qt.)
Hydraulic Tank	69 L (18.2 gal.)
Hydraulic System	185 L (48.9 gal.)
Gearbox	
Swing	3.2 L (3.4 qt.)
Propel (each)	4.0 L (4.2 qt.)
Diesel Exhaust Fluid (DEF) Tank	26.7 L (28.2 qt.)

Operating Weights

With full fuel tank; 79-kg (175 lb.) operator; 914-mm (36 in.), 0.50-m³ (0.65 cu. yd.), 414-kg (913 lb.) general-purpose bucket; 3.01-m (9 ft. 11 in.) arm; and 2350-kg (5,181 lb.) counterweight

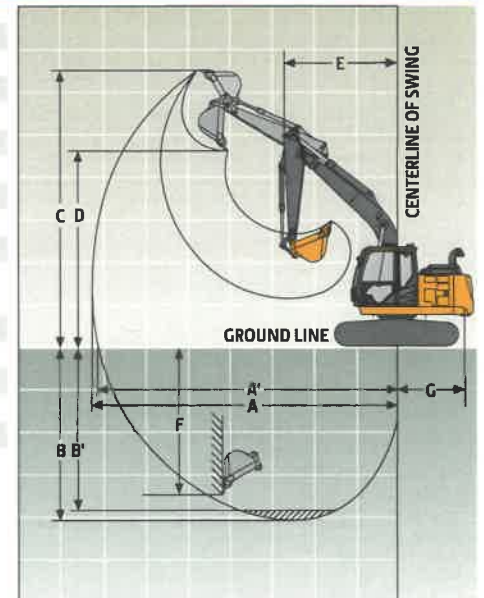
Operating Weights	Without Blade	With Blade
600 mm (24 in.) Triple Semi-Grouser Shoes	14 110 kg (31,079 lb.)	14 351 kg (31,610 lb.)
700 mm (28 in.) Triple Semi-Grouser Shoes	14 348 kg (31,604 lb.)	14 589 kg (32,134 lb.)
600-mm (24 in.) Rubber Crawler Pad	13 170 kg (29,009 lb.)	13 411 kg (29,540 lb.)

Optional Components

Undercarriage	Without Blade	With Blade
600 mm (24 in.) Triple Semi-Grouser Shoes	3845 kg (8,469 lb.)	4086 kg (9,000 lb.)
700 mm (28 in.) Triple Semi-Grouser Shoes	4083 kg (8,993 lb.)	4324 kg (9,524 lb.)
600-mm (24 in.) Rubber Crawler Pad	2905 kg (6,399 lb.)	3146 kg (6,930 lb.)
1-Piece Boom (with arm cylinder)	988 kg (2,176 lb.)	
Arm with Bucket Cylinder and Linkage		
2.52 m (8 ft. 3 in.)	431 kg (949 lb.)	
3.01 m (9 ft. 11 in.)	501 kg (1,104 lb.)	
Boom-Lift Cylinders (2), Total Weight	436 kg (960 lb.)	

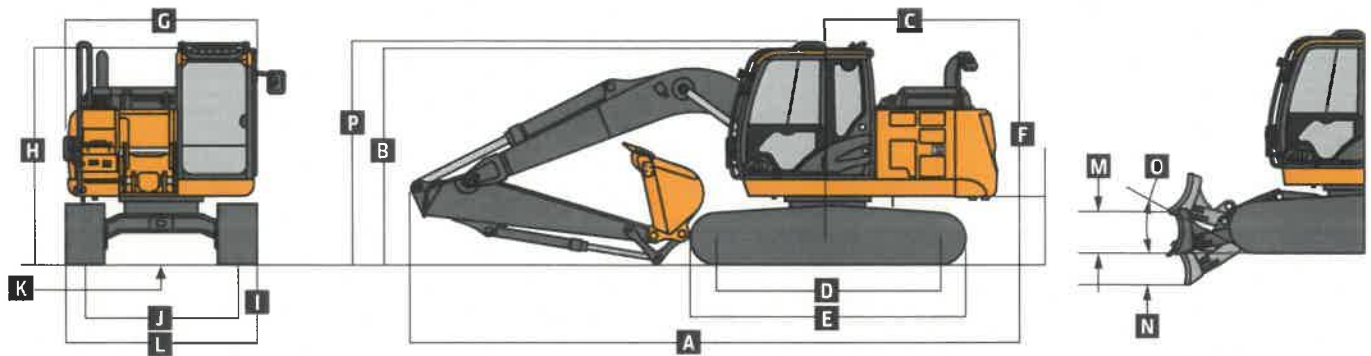
Operating Dimensions

Arm Length	2.52 m (8 ft. 3 in.)	3.01 m (9 ft. 11 in.)
Arm Digging Force		
SAE	65 kN (14,611 lb.)	59 kN (13,167 lb.)
ISO	67 kN (15,066 lb.)	60 kN (13,521 lb.)
Bucket Digging Force		
SAE	85 kN (19,015 lb.)	85 kN (19,015 lb.)
ISO	96 kN (21,480 lb.)	96 kN (21,480 lb.)
A Maximum Reach	8.32 m (27 ft. 4 in.)	8.77 m (28 ft. 9 in.)
A' Maximum Reach at Ground Level	8.20 m (26 ft. 11 in.)	8.67 m (28 ft. 5 in.)
B Maximum Digging Depth	5.54 m (18 ft. 2 in.)	6.03 m (19 ft. 9 in.)
B' Maximum Digging Depth at 2.44-m (8 ft. 0 in.) Flat Bottom	5.35 m (17 ft. 7 in.)	5.88 m (19 ft. 3 in.)
C Maximum Cutting Height	8.60 m (28 ft. 3 in.)	8.93 m (29 ft. 4 in.)
D Maximum Dumping Height	6.19 m (20 ft. 4 in.)	6.52 m (21 ft. 5 in.)
E Minimum Swing Radius	2.40 m (7 ft. 10 in.)	2.62 m (8 ft. 7 in.)
F Maximum Vertical Wall	5.02 m (16 ft. 6 in.)	5.50 m (18 ft. 1 in.)
G Tail-Swing Radius	2.19 m (7 ft. 2 in.)	2.19 m (7 ft. 2 in.)



Machine Dimensions		130G	
Arm Length	2.52 m (8 ft. 3 in.)	3.01 m (9 ft. 11 in.)	
A Overall Length	7.70 m (25 ft. 3 in.)	7.71 m (25 ft. 4 in.)	
B Overall Height	2.75 m (9 ft. 0 in.)	2.74 m (9 ft. 0 in.)	
C Rear-End Length/Swing Radius	2.19 m (7 ft. 2 in.)		
D Distance Between Idler/Sprocket Centerline	2.88 m (9 ft. 5 in.)		
E Undercarriage Length	3.58 m (11 ft. 9 in.)		
F Counterweight Clearance	840 mm (33 in.)		
G Upperstructure Width	2.46 m (8 ft. 1 in.)		
H Cab Height	2.79 m (9 ft. 2 in.)		
I Track Width with Triple Semi-Grouser Shoes	600 mm (24 in.) / 700 mm (28 in.)		
J Gauge Width	1.99 m (6 ft. 6 in.)		
K Ground Clearance	410 mm (16 in.)		
L Overall Width with Triple Semi-Grouser Shoes			
600 mm (24 in.)	2.59 m (8 ft. 6 in.)		
700 mm (28 in.)	2.69 m (8 ft. 10 in.)		
M Blade Lift Height	523 mm (21 in.)		
N Blade Cut Below Grade	488 mm (19 in.)		
O Blade Lift Angle	27 deg.		
Blade Length	2.51 m (8 ft. 3 in.)		
Blade Height	523 mm (21 in.)		
Blade Width with Triple Semi-Grouser Shoes			
600 mm (24 in.)	2590 mm (8 ft. 6 in.)		
700 mm (28 in.)	2690 mm (8 ft. 10 in.)		
P Transport Height*	2.87 m (9 ft. 5 in.)		

*Pin in transport position.



Lift Capacities

Boldface type indicates hydraulically limited capacity; **lightface type** indicates stability-limited capacities, in kg (lb.). Ratings at bucket lift hook; machine equipped with 414-kg (913 lb.) general-purpose bucket, 2350-kg (5,181 lb.) standard counterweight, and standard gauge; and situated on firm, level, uniform supporting surface. Total load includes weight of cables, hook, etc. Figures do not exceed 87 percent of hydraulic capacities or 75 percent of weight needed to tip machine. All lift capacities are based on ISO 10567 (with power boost).

HORIZONTAL DISTANCE FROM CENTERLINE OF ROTATION

LOAD POINT HEIGHT	1.5 m (5 ft.)		3.0 m (10 ft.)		4.5 m (15 ft.)		6.0 m (20 ft.)		7.5 m (25 ft.)	
	Over Front	Over Side	Over Front	Over Side	Over Front	Over Side	Over Front	Over Side	Over Front	Over Side
<i>With 2.52-m (8 ft. 3 in.) arm and 600-mm (24 in.) triple semi-grouser shoes, without blade</i>										
4.5 m (15 ft.)					3250 (7,050)	3250 (7,050)	3000 (6,000)	2050 (4,400)		
3.0 m (10 ft.)			5550 (11,900)	5550 (11,900)	4050 (8,700)	3250 (7,000)	3000 (6,450)	2000 (4,250)		
1.5 m (5 ft.)			7750 (17,700)	5700 (12,250)	4650 (10,000)	3000 (6,500)	2900 (6,250)	1900 (4,100)		
Ground Line			6150 (14,350)	5400 (11,600)	4450 (9,600)	2850 (6,150)	2800 (6,050)	1800 (3,900)		
-1.5 m (-5 ft.)	4300 (9,700)	4300 (9,700)	8850 (19,150)	5350 (11,500)	4400 (9,450)	2800 (6,000)	2800 (6,000)	1800 (3,850)		
-3.0 m (-10 ft.)	8200 (18,550)	8200 (18,550)	7550 (16,250)	5450 (11,700)	4450 (9,550)	2850 (6,100)				
<i>With 2.52-m (8 ft. 3 in.) arm and 600-mm (24 in.) triple semi-grouser shoes, blade on ground</i>										
4.5 m (15 ft.)					3250 (7,050)	3250 (7,050)	3000 (6,000)	2250 (4,800)		
3.0 m (10 ft.)			5550 (11,900)	5550 (11,900)	4050 (8,700)	3500 (7,550)	3450 (7,500)	2150 (4,650)		
1.5 m (5 ft.)			7750 (17,700)	6150 (13,250)	5000 (10,850)	3300 (7,050)	3850 (8,300)	2100 (4,450)		
Ground Line			6150 (14,350)	5850 (12,550)	5700 (12,300)	3100 (6,700)	4150 (8,950)	2000 (4,300)		
-1.5 m (-5 ft.)	4300 (9,700)	4300 (9,700)	8850 (19,150)	5800 (12,500)	5750 (12,450)	3050 (6,550)	4050 (8,750)	1950 (4,250)		
-3.0 m (-10 ft.)	8200 (18,550)	8200 (18,550)	7550 (16,250)	5900 (12,700)	5000 (10,750)	3100 (6,650)				

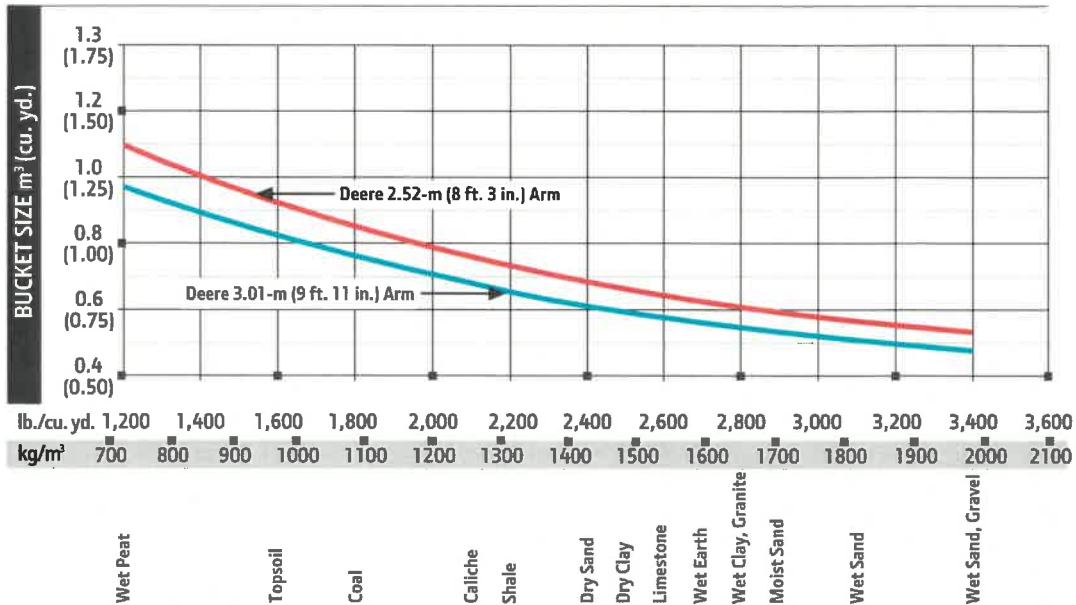
Buckets

130G

A full line of buckets is offered to meet a wide variety of applications. Digging forces are with power boost. Buckets are equipped with John Deere Fanggs™ or ESCO teeth standard. Replaceable cutting edges and a variety of teeth are available through John Deere Parts. Optional side cutters add 150 mm (6 in.) to bucket widths. Capacities are SAE heaped ratings.

Bucket Type	Bucket Width		Bucket Capacity		Bucket Weight		Bucket Dig Force		Arm Dig Force 2.52 m (8 ft. 3 in.)		Arm Dig Force 3.01 m (9 ft. 11 in.)		Bucket Tip Radius		Number of Teeth
	mm	in.	m ³	cu. yd.	kg	lb.	kN	lb.	kN	lb.	kN	lb.	mm	in.	
Heavy Duty	610	24	0.37	0.48	460	1,014	84.5	19,005	64.4	14,467	58.0	13,043	1328	52.27	4
	760	30	0.50	0.65	522	1,150	84.5	19,005	64.4	14,467	58.0	13,043	1328	52.27	4
	915	36	0.62	0.81	589	1,297	84.5	19,005	64.4	14,467	58.0	13,043	1328	52.27	5
Ditching	1067	42	0.76	0.99	631	1,390	84.5	19,005	64.4	14,467	58.0	13,043	1328	52.27	5
	1500	60	0.63	0.83	457	1,007	121.9	27,404	72.0	16,177	64.0	14,395	921	36.25	0

Bucket Selection Guide*



*Contact your John Deere dealer for optimum bucket and attachment selections. These recommendations are for general conditions and average use. Does not include optional equipment such as thumbs or couplers. Larger buckets may be possible when using light materials, for flat and level operations, less compacted materials, and volume loading applications such as mass-excavation applications in ideal conditions. Smaller buckets are recommended for adverse conditions such as off-level applications, rocks, and uneven surfaces. Bucket capacity indicated is SAE heaped.

Lift Capacities (continued)

130G

Boldface type indicates hydraulically limited capacity; lightface type indicates stability-limited capacities, in kg (lb.). Ratings at bucket lift hook; machine equipped with 414-kg (913 lb.) general-purpose bucket, 2350-kg (5,181 lb.) standard counterweight, and standard gauge; and situated on firm, level, uniform supporting surface. Total load includes weight of cables, hook, etc. Figures do not exceed 87 percent of hydraulic capacities or 75 percent of weight needed to tip machine. All lift capacities are based on ISO 10567 (with power boost).

HORIZONTAL DISTANCE FROM CENTERLINE OF ROTATION

LOAD POINT HEIGHT	1.5 m (5 ft.)		3.0 m (10 ft.)		4.5 m (15 ft.)		6.0 m (20 ft.)		7.5 m (25 ft.)	
	Over Front	Over Side	Over Front	Over Side	Over Front	Over Side	Over Front	Over Side	Over Front	Over Side
<i>With 2.52-m (8 ft. 3 in.) arm and 700-mm (28 in.) triple semi-grouser shoes, without blade</i>										
4.5 m (15 ft.)					3250	3250	3000	2100		
					(7,050)	(7,050)	(6,000)	(4,450)		
3.0 m (10 ft.)			5550	5550	4050	3300	3050	2000		
			(11,900)	(11,900)	(8,750)	(7,100)	(6,550)	(4,350)		
1.5 m (5 ft.)			7750	5750	4700	3050	2950	1950		
			(17,700)	(12,400)	(10,150)	(6,600)	(6,350)	(4,150)		
Ground Line			6150	5450	4550	2900	2850	1850		
			(14,350)	(11,750)	(9,750)	(6,250)	(6,150)	(4,000)		
-1.5 m (-5 ft.)	4300	4300	8850	5450	4450	2850	2850	1850		
	(9,700)	(9,700)	(19,150)	(11,650)	(9,600)	(6,100)	(6,100)	(3,950)		
-3.0 m (-10 ft.)	8200	8200	7550	5550	4500	2850				
	(18,550)	(18,550)	(16,250)	(11,900)	(9,700)	(6,200)				
<i>With 2.52-m (8 ft. 3 in.) arm and 700-mm (28 in.) triple semi-grouser shoes, blade on ground</i>										
4.5 m (15 ft.)					3250	3250	3000	2250		
					(7,050)	(7,050)	(6,000)	(4,850)		
3.0 m (10 ft.)			5550	5550	4050	3550	3450	2200		
			(11,900)	(11,900)	(8,750)	(7,650)	(7,500)	(4,750)		
1.5 m (5 ft.)			7750	6250	5000	3350	3850	2100		
			(17,700)	(13,400)	(10,850)	(7,150)	(8,300)	(4,550)		
Ground Line			6150	5950	5700	3150	4150	2050		
			(14,350)	(12,750)	(12,300)	(6,800)	(8,950)	(4,350)		
-1.5 m (-5 ft.)	4300	4300	8850	5900	5750	3100	4050	2000		
	(9,700)	(9,700)	(19,150)	(12,650)	(12,450)	(6,650)	(8,750)	(4,300)		
-3.0 m (-10 ft.)	8200	8200	7550	6000	5000	3150				
	(18,550)	(18,550)	(16,250)	(12,850)	(10,750)	(6,750)				
<i>With 2.52-m (8 ft. 3 in.) arm and 500-mm (20 in.) rubber track, without blade</i>										
4.5 m (15 ft.)					3250	3250	3000	2100		
					(7,050)	(7,050)	(6,000)	(4,250)		
3.0 m (10 ft.)			5550	5550	4050	3300	3050	2050		
			(11,900)	(11,900)	(8,750)	(6,800)	(6,550)	(4,150)		
1.5 m (5 ft.)			7750	5750	4750	3050	2950	1950		
			(17,700)	(11,900)	(10,150)	(6,300)	(6,350)	(3,950)		
Ground Line			6150	5500	4550	2900	2850	1850		
			(14,350)	(11,200)	(9,750)	(5,950)	(6,150)	(3,750)		
-1.5 m (-5 ft.)	4300	4300	8850	5450	4450	2850	2850	1850		
	(9,700)	(9,650)	(19,150)	(11,150)	(9,600)	(5,800)	(6,100)	(3,700)		
-3.0 m (-10 ft.)	8200	8200	7550	5550	4500	2900				
	(18,550)	(18,550)	(16,250)	(11,350)	(9,700)	(5,900)				
<i>With 2.52-m (8 ft. 3 in.) arm and 500-mm (20 in.) rubber track, blade on ground</i>										
4.5 m (15 ft.)					3250	3250	3000	2250		
					(7,050)	(7,050)	(6,000)	(4,850)		
3.0 m (10 ft.)			5550	5550	4050	3550	3450	2200		
			(11,900)	(11,900)	(8,750)	(7,650)	(7,500)	(4,750)		
1.5 m (5 ft.)			7750	6250	5000	3350	3850	2100		
			(17,700)	(13,400)	(10,850)	(7,150)	(8,300)	(4,550)		
Ground Line			6150	5950	5700	3150	4150	2050		
			(14,350)	(12,750)	(12,300)	(6,800)	(8,950)	(4,400)		
-1.5 m (-5 ft.)	4300	4300	8850	5900	5750	3100	4050	2000		
	(9,700)	(9,700)	(19,150)	(12,700)	(12,450)	(6,650)	(8,750)	(4,350)		
-3.0 m (-10 ft.)	8200	8200	7550	6000	5000	3150				
	(18,550)	(18,550)	(16,250)	(12,900)	(10,750)	(6,750)				
<i>With 3.01-m (9 ft. 11 in.) arm and 600-mm (24 in.) triple semi-grouser shoes, without blade</i>										
4.5 m (15 ft.)					2750	2750	2800	2100		
					(6,000)	(6,000)	(6,200)	(4,450)		
3.0 m (10 ft.)			4550	4550	3550	3300	3000	2000		
			(9,600)	(9,600)	(7,750)	(7,100)	(6,500)	(4,300)		
1.5 m (5 ft.)			7400	5800	4650	3050	2900	1900	1900	1250
			(15,850)	(12,550)	(10,000)	(6,550)	(6,250)	(4,050)		
Ground Line			6750	5400	4450	2850	2800	1800		
			(15,750)	(11,550)	(9,600)	(6,100)	(6,000)	(3,850)		
-1.5 m (-5 ft.)	3750	3750	8550	5250	4350	2750	2750	1750		
	(8,450)	(8,450)	(19,250)	(11,300)	(9,350)	(5,900)	(5,900)	(3,750)		
-3.0 m (-10 ft.)	6800	6800	8100	5300	4350	2750	2750	1800		
	(15,400)	(15,400)	(17,450)	(11,450)	(9,350)	(5,900)				
-4.5 m (-15 ft.)			5750	5550	3400	2900				
			(12,150)	(11,900)						

Boldface type indicates hydraulically limited capacity; lightface type indicates stability-limited capacities, in kg (lb.). Ratings at bucket lift hook; machine equipped with 414-kg (913 lb.) general-purpose bucket, 2350-kg (5,181 lb.) standard counterweight, and standard gauge; and situated on firm, level, uniform supporting surface. Total load includes weight of cables, hook, etc. Figures do not exceed 87 percent of hydraulic capacities or 75 percent of weight needed to tip machine. All lift capacities are based on ISO 10567 (with power boost).

HORIZONTAL DISTANCE FROM CENTERLINE OF ROTATION

LOAD POINT HEIGHT	1.5 m (5 ft.)		3.0 m (10 ft.)		4.5 m (15 ft.)		6.0 m (20 ft.)		7.5 m (25 ft.)	
	Over Front	Over Side	Over Front	Over Side	Over Front	Over Side	Over Front	Over Side	Over Front	Over Side
<i>With 3.01-m (9 ft. 11 in.) arm and 600-mm (24 in.) triple semi-grouser shoes, blade on ground</i>										
4.5 m (15 ft.)					2750 (6,000)	2750 (6,000)	2800 (6,200)	2250 (4,850)		
3.0 m (10 ft.)			4550 (9,600)	4550 (9,600)	3550 (7,750)	3550 (7,650)	3100 (6,800)	2200 (4,700)		
1.5 m (5 ft.)			7400 (15,850)	6300 (13,550)	4650 (10,000)	3300 (7,100)	3600 (7,800)	2100 (4,450)	1900	1400
Ground Line			6750 (15,750)	5850 (12,550)	5450 (11,850)	3100 (6,700)	4000 (8,650)	2000 (4,250)		
-1.5 m (-5 ft.)	3750 (8,450)	3750 (8,450)	8550 (19,550)	5750 (12,300)	5750 (12,400)	3000 (6,450)	4100 (8,850)	1950 (4,150)		
-3.0 m (-10 ft.)	6800 (15,400)	6800 (15,400)	8100 (17,450)	5800 (12,400)	5300 (11,400)	3000 (6,500)	3500	1950		
-4.5 m (-15 ft.)			5750 (12,150)	5750 (12,150)	3400	3150				
<i>With 3.01-m (9 ft. 11 in.) arm and 700-mm (28 in.) triple semi-grouser shoes, without blade</i>										
4.5 m (15 ft.)					2750 (6,000)	2750 (6,000)	2800 (6,200)	2100 (4,550)		
3.0 m (10 ft.)			4550 (9,600)	4550 (9,600)	3550 (7,750)	3350 (7,200)	2950 (6,600)	2050 (4,350)		
1.5 m (5 ft.)			7400 (15,850)	5900 (12,700)	4650 (10,000)	3,100 (6,650)	2800 (6,350)	1950 (4,150)	1900	1300
Ground Line			6750 (15,750)	5450 (11,750)	4550 (9,750)	2900 (6,200)	2700 (6,100)	1850 (3,950)		
-1.5 m (-5 ft.)	3750 (8,450)	3750 (8,450)	8550 (19,550)	5350 (11,500)	4400 (9,500)	2800 (6,000)	2650 (6,000)	1800 (3,850)		
-3.0 m (-10 ft.)	6800 (15,400)	6800 (15,400)	8100 (17,450)	5400 (11,600)	4450 (9,500)	2800 (6,000)	2700	1800		
-4.5 m (-15 ft.)			5750 (12,150)	5600 (12,100)	3400	2950				
<i>With 3.01-m (9 ft. 11 in.) arm and 700-mm (28 in.) triple semi-grouser shoes, blade on ground</i>										
4.5 m (15 ft.)					2750 (6,000)	2750 (6,000)	2800 (6,200)	2300 (4,900)		
3.0 m (10 ft.)			4550 (9,600)	4550 (9,600)	3550 (7,750)	3550 (7,750)	3100 (6,800)	2200 (4,750)		
1.5 m (5 ft.)			7400 (15,850)	6350 (13,700)	4650 (10,000)	3350 (7,200)	3600 (7,800)	2100 (4,550)	1900	1400
Ground Line			6750 (15,750)	5900 (12,750)	5450 (11,850)	3150 (6,750)	4000 (8,650)	2000 (4,300)		
-1.5 m (-5 ft.)	3750 (8,450)	3750 (8,450)	8550 (19,550)	5800 (12,500)	5750 (12,400)	3050 (6,550)	4100 (8,850)	1950 (4,200)		
-3.0 m (-10 ft.)	6800 (15,400)	6800 (15,400)	8100 (17,450)	5850 (12,600)	5300 (11,400)	3050 (6,600)	3500	2000		
-4.5 m (-15 ft.)			5750 (12,150)	5750 (12,100)	3400	3200				
<i>With 3.01-m (9 ft. 11 in.) arm and 500-mm (20 in.) rubber track, without blade</i>										
4.5 m (15 ft.)					2750 (6,000)	2750 (6,000)	2800 (6,200)	2100 (4,550)		
3.0 m (10 ft.)			4550 (9,600)	4550 (9,600)	3550 (7,750)	3350 (7,200)	3050 (6,600)	2050 (4,400)		
1.5 m (5 ft.)			7400 (15,850)	5900 (12,750)	4650 (10,000)	3100 (6,650)	2950 (6,350)	1950 (4,150)	1900	1300
Ground Line			6750 (15,750)	5450 (11,750)	4550 (9,750)	2900 (6,200)	2850 (6,150)	1850 (3,950)		
-1.5 m (-5 ft.)	3750 (8,450)	3750 (8,450)	8550 (19,550)	5350 (11,500)	4450 (9,500)	2800 (6,000)	2800 (6,000)	1800 (3,850)		
-3.0 m (-10 ft.)	6800 (15,400)	6800 (15,400)	8100 (17,450)	5400 (11,600)	4450 (9,550)	2800 (6,050)	2850	1800		
-4.5 m (-15 ft.)			5750 (12,150)	5600 (12,100)	3400	2950				
<i>With 3.01-m (9 ft. 11 in.) arm and 500-mm (20 in.) rubber track, blade on ground</i>										
4.5 m (15 ft.)					2750 (6,000)	2750 (6,000)	2800 (6,200)	2300 (4,950)		
3.0 m (10 ft.)			4550 (9,600)	4550 (9,600)	3550 (7,750)	3550 (7,750)	3100 (6,800)	2200 (4,750)		
1.5 m (5 ft.)			7400 (15,850)	6350 (13,700)	4650 (10,000)	3350 (7,250)	3600 (7,800)	2100 (4,550)	1900	1400
Ground Line			6750 (15,750)	5950 (12,750)	5450 (11,850)	3150 (6,800)	4000 (8,650)	2000 (4,350)		
-1.5 m (-5 ft.)	3750 (8,450)	3750 (8,450)	8550 (19,550)	5800 (12,500)	5750 (12,400)	3050 (6,550)	4100 (8,850)	1950 (4,200)		
-3.0 m (-10 ft.)	6800 (15,400)	6800 (15,400)	8100 (17,450)	5850 (12,600)	5300 (11,400)	3050 (6,600)	3500	2000		
-4.5 m (-15 ft.)			5750 (12,150)	5750 (12,150)	3400	3200				