

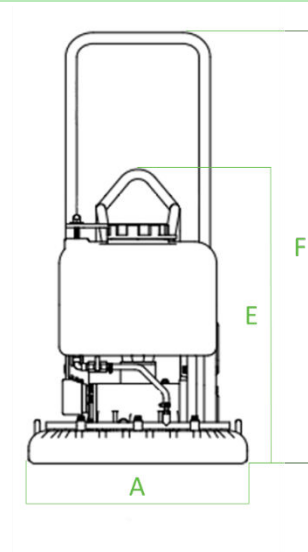
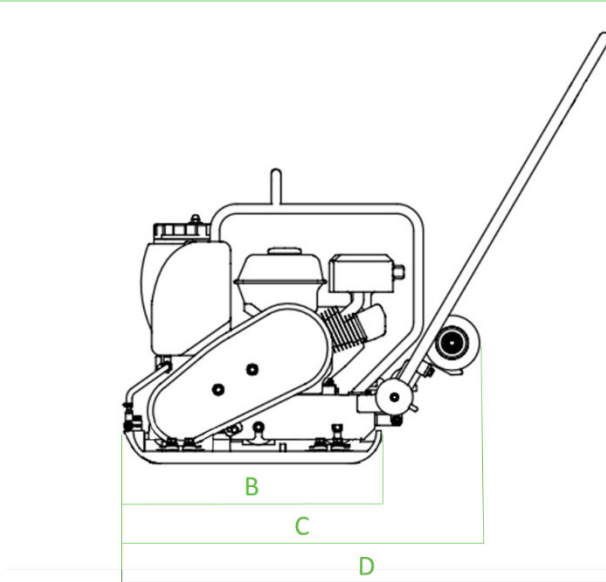
Single Direction Plate Compactors



SP210

SP Technical Specifications

Weight	SP140	SP210	SP250
Operating Weight	148 lb	215 lb	234 lb
Performance Data			
Base Plate Material	Cast Iron	Cast Iron	Cast Iron
Centrifugal Force	2473 lbf	3372 lbf	4046 lbf
Vibration Frequency	5600 vpm	6000 vpm	5400 vpm
Travel Speed	72 ft / min	96 ft / min	106 ft/min
Engine			
Engine Manufacturer	Honda		
Engine Model	GX160		
Output Power	5.5 HP		



Dimensions		SP140	SP210	SP250
Base Plate Width	A	14.6 in	19.7 in	19.7 in
Base Plate Length	B	19.3 in	20.9 in	23.2 in
Machine Length	C	24.8 in	29.9 in	27.6 in
Overall Length	D	38.2 in	42.5 in	41.7 in
Machine Height	E	22 in	20.5 in	24 in
Overall Height	F	37 in	33.1 in	37 in

