



For Earth, For Life
Kubota

SVL

KUBOTA COMPACT TRACK LOADER SVL110-3

Kubota's first Compact Track Loader over 100 HP.
Engineered for strength and versatility, this machine is designed to tackle demanding tasks with ease.

More power, better performance

112.7 HP Engine

The SVL110-3 features 112.7HP* with engine torque of 279 ft-lbs, the most among Kubota compact track loaders.

*Gross engine HP (SAE J1995)

45 gpm Hydraulic Flow

The SVL110-3 provides 45 gpm* of hydraulic flow to satisfy customer demands.

*Flow rate can be adjusted from the touch screen as required.

APS

This machine features our innovative patent pending hydraulic management system, APS (Auxiliary Performance System), designed to unlock the machine's full capabilities and optimize performance.

Unlike conventional systems, APS ensures stable travel and consistent auxiliary power by maintaining high engine output, allowing for seamless operation across various tasks.

This advanced technology provides smooth functionality, even when utilizing high-flow attachments making it the ideal choice for demanding applications.

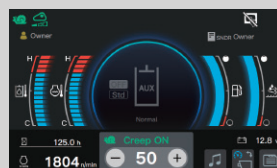


Creep mode

Kubota's first compact track loader equipped with Creep mode, giving operators precise travel speed control for high-accuracy attachment work. Hold the travel speed switch to activate and set the speed from your touch screen.

This reduces the need to manage travel manually, letting you focus on attachment operation.

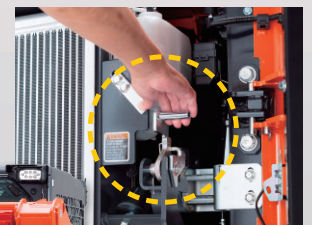
Speeds can be set from 0 to 50 using the touch screen or jog dial.



Hassle-free maintenance

Toolless swing out radiator

No tools are required to swing out the radiator, giving you quick and easy access to the engine bay for maintenance and cleaning.

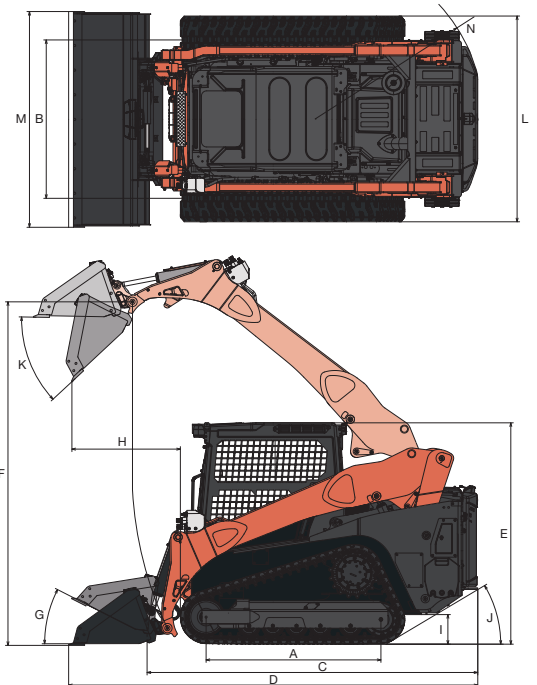


Specification

| Model | | SVL110-3 | | |
|--|---|----------------------------|-----------------------|--------------|
| Type of operator station | | Closed CAB | | |
| Engine | Model | V3800-TIE5-LA | | |
| | Output (SAE J1995 gross) | HP(kW)/rpm | 112.7(84.0) / 2500 | |
| | Output (SAE J1349 net) | HP(kW)/rpm | 101.3(75.6) / 2500 | |
| | Displacement | cu.in. (cc) | 230.0 (3769) | |
| | Cylinders | 4 | | |
| | Bore×Stroke | in. (mm) | 3.9 (100) × 4.7 (120) | |
| Aspiration | | Turbocharged | | |
| Loader Performance | Rated operating capacity-35% tipping load | lbs. (kg) | 3700 (1678) | |
| | Rated operating capacity-50% tipping load | lbs. (kg) | 5286 (2398) | |
| | Tipping load | lbs. (kg) | 10571 (4795) | |
| | Breakout force | Bucket | lbf. (kg) | 7650 (3469) |
| | | Lift arm | lbf. (kg) | 5288 (2398) |
| Lift arm path | | Vertical | | |
| Undercarriage | Track Width | Standard | in. (mm) | 17.7 (450) |
| | Ground pressure | Standard | psi | 4.8 |
| | Track rollers (per side) | | 5 | |
| | Track ground contact length | | in. (mm) | 65.6 (1667) |
| | Travel speed | Low | mph (km/h) | 5.5 (8.8) |
| | | High | mph (km/h) | 8.4 (13.4) |
| Traction force | | lbf. (kgf) | 13185 (5980) | |
| Hydraulic System | Aux. hydraulic flow | High Flow | gpm (ℓ/min.) | 45.0 (170.4) |
| | Aux. hydraulic pressure | psi (kgf/cm ²) | | 3553 (250) |
| Service refill capacities | Hydraulic system | | gal. (ℓ) | 18.5 (70.1) |
| | Hydraulic Tank | | gal. (ℓ) | 10.6 (40.2) |
| | Fuel tank | | gal. (ℓ) | 30.6 (115.7) |
| | DEF tank | | gal. (ℓ) | 3.4 (12.7) |
| Operating weight (Includes operator weight 165lbs.) | | lbs. (kg) | 12322 (5589) | |

Working Range

| Model | | SVL110-3 | |
|----------|---|----------|--------------|
| A | Length of track on ground | in. (mm) | 65.6 (1667) |
| B | Track gauge | in. (mm) | 59.5 (1512) |
| C | Length w/o bucket | in. (mm) | 123.7 (3141) |
| D | Length w/bucket on ground | in. (mm) | 153.6 (3901) |
| E | Height to top of cab | in. (mm) | 83.1 (2112) |
| F | Bucket hinge pin height at max. lift | in. (mm) | 128.5 (3264) |
| G | Rollback angle at carry position | degree | 28° |
| H | Reach at max. lift and dump | in. (mm) | 40.7 (1034) |
| I | Ground clearance | in. (mm) | 10.9 (278) |
| J | Departure angle | degree | 30.9° |
| K | Max. dump angle | degree | 43° |
| L | Vehicle width Standard track | in. (mm) | 77.2 (1962) |
| M | Width with bucket | in. (mm) | 81 (2057) |
| N | Turning radius from center-machine rear | in. (mm) | 63.7 (1618) |



Kubota Tractor Corporation and Kubota Canada Ltd. reserves the right to change the stated specifications without notice. This brochure is for descriptive purposes only and reasonable efforts were used to set forth the contained information; be optional and some products shown may not be available at all dealerships. Kubota disclaims all representations and warranties, express or implied, or any liability from the use of this brochure. For complete warranty, safety and product information, consult your local Kubota dealer and the operator's manual. Power (HP/kW) and other specifications are based on various standards or recommended practices. For your safety, Kubota strongly recommends the use of a Rollover Protective Structure (ROPS) and seat belt in almost all applications. This brochure is intended for the United States, US territories and for Canada only. For information regarding Kubota products or services outside these areas, see Kubota global web site. Kubota does not provide parts, warranty or service for any Product which is re-sold or retailed in any country other than the country for which the Product(s) were designed or manufactured.

© 2025 Kubota Corporation

Kubota

KUBOTA TRACTOR CORPORATION

1000 Kubota Drive, Grapevine, TX 76051
TEL: 888-4 KUBOTA Visit our web site at: www.kubotausa.com

KUBOTA CANADA LTD.

1155 Kubota Drive, Pickering, Ontario L1X 0H4, Canada
TEL: (905) 294-7477 Visit our web site at: www.kubota.ca



AKK2509