

Industrial Duty Engine Driven Reciprocating Compressors



No Start Up Kits Required | Lifetime Parts Warranty Available

Industrial Gold
Quality Air Compressors at a Great Price.

industrialgold.com ■ 1-800-531-9656 ■ Fax 972-352-6364

© Industrial Gold



Scan to visit our website



IG Reciprocating Pumps

Now Available with Pressure Lubrication

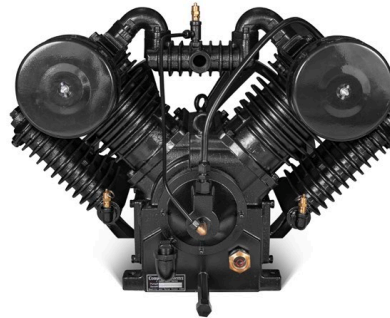
We offer a full line of heavy duty, solid cast iron reciprocating pumps to meet any requirement. They feature some of the most heavy duty components found in piston compressors today, and they reflect our commitment to high quality products and ease of maintenance. Available with pressure lubrication for longer life, smoother operation, and reliability you can count on.



LH4



CA1

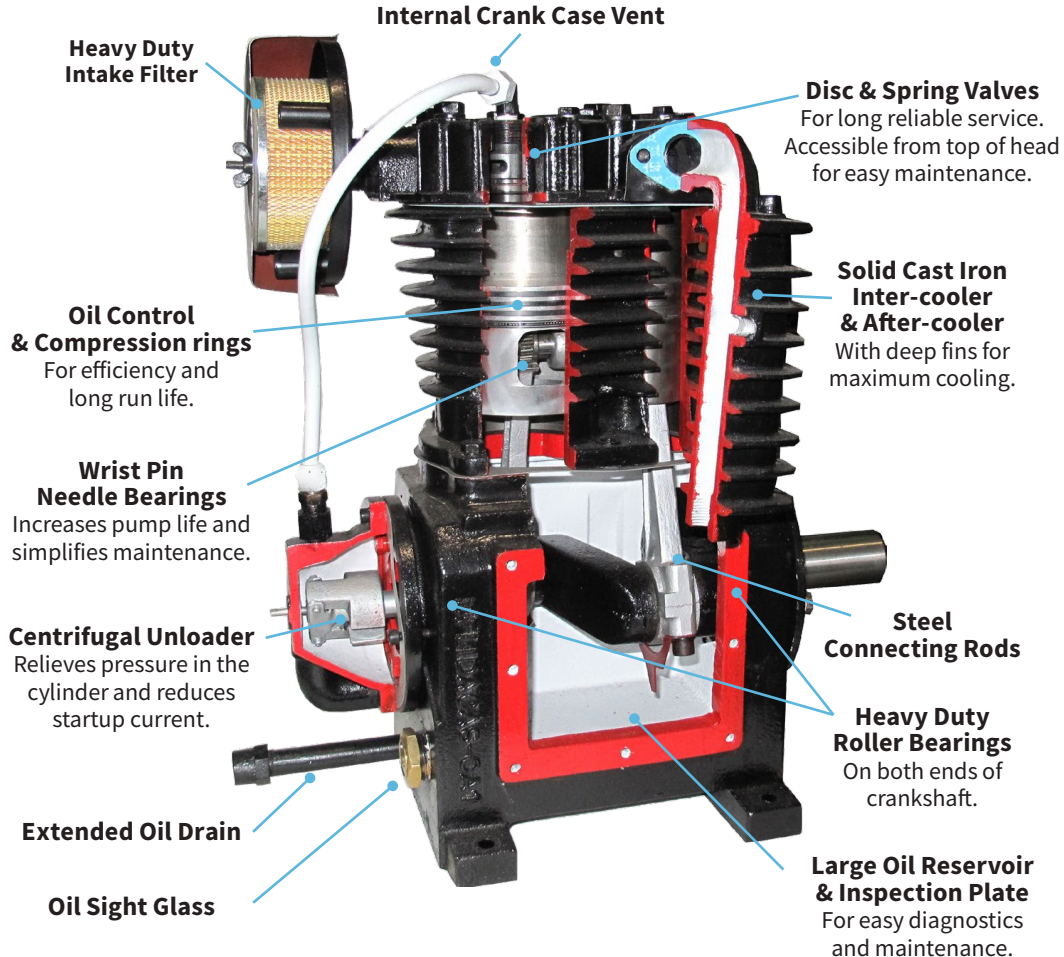


CA2



Pressure Lubricated

CA Series Pump Features

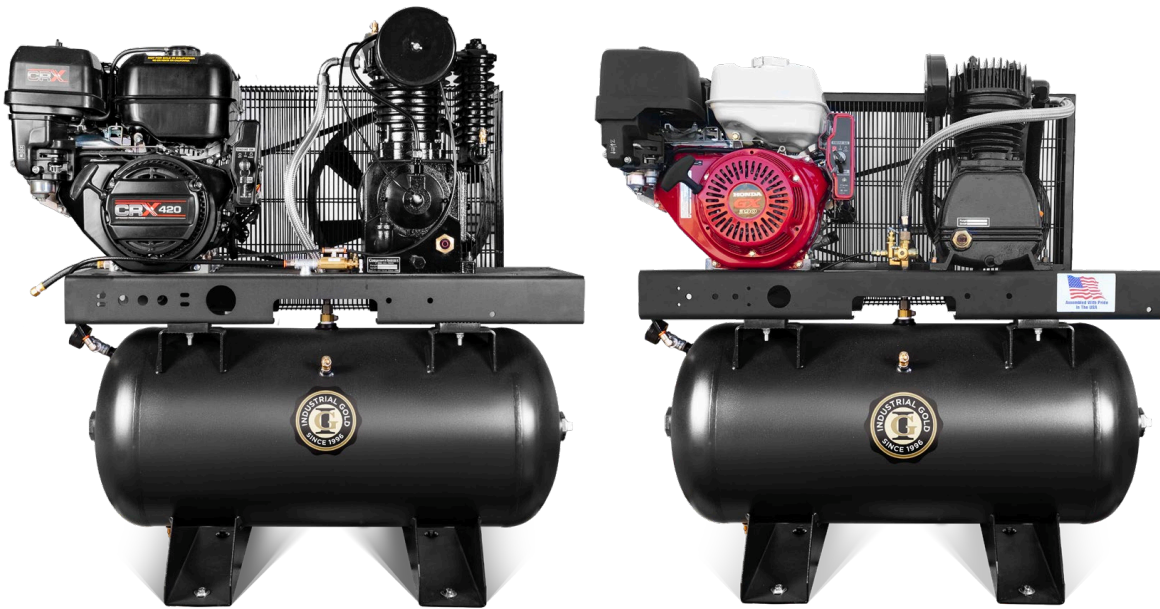


Gas & Diesel Powered Compressors

Industrial Gold gas and diesel compressors are designed for applications that require air on the go, with durability and reliability in mind. Engineered to be simpler to use and easier to maintain than any other compressor in their class. The engine is standard on the drivers side of the vehicle, so no more walking all the way around the truck to start the compressor. The unloader is at your finger tips so you can unload the compressor before starting — meaning your solenoid and starter will last much longer. Simply put, these are the hardest working, easiest to use, and longest lasting compressors available.

Features

- Heavy duty solid cast iron pump
- Head unloaded
- Needle bearings on both ends of crankshaft
- Disc and spring valves
- Centrifugal unloader
- Heavy duty air filter
- Stainless steel flexible discharge line
- Low pump RPM
- Oil sight glass
- Oil drain and fill on front of compressor pump
- ASME/CRN certified receivers
- OSHA compliant enclosed belt guard



Gas Engine							
Model	HP	CFM @ 100 PSI	CFM @ 175 PSI	Tank (Gallons)	Engine	Starter	Pump
CI8GEH33	8.5	20	15.5	30	Honda	Electric	LH4
CI13GEX33	13	22.1	15.9	30	CRX	Electric	LH4
CI13GEH33	13	22.1	15.9	30	Honda	Electric	LH4
CI14GEK33	14	22.1	15.9	30	Kohler	Electric	LH4
CI13GEX30	13	24	23	30	CRX	Electric	CA1
CI13GEH30	13	24	23	30	Honda	Electric	CA1
CI14GEK30	14	24	23	30	Kohler	Electric	CA1
CI14GEK30-CI10	14	33	32	30	Kohler	Electric	CA2
CI18GEX30	18	36.9	35	30	CRX	Electric	CA2
CI18GEH30	18	36.9	35	30	Honda	Electric	CA2
Diesel Engine							
Model	HP	CFM @ 100 PSI	CFM @ 175 PSI	Tank (Gallons)	Engine	Starter	Pump
CI10DEK33	10	18	15	30	Kohler	Electric	LH4
CI10DEK30	10	18.5	16.5	30	Kohler	Electric	CA1
CI18DEK30	18	36	34	30	Kohler	Electric	CA2

Add -PL to the end of the model number for Pressure Lubricated Series.

Cube Air System

The Cube Air System is designed to be the simplest compressor in the world to purchase, own, and operate. The Cube Air System allows you to purchase a functioning compressor without purchasing an air receiver, allowing you to utilize your existing receiver. If there is no existing receiver or it's no longer certified or functional, you can add a stand-alone receiver to the system. With its compact design, the Cube Air System gives you more flexibility and options for installation. This also makes maintenance easier and keeps your long-term cost of ownership down.

Features

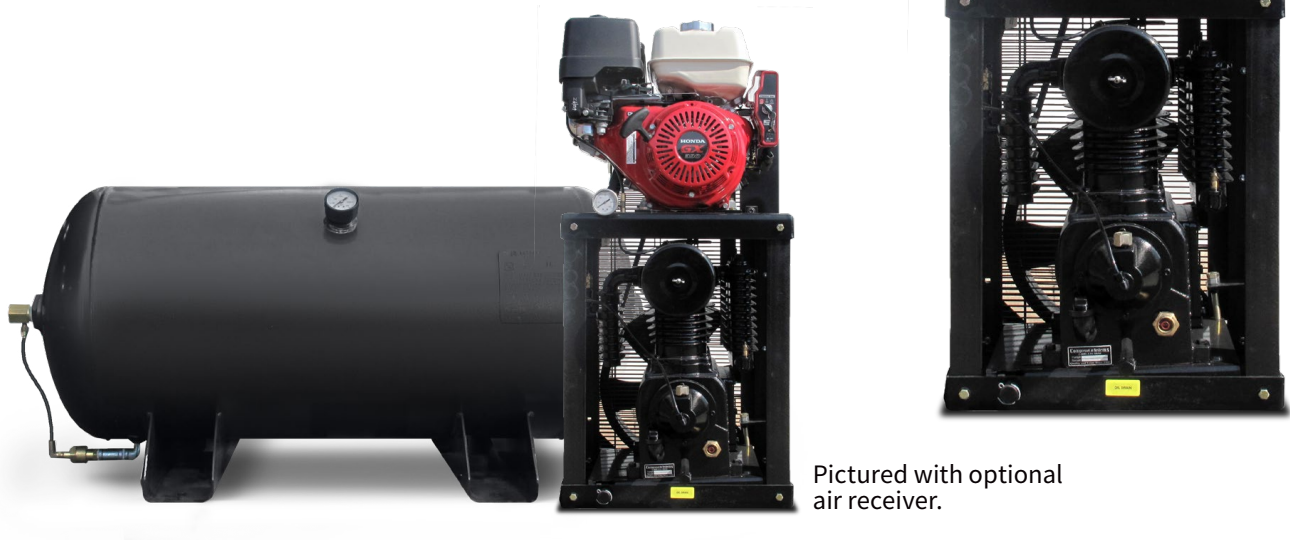
- Heavy duty solid cast iron pump
- Electric start drive engine
- 2 belt drive system
- Self tensioning motor base
- Space and weight saving design
- Easy remove belt guard

Platinum Features

- All basic compressor features
- Belt guard mounted air after cooler
- Low oil monitor
- High-temp stainless steel flex discharge line
- Vibration isolation mounting pads
- Freight pre-paid in the 48 states & southern Canada

Package Options

- Particulate filtration
- Coalescing filtration
- Desiccant air dryer
- Class 1 Div 2 drive motor
- Intake filter silencer
- ASME/CRN certified air receiver
- Electronic automatic tank drain kit (shipped loose for installation on site)



Pictured with optional air receiver.

Model	HP	CFM @ 100 PSI	CFM @ 175 PSI	Engine	Starter
Q-C55	5.5	13	N/A	Honda	Electric
Q-C80	8.5	18	16	Honda	Electric
Q-C110	10	18	16	Kohler	Electric
Q-C130	13	24	23	Honda	Electric
Q-C140	14	24	23	Kohler	Electric

Add -P to the end of the model number for Platinum Series. Add -PL for Pressure Lubricated Series.

Enclosed Engine Driven Reciprocating Compressors

Features

- Heavy duty solid cast iron pump
- Disc & spring valves
- Industrial grade drive engine
- Electric start drive engine
- Quick service compressor filters
- Vibration mounting pads
- Load/unload operation
- Compressor head cooling unloader
- Compressor/Intake filter silencer
- Easy to remove compressor cover

Package Options

- Cold weather heating package
- Heavy duty marine grade battery
- High ambient temperature cooling package
- Compressor cover color change
- 6 or 12 gallon EPA, DOT rated fuel cells
- ASME/CRN certified air receiver
- Drive engine control extension
- Compressed air regulator control pack
- Battery for drive engine



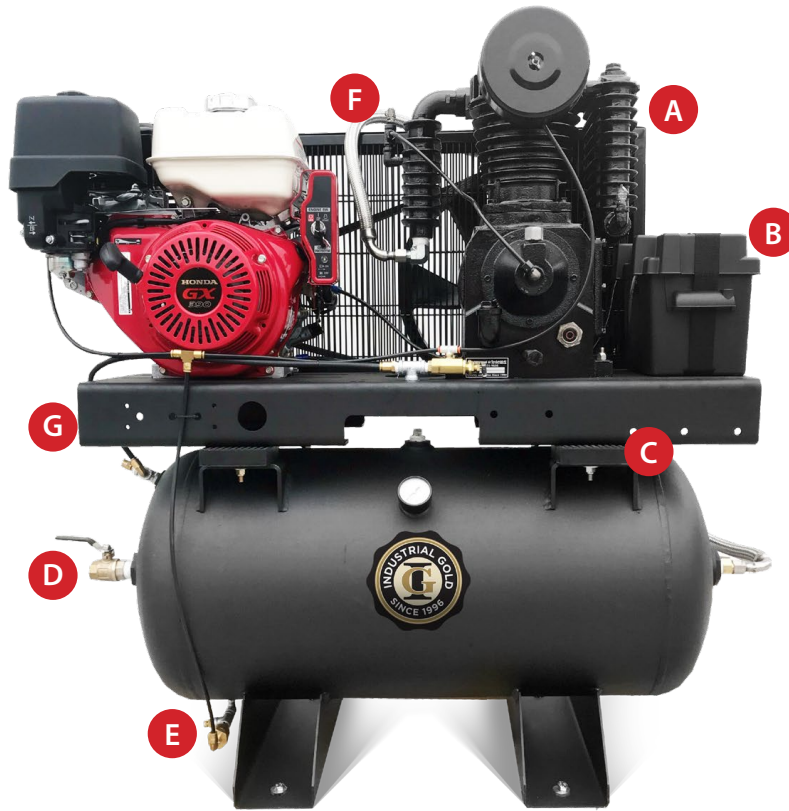
Enclosed Gas Engine							
Model	CFM @ 125 PSI	CFM @ 175 PSI	Engine Brand	Auxiliary Fuel Tank Required	Length	Width	Height
C130GEH-ENC	24	23	Honda	No	40	20	26
C140GEC-ENC	24	23	Kohler	No	40	20	26
C180GEH-ENC	37	35	Honda	Yes	46	20	30
C180GEC-ENC	37	35	Kohler	Yes	46	20	30
Enclosed Diesel Engine							
Model	CFM @ 125 PSI	CFM @ 175 PSI	Engine Brand	Auxiliary Fuel Tank Required	Length	Width	Height
C110DEC-ENC	23	22	Kohler	No	40	20	26

12 Volt Control voltage connection to be supplied by vehicle/equipment compressor is mounted to
Dimensions are representatives of package dimensions not total space required for mounting

Platinum Service Truck Compressor Feature Comparison

**FREIGHT
PREPAID**

Industrial Gold Platinum Series compressors feature a unique package option that makes your new compressor simpler to maintain while delivering higher quality air. The Platinum options are available on all stationary compressors.



A Belt guard after cooler. This cools the air before it goes into the receiver, so more moisture stays in the receiver rather than running to your air tools.

B On-board battery with recharge system. This makes installation simple. No wire to run. No worries about voiding vehicle warranty.

C Rubber mounting pads. This helps prevent the vibration of the unit from causing loose nuts and bolts.

D Tank discharge ball valve makes draining fast & easy.

E Automatic tank drain. Used with the belt guard cooler this drains the moisture from the receiver so you don't have to crawl under the compressor to manually drain it.

F Stainless steel flex lines for added durability and heat transfer.

G 2-piece tank design for easier maintenance and lower long-term cost of ownership.

Accessories Available for Platinum Units

- Hour meter
- HOA operating switch
- Alternating relay
- Intake silencer
- Dual control constant run
- Rubber mounting pads
- TEFC motor
- Nema 4 control enclosure
- Explosion proof motor
- Explosion proof control enclosure

Included In Package	Industrial Gold Platinum	Industrial Gold Basic	Industrial Gold 33 Series	Champion RV Series	Ingersoll Rand T30	Curtis CT Series	Vanair	Mi-T-M Service Truck Series	Northern Tool
Automatic tank drain	Yes	No	No	No	No	No	No	No	No
Package controls protected by compressor base plate	Yes	Yes	Yes	No	Yes	Yes	Yes	No	No
3 engine options Kohler, Honda, & Diesel	Yes	Yes	Yes	Yes	No	Yes	No	Yes	No
Recharge system standard on engine	Yes	Yes	Yes	Yes	Yes	Yes	Yes	Yes	Yes
Aluminum belt guard after cooler	Yes	No	No	No	No	No	No	No	No
Stainless steel flexible air lines	Yes	Yes	Yes	No	No	No	No	Yes	No
Solid cast discharge manifold	Yes	Yes	No	No	No	No	No	No	Yes
Head unloaded compressor pump	Yes	Yes	No	Yes	No	No	No	No	No
Disc & spring valve compressor pump	Yes	Yes	No	Yes	No	No	No	No	No
Solid cast inner cooler manifold	Yes	Yes	No	No	No	No	No	No	No
Two stage compressor pump	Yes	Yes	Yes	Yes	Yes	Yes	No	Yes	Yes
Centrifugal unloader	Yes	Yes	No	Yes	No	No	No	No	No
Battery mounted & wired	Yes	No	No	No	No	No	No	No	No
Easy access oil fill & drain	Yes	Yes	Yes	Yes	Yes	Yes	Yes	Yes	No
Easy access tank check valve	Yes	Yes	Yes	No	No	No	No	No	No
Vibration isolation pads	Yes	No	Yes	No	No	No	No	No	No
Package controls protected	Yes	Yes	Yes	No	Yes	Yes	Yes	No	No
Bearings on both ends of the crank shaft	Yes	Yes	Yes	Yes	No	Yes	Yes	Yes	Yes
Discharge line fittings non proprietary (easy to find at any hard ware store)	Yes	Yes	Yes	No	No	Yes	Yes	Yes	Yes
Pump speed 950 RPM or less	Yes	Yes	No	Yes	No	Yes	No	Yes	No
No additional start up kit purchase needed for unit to be operational	Yes	Yes	Yes	Yes	No	Yes	Yes	Yes	Yes
2 piece tank and top plate design	Yes	Yes	Yes	No	No	No	No	No	No
Ability to remote mount compressor and tank by removing four bolts	Yes	Yes	Yes	No	No	No	No	No	No



Ingersoll Rand 30 Gallon Service Truck Compressor



Champion 30 Gallon Service Truck Compressor



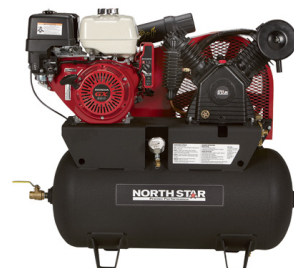
Curtis 30 Gallon Service Truck Compressor



Vanair 30 Gallon Service Truck Compressor



Mi-T-M 30 Gallon Service Truck Compressor



Northern Tool GX390 30 Gallon Compressor

Note: Sheets are meant for comparison only. Features on any of the compressors listed may change at any time due to manufacturing changes.



Industrial Gold

600 S 2nd Ave
Mansfield, TX, 76063

1-800-531-9656

Fax 972-352-6364

Quality Air Compressors at a Great Price