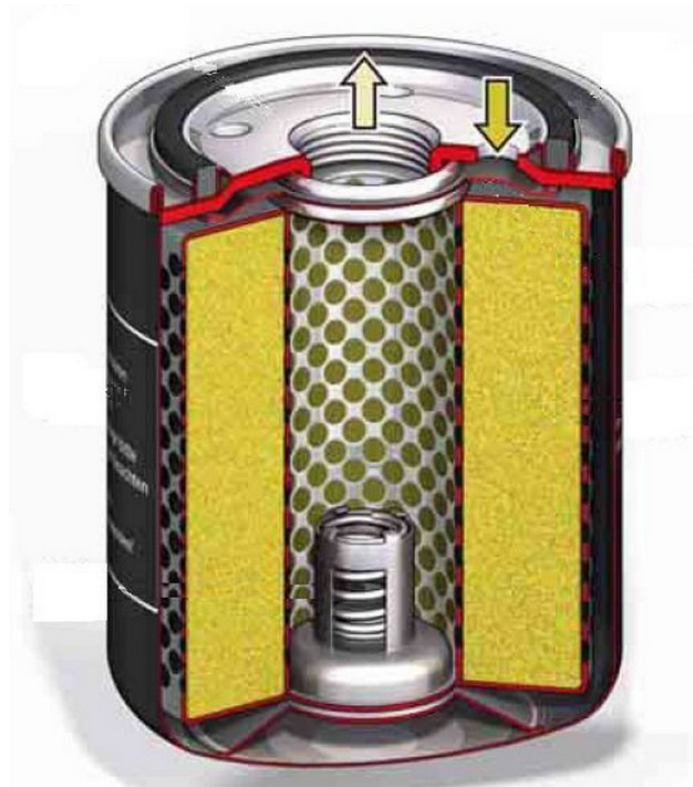


Oil Filter Operations



Notice: Always make sure the power is off to compressor and contact the manufacturer for advice.

Call 800-531-9656 to find a local trained air compressor service technician.

WARNING: To avoid personal injury, always shut OFF the main power supply and disconnects to the compressor, relieve all air pressure from the system, and check electrical system with electrical probe before starting any service or maintenance on the compressor.

Industrial Gold

Quality Air Compressors at a Great Price.

industrialgold.com ■ 1-800-531-9656 ■ Fax 972-352-6364

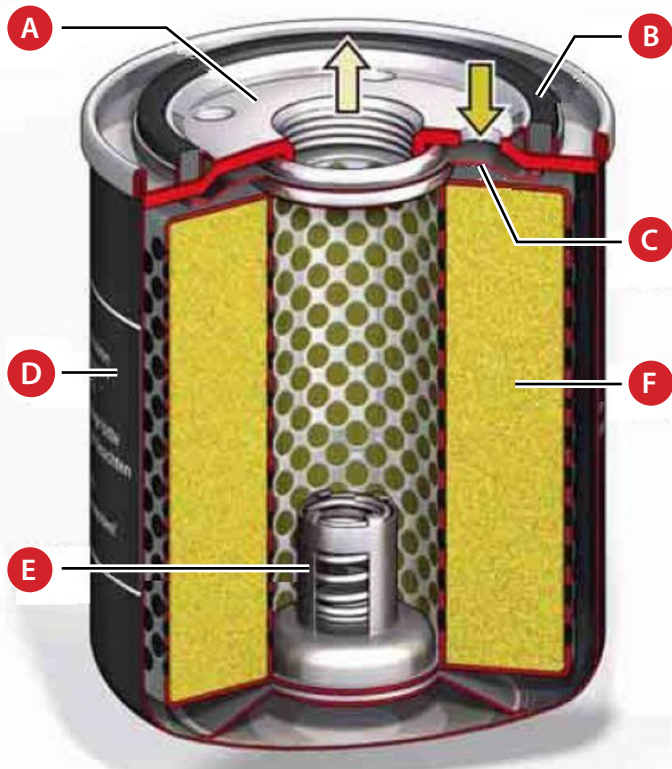
© Industrial Gold 04-2026



Scan to visit our website



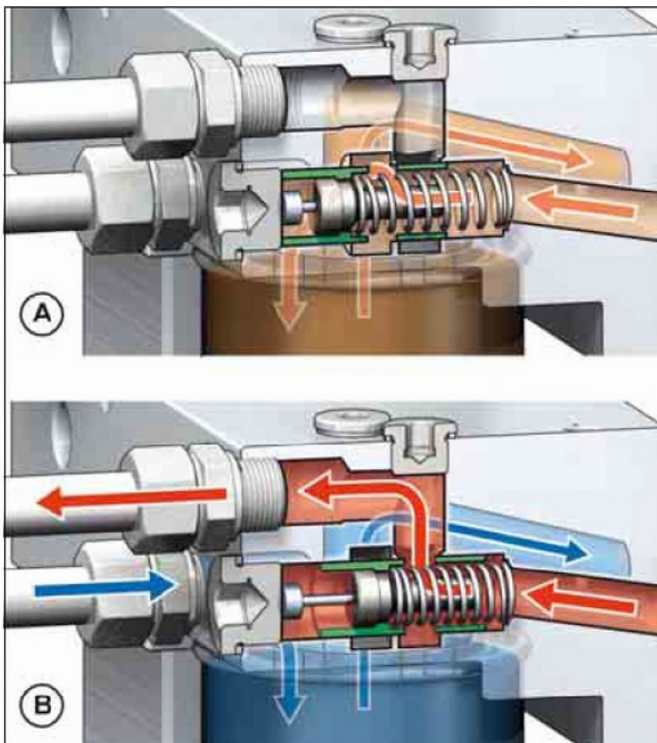
Oil Filter



- A. Lid
- B. Seal
- C. Returning flow check valve
- D. Housing
- E. Bypass valve
- F. Filter element

The bypass valve opens at 2,5 bar/oil supply in case of cold highly viscous oil or soiled oil filter.

Oil Thermostat



The oil thermostat controls the compressor temperature by guiding the oil either to the cooler circuit or to a short circuit.

At start-up the oil is guided in the short circuit to reach the working temperature fast and to avoid condensate formation.

When the working temperature is reached, the thermostat opens the way to the cooler and holds the temperature. The thermostat element is available for different working temperatures from 80°C to 105°C depending on the environment conditions and the resulting pressure dew point.



Industrial Gold

600 S 2nd Ave
Mansfield, TX, 76063

1-800-531-9656

Fax 972-352-6364

Quality Air Compressors at a Great Price.