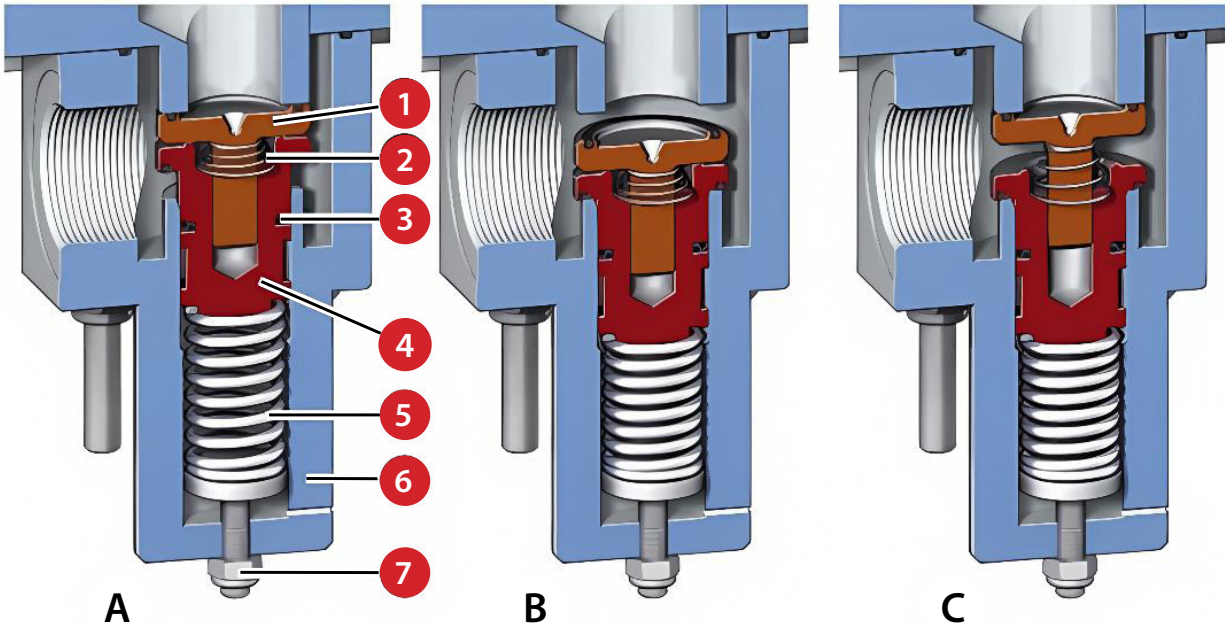


# Minimum Pressure Valve



- A. Minimum pressure valve closed
- B. Minimum pressure valve open
- C. Minimum pressure valve open, check valve closed

- 1. Check valve disc
- 2. Check valve spring
- 3. O-ring
- 4. Pressure retention valve piston
- 5. Pressure retention valve spring
- 6. Housing
- 7. Adjustment screw/lock nut

The minimum pressure valve prevents a pressure drop below the adjusted value of appr. 5,5 bar/80 psi. This pressure is necessary to ensure a sufficient oil supply and is a precondition for good oil separation.

## Industrial Gold

Quality Air Compressors at a Great Price.

industrialgold.com ■ 1-800-531-9656 ■ Fax 972-352-6364

© Industrial Gold 04-2026



Scan to visit our website

