

Filtration

Industrial Gold filtration sets the industry standard in quality and efficiency. Built using the best materials and newest technology, and engineered to work better and last longer. Our product range includes coalescing filters, particulate filters, activated carbon filters, and water separators.

Features

- Housing made of die-cast aluminum, protected with a cathodic dip coating inside, and powder-coated outside to prevent corrosion
- Engineered to optimize air flow, increasing efficiency
- 55% less differential pressure
- Particulate removal from 1 to 0.01 micron
- 1/2" to 2-1/2" NPT connections
- Automatic condensate drain
- Aluminum head and filter housing
- Maximized filter area with specially optimized pleating
- Nitrile seals



Industrial Gold

Quality Air Compressors at a Great Price.

industrialgold.com ■ 1-800-531-9656 ■ Fax 972-352-6364

© Industrial Gold



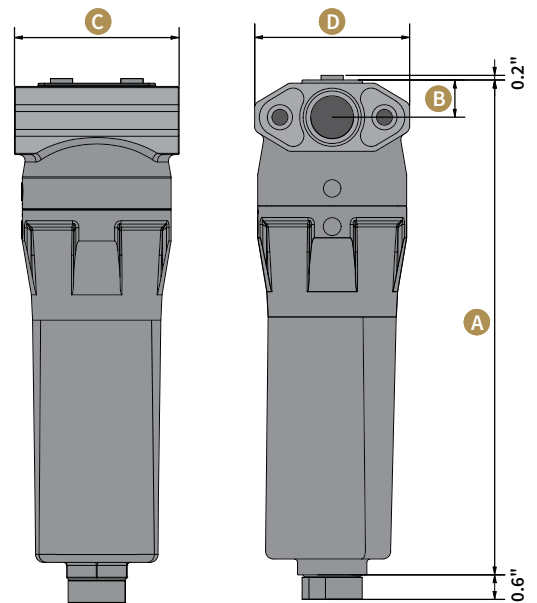
Scan to visit our website



Filtration

Coalescing Filters									
Model	Capacity	Dimensions (inches)				Inlet/Outlet	Replacement Element	Particulate Removal	Residual Oil Content at 68°F
		CFM	A	B	C				
CF-35-8	35	9.21	0.71	3.15	2.95	1/2"	CF-35-E	0.01	0.01
CF-55-8	55	9.21	0.71	3.15	2.95	1/2"	CF-55-E	0.01	0.01
CF-70-8	70	12.91	0.91	4.09	3.86	1/2"	CF-70-E	0.01	0.01
CF-70-12	70	12.91	0.91	4.09	3.86	3/4"	CF-70-E	0.01	0.01
CF-130-12	130	12.91	0.91	4.09	3.86	3/4"	CF-130-E	0.01	0.01
CF-130-16	130	12.91	0.91	4.09	3.86	1"	CF-130-E	0.01	0.01
CF-250-16	250	24.09	1.34	6.06	5.91	1"	CF-250-E	0.01	0.01
CF-320-20	320	24.09	1.34	6.06	5.91	1 1/4"	CF-320-E	0.01	0.01
CF-410-24	410	24.09	1.34	6.06	5.91	1 1/2"	CF-410-E	0.01	0.01
CF-470-32	470	29.29	1.77	7.72	7.68	2"	CF-470-E	0.01	0.01
CF-765-32	765	29.29	1.77	7.72	7.68	2"	CF-765-E	0.01	0.01
CF-885-40	885	28.82	2.20	8.46	8.27	2 1/2"	CF-885-E	0.01	0.01
CF-1300-48	1300	35.39	2.20	8.46	8.27	3"	CF-1300-E	0.01	0.01

Bulk Water Separators							
Model	Capacity	Dimensions (inches)				Inlet/Outlet	Replacement Element
		CFM	A	B	C		
WS-35-8	35	9.21	0.71	3.15	2.95	1/2"	WS-35-E
WS-55-8	55	9.21	0.71	3.15	2.95	1/2"	WS-55-E
WS-70-8	70	12.91	0.91	4.09	3.86	1/2"	WS-70-E
WS-70-12	70	12.91	0.91	4.09	3.86	3/4"	WS-70-E
WS-130-12	130	12.91	0.91	4.09	3.86	3/4"	WS-130-E
WS-130-16	130	12.91	0.91	4.09	3.86	1"	WS-130-E
WS-250-16	250	24.09	1.34	6.06	5.91	1"	WS-250-E
WS-320-20	320	24.09	1.34	6.06	5.91	1 1/4"	WS-320-E
WS-410-24	410	24.09	1.34	6.06	5.91	1 1/2"	WS-410-E
WS-470-32	470	29.29	1.77	7.72	7.68	2"	WS-470-E
WS-765-32	765	29.29	1.77	7.72	7.68	2"	WS-765-E
WS-885-40	885	28.82	2.20	8.46	8.27	2 1/2"	WS-885-E
WS-1300-48	1300	35.39	2.20	8.46	8.27	3"	WS-1300-E



Filtration

Particulate Filters									
Model	Capacity	Dimensions (inches)				Inlet/Outlet	Replacement Element	Particulate Removal	Residual Oil Content at 68°F
	CFM	A	B	C	D	NPT		Micron	mg/m ³
PF-35-8	35	9.21	0.71	3.15	2.95	1/2"	PF-35-E	1	0.5
PF-55-8	55	9.21	0.71	3.15	2.95	1/2"	PF-55-E	1	0.5
PF-70-8	70	12.91	0.91	4.09	3.86	1/2"	PF-70-E	1	0.5
PF-70-12	70	12.91	0.91	4.09	3.86	3/4"	PF-70-E	1	0.5
PF-130-12	130	12.91	0.91	4.09	3.86	3/4"	PF-130-E	1	0.5
PF-130-16	130	12.91	0.91	4.09	3.86	1"	PF-130-E	1	0.5
PF-250-16	250	24.09	1.34	6.06	5.91	1"	PF-250-E	1	0.5
PF-320-20	320	24.09	1.34	6.06	5.91	1 1/4"	PF-320-E	1	0.5
PF-410-24	410	24.09	1.34	6.06	5.91	1 1/2"	PF-410-E	1	0.5
PF-470-32	470	29.29	1.77	7.72	7.68	2"	PF-470-E	1	0.5
PF-765-32	765	29.29	1.77	7.72	7.68	2"	PF-765-E	1	0.5
PF-885-40	885	28.82	2.20	8.46	8.27	2 1/2"	PF-885-E	1	0.5
PF-1300-48	1300	35.39	2.20	8.46	8.27	3"	PF-1300-E	1	0.5

Activated Carbon Filters									
Model	Capacity	Dimensions (inches)				Inlet/Outlet	Replacement Element	Particulate Removal	Residual Oil Content at 68°F
	CFM	A	B	C	D	NPT		Micron	mg/m ³
AC-35-8	35	9.21	0.71	3.15	2.95	1/2"	AC-35-E	0.003	0.003
AC-55-8	55	9.21	0.71	3.15	2.95	1/2"	AC-55-E	0.003	0.003
AC-70-8	70	12.91	0.91	4.09	3.86	1/2"	AC-70-E	0.003	0.003
AC-70-12	70	12.91	0.91	4.09	3.86	3/4"	AC-70-E	0.003	0.003
AC-130-12	130	12.91	0.91	4.09	3.86	3/4"	AC-130-E	0.003	0.003
AC-130-16	130	12.91	0.91	4.09	3.86	1"	AC-130-E	0.003	0.003
AC-250-16	250	24.09	1.34	6.06	5.91	1"	AC-250-E	0.003	0.003
AC-320-20	320	24.09	1.34	6.06	5.91	1 1/4"	AC-320-E	0.003	0.003
AC-410-24	410	24.09	1.34	6.06	5.91	1 1/2"	AC-410-E	0.003	0.003
AC-470-32	470	29.29	1.77	7.72	7.68	2"	AC-470-E	0.003	0.003
AC-765-32	765	29.29	1.77	7.72	7.68	2"	AC-765-E	0.003	0.003
AC-885-40	885	28.82	2.20	8.46	8.27	2 1/2"	AC-885-E	0.003	0.003
AC-1300-48	1300	35.39	2.20	8.46	8.27	3"	AC-1300-E	0.003	0.003