

# Dual Disconnect Control Panel

**Owners  
Manual**



Congratulations on the purchase of your new air compressor. It is precision-built from the finest materials, using state-of-the-art design and the most advanced engineering available today. Expect reliable operation, consistent performance, and air power exactly when you need it.

Check [www.industrialgold.com](http://www.industrialgold.com) for most up to date manual and compressor service and technical information

Read this manual carefully before operating or servicing this air compressor to familiarize yourself with the proper safety, operation, and standard operating procedures of this unit.

**Failure to comply with instructions in this manual could result in the voiding of your warranty, and personal injury, and/or property damage.**

The manufacturer of this air compressor will not be liable for any damage because of failure to follow the instructions in this manual.

By following the instructions and recommendations in this manual you will ensure a longer and safer service life of your air compressor.

**NOTICE: All air compressors must be installed by a qualified and trained technician.**

If you need a qualified technician, call 800-531-9656 or 972-352-6304. Improper installation may result in damage to the compressor, personal injury, and will void the warranty of the compressor package.

If you have questions or need clarification about this manual or your compressor call 800-531-9656

**Do not operate compressor outdoors in wet weather**

## Industrial Gold

**Quality Air Compressors at a Great Price.**

industrialgold.com ■ 1-800-531-9656 ■ Fax 972-352-6364

© Industrial Gold 04-2026

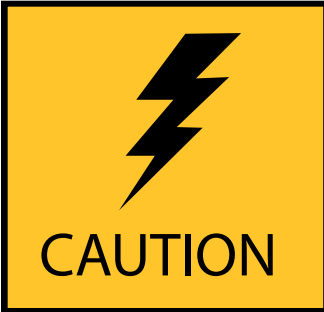


Scan to visit our website



**IMPORTANT:**

This manual is intended to provide instructions for operating and using the Dual Disconnect Control Panel, not the air compressor unit itself. Compressor package comes with its own manual. Refer to owners manual for any specifications or troubleshooting issues with the air compressor. For compressor package information see specific owners manual. For compressor pump information see pump specific owners manual. For installation instructions see Install Guide.



The installation, wiring, and all electrical controls must be in accordance with ANSI C1 National Electric Code, ANSE C2 National Electric Safety Code, state and local codes. All electrical work should be performed by a qualified electrician. Failure to abide by the national, state and local codes may result in physical and/or property damage.

**ELECTRICAL**

Before installation, the electrical supply should be checked for adequate wire size, breaker size, transformer size and capacity. During installation a suitable fused or circuit breaker disconnect switch should be provided. Where a 3 phase motor is used to drive a compressor, any unreasonable voltage unbalance between the legs must be eliminated and any low voltage corrected to prevent excessive current draw.



**Warning:** Always wear proper protective eye ware, hearing protection and safety clothing when working around the compressor package. No loose or baggy clothing should be worn around compressor package at any time.



**Warning:** On electric motor powered air compressors make sure electrical system is up to National Electric Code (NEC) prior to installing compressor system. Failure to install a compressor with a proper NEC electrical system can cause personal injury, compressor package damage and void compressor package warranty.



**Notice:** Industrial Gold compressors can operate at pressures from 0-250 PSI depending on the compressor package design and build specifications. Always verify that the system the compressor is installed into can handle the maximum operational pressure of the compressor. NEVER install a compressor in a system that can not handle the compressors maximum operating pressure.



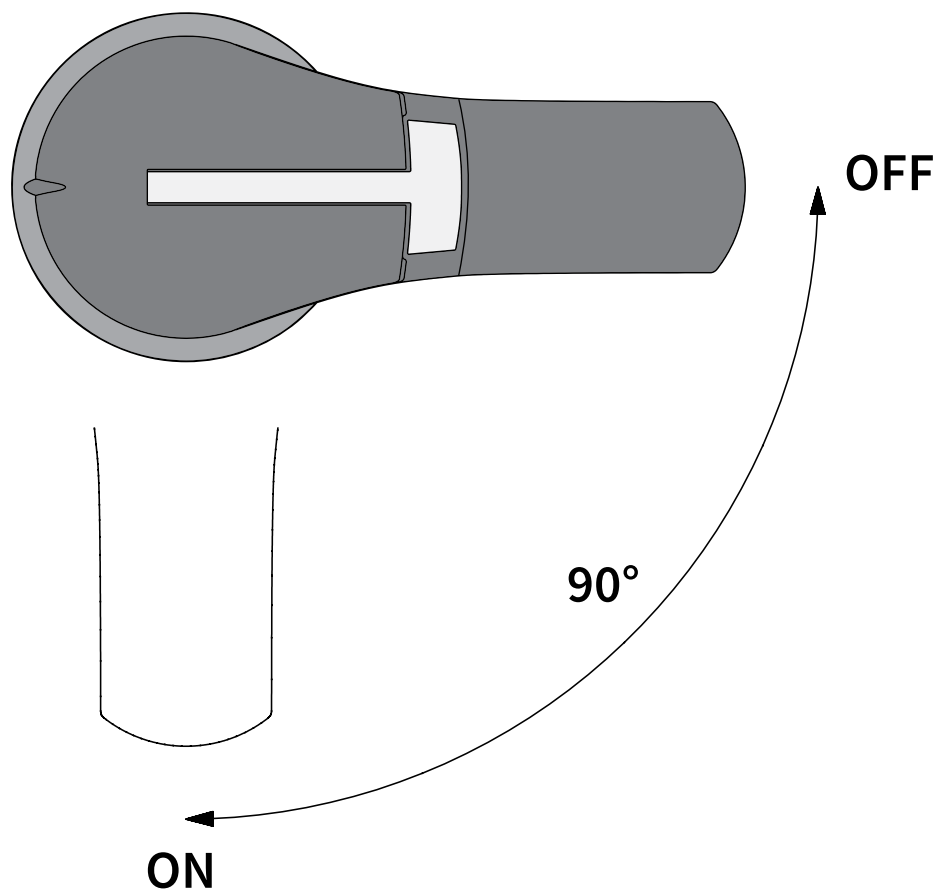
**Notice:** Compressed air is extremely dangerous when not properly used or installed. Always make sure a trained compressed air professional has looked over the air system prior to use. Improper installation or use of compressed air can cause bodily injury or death. NEVER pressurize an object that was not designed to be pressurized. Pressurizing objects not properly engineered for the maximum operating pressure of the compressor system can cause bodily injury or death.

## Operating the Dual Disconnect Control Panel

**NOTE:** Before beginning operation, ensure all incoming electrical wiring is properly connected and installed in accordance with applicable NEC (National Electrical Code) guidelines.

Normal Operation:

1. Close and secure the control panel door.
2. Turn the MAIN disconnect lever to the ON position.
3. Turn the COMP 1 and COMP 2 disconnect levers to the ON position to power both compressors.



**WARNING**

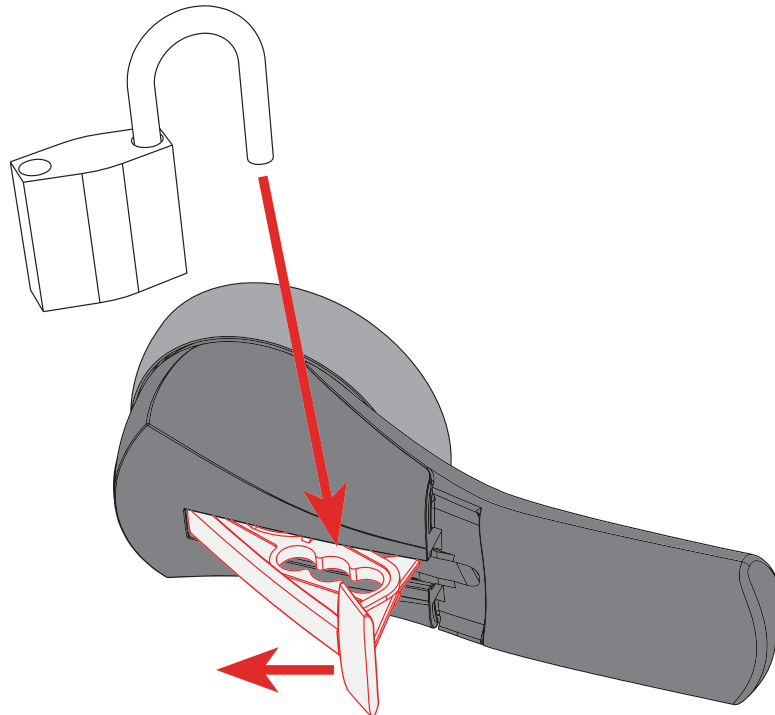
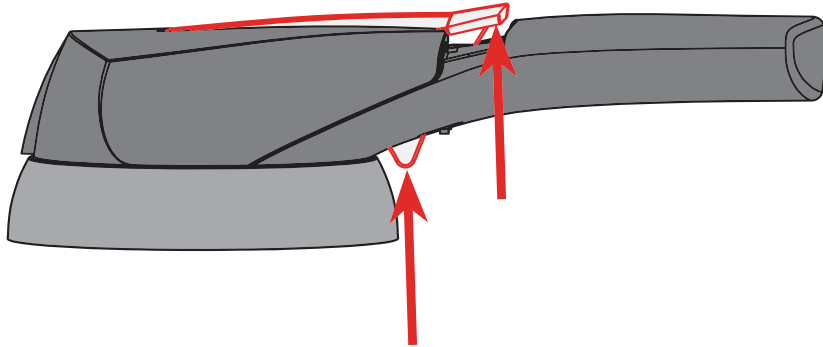
**ALWAYS ENSURE POWER IS COMPLETELY TURNED OFF AT THE MAIN DISCONNECT BEFORE SERVICING THE COMPRESSOR. FAILURE TO DO SO CAN RESULT IN SERIOUS INJURY OR DEATH.**


## Performing Maintenance or Repairs

To safely service one compressor while keeping the other in operation:

1. Turn the applicable COMP 1 or COMP 2 lever to the OFF position.
2. Pull the white tab outward.
3. Insert a padlock through the exposed tab to lock out the unit and prevent it from being turned on during maintenance.

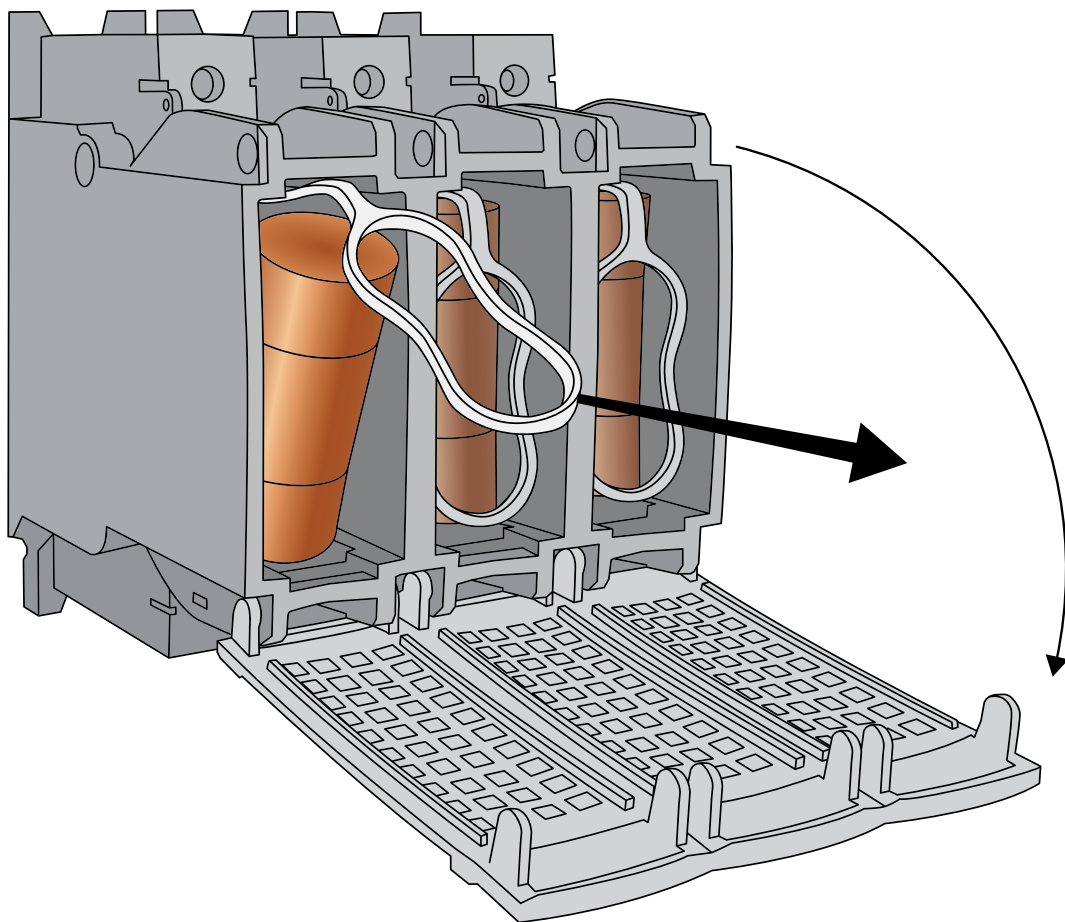
Always verify power is off before servicing.



 <p><b>WARNING</b></p>	<p><b>ALWAYS ENSURE POWER IS COMPLETELY TURNED OFF AT THE MAIN DISCONNECT BEFORE SERVICING THE COMPRESSOR. FAILURE TO DO SO CAN RESULT IN SERIOUS INJURY OR DEATH.</b></p>
---	--

## Changing a Fuse in the Control Panel

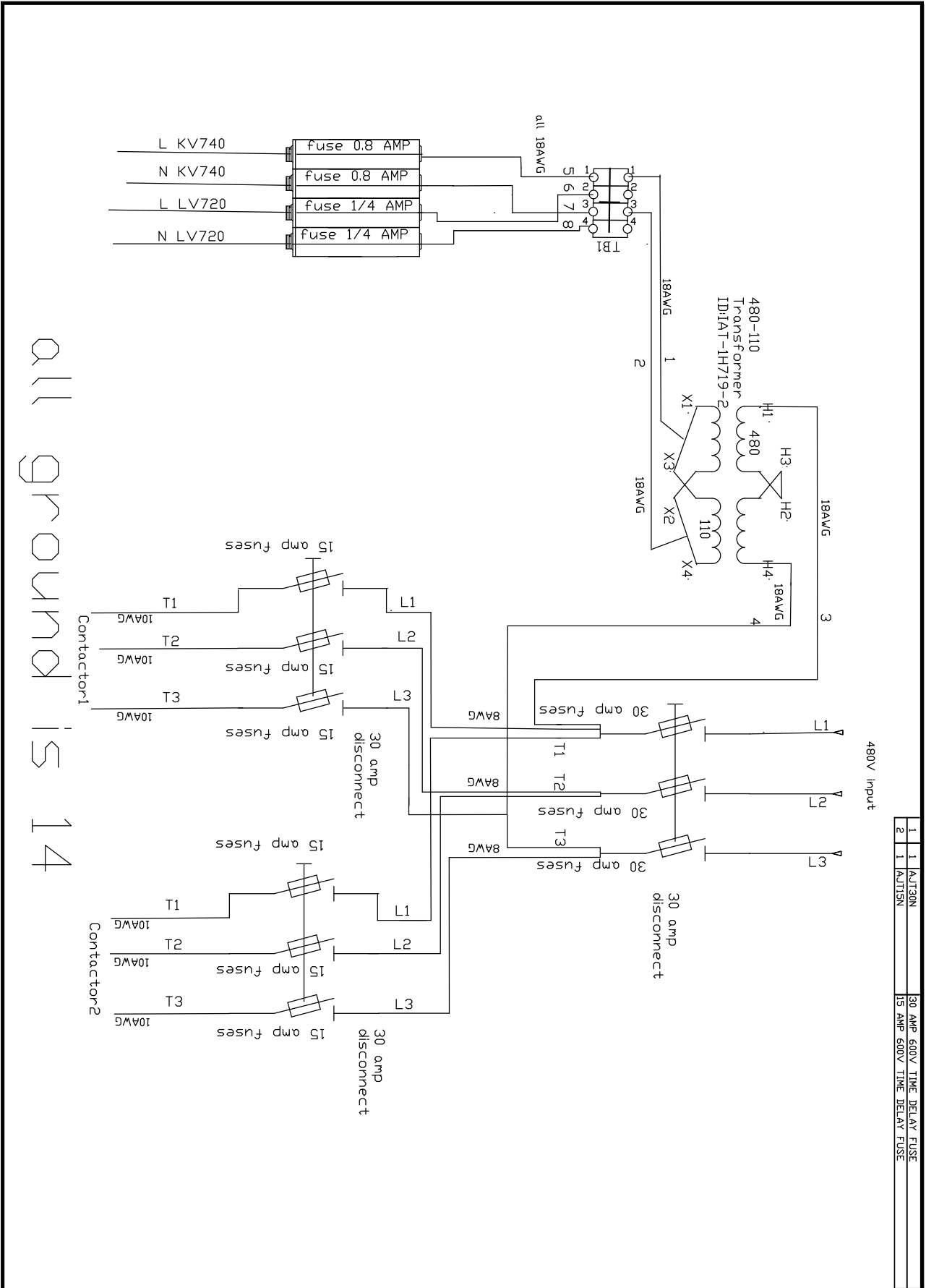
1. Turn the main power off. Ensure all power is disconnected before proceeding.
2. Open the cover of the switch disconnect.
3. Pull the release tab to disengage and remove the fuse.
4. Insert a new fuse of the correct type and rating.
5. Close and secure the switch disconnect cover.
6. Restore power by turning the main power back on when ready.



**WARNING**

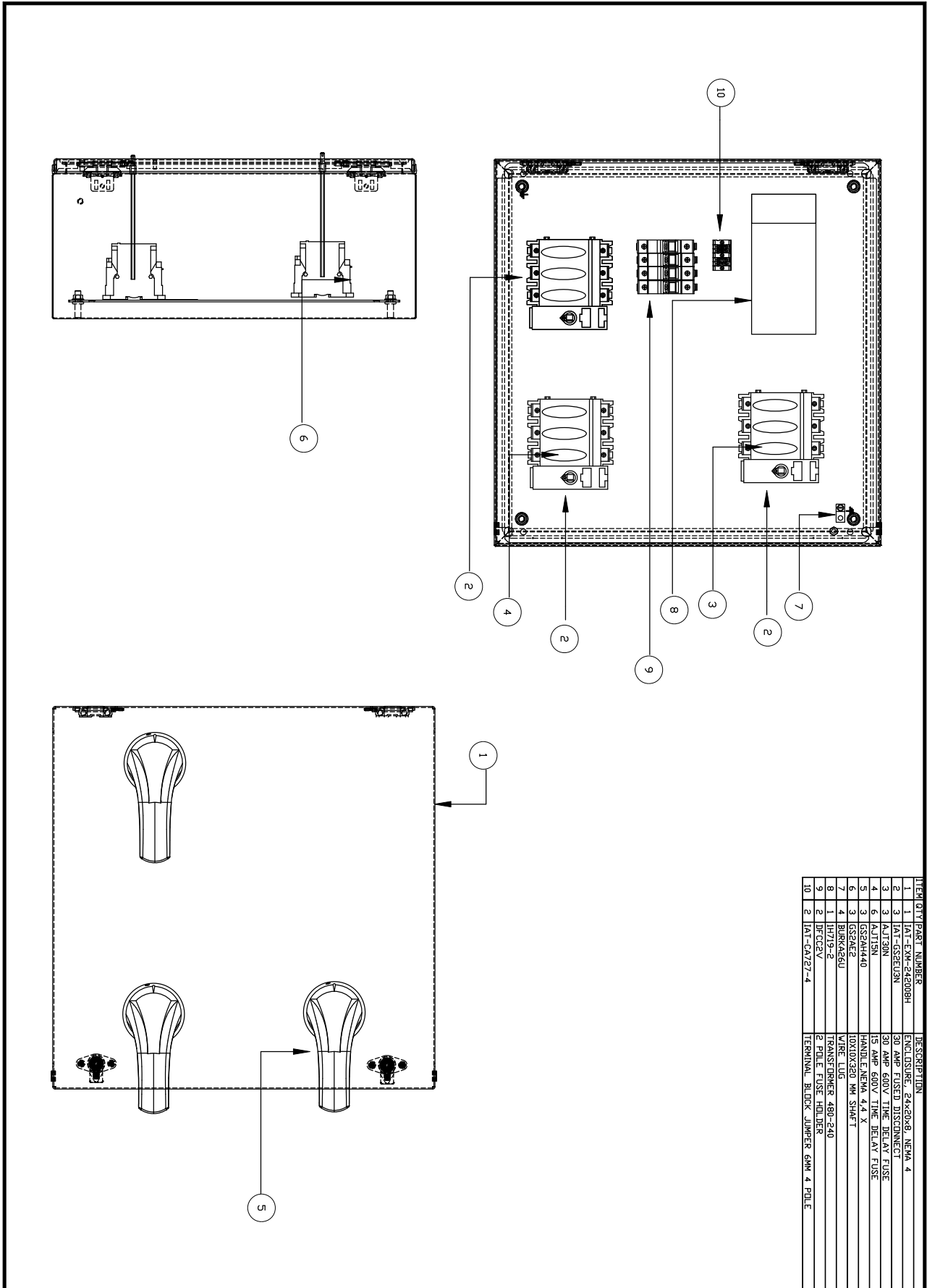
**ALWAYS ENSURE POWER IS COMPLETELY TURNED OFF AT THE MAIN DISCONNECT BEFORE SERVICING THE COMPRESSOR. FAILURE TO DO SO CAN RESULT IN SERIOUS INJURY OR DEATH.**

# 480V Disconnect Diagram



1	1	AJT30N	30 AMP 600V TIME DELAY FUSE
2	1	AJT15N	15 AMP 600V TIME DELAY FUSE

# 480V Disconnect Diagram





**Industrial Gold**

600 S 2nd Ave  
Mansfield, TX, 76063

**1-800-531-9656**

Fax 972-352-6364

**Quality Air Compressor at a Great Price.**