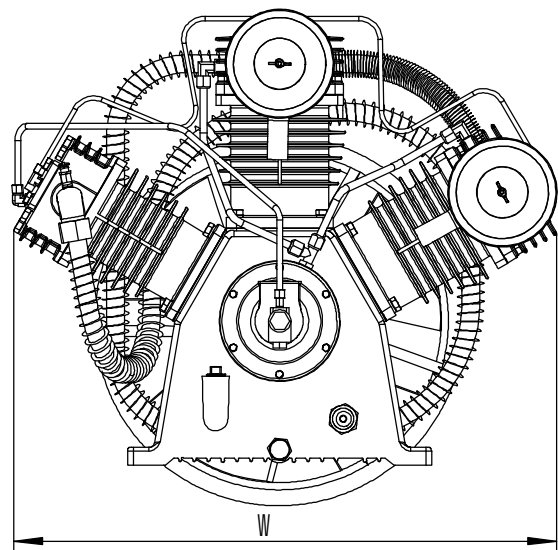
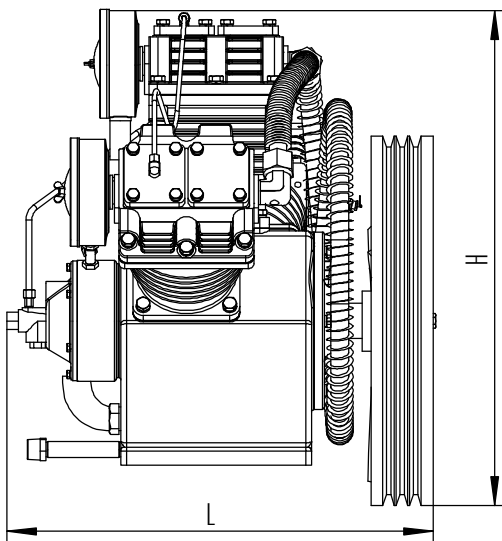


Dimensions		
A	inch	15.590
	mm	396
B	inch	8.976
	mm	228
C	inch	7.09
	mm	180
L	inch	22.8
	mm	580
W	inch	30.12
	mm	765
H	inch	27.44
	mm	697
Weight	lb	366
	kg	166

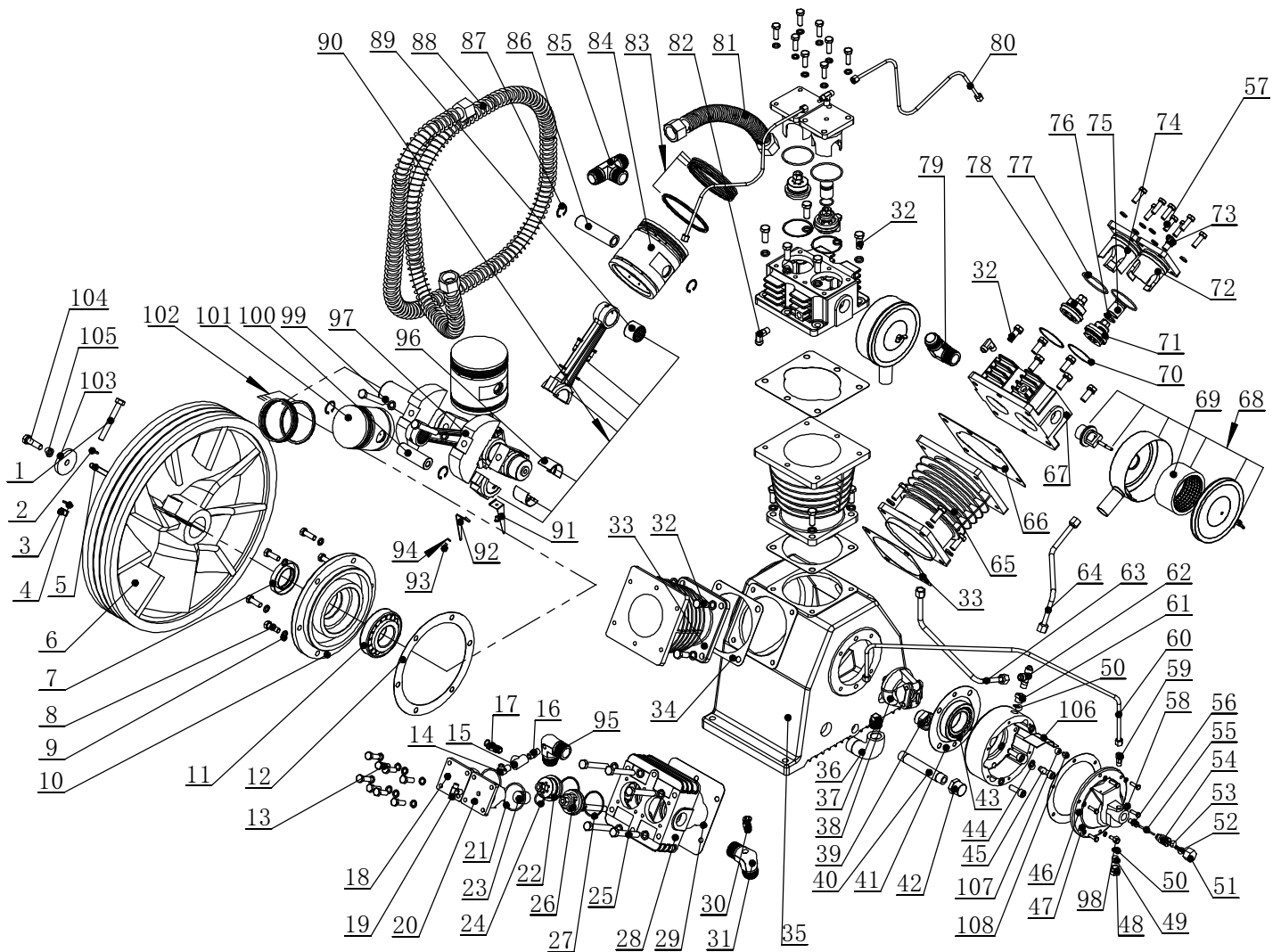
CA3 Technical Data		
Motor	HP	15
	KW	11
Air Delivered	ACFM	53/56.5
	m <sup>3</sup> /min	1.5/1.6
Pressure	PSI	175
	Bar	12.25
RPM	950	
Cylinders	3	
Bore	inch	4.92/3.74
	mm	125/95
Stroke	inch	3.15
	mm	80
Flywheel dia.	inch	20.7
	mm	526
Groove Type	B	



MODEL CA3 TWO STAGE AIR COMPRESSOR PUMP

800-531-9656

[www.IndustrialGold.com](http://www.IndustrialGold.com)



MODEL CA3 TWO STAGE AIR COMPRESSOR PUMP

800-531-9656

[www.IndustrialGold.com](http://www.IndustrialGold.com)



PARTS LIST			
ITEM	PARTS#	DESCRIPTION	QTY
1	M16X100W	HEXAGON HEAD BOLT M16×100	1
2	M16P	PLAIN WASHER Ø16	1
3	M16L	HEX NUT M16	1
4	M16T	SPRING LOCKWASHER Ø16	3
5	80020	KEY B10×60	1
6	1251069	FLYWHEEL CA3	1
7	431014	OIL SEAL CA3	1
8	M10X35W	HEXAGON HEAD BOLT M10×35	6
9	M10T	SPRING LOCKWASHER Ø10	34
10	100013	CAP-FRONT CA3	1
11	121078	BEARING 32210	1
12	431012	GASKET-FRONT CAP CA3	1(*a)
13	M10X30W	HEXAGON HEAD BOLT M10X30	24
14	12949	ELBOW-CENTRIFUGAL UNLOADER TUBE NPT1/4×1/2-24	1
15	48139-2	TEE 1/4NPTF×1/4NPTF×1/4NPT	1
16	48139-1	CONNECTOR 1/4NPT	1
17	ST25-250	SAFETY VALVE ASME 1/4NPT 250PSI	1
18	221031	HOLD-DOWN COVER-DISCH CA3	1
19	42384	TEE-UNLOADER TUBE	2
20	221032	H. P. HOLD DOWN COVER-INLET CA3	1
21	331033	H. P. "O"RING-HOLD DOWN COVER CA3	2
22	431037-1	H. P. DISCH VALVE CA3	1
23	331034	H. P. UNLOADER PISTON CA3	1
24	331035	H. P. "O"RING-UNLOADER PISTON CA3	1
25	M10X80W	HEXAGON HEAD BOLT M10X80	6
26	431040-1	H. P. INLET VALVE CA3	1
27	331036	H. P. COPPER GASKET-VALVE CA3	2
28	331038	H. P. HEAD CA3	1
29	431035	GASKET-H. P. CYLINDER HEAD CA3	1(*a)
30	ST25-75	SAFETY VALVE ASME 1/4NPT 75PSI	1
31	1251014	H. P. INLET ELBOW CA3	1
32	M12X35W	HEXAGON HEAD BOLT M12×35	24
33	1251016	CYLINDER-H. P. CA3	1
34	431033	GASKET-CYLINDER TO CRANKCASE	3(*a)
35	1251018	CRANKCASE CA3	1

MODEL CA3 TWO STAGE AIR COMPRESSOR PUMP  
800-531-9656  
www.IndustrialGold.com



PARTS LIST			
ITEM	PARTS#	DESCRIPTION	QTY
36	4127-A	OIL FILL ELBOW CA1	1
37	16004	PLUG CA1	1
38	43457	CENTRIFUGAL UNLOADER ASSEMBLY	1
39	731005	OIL SIGHT GLASS NPT1	1
40	231002	OIL DRAIN PIPE NPT1/2×90	1
41	331003	GASKET-REAR CAP CA3	1(*a)
42	231001	DRAIN PIPE CAP	1
43	431011	BEARING 30310	1
44	1251020	CAP-REAR CA3	1
45	M10X35F	CAPSCREW SKT HD M10×35	4
46	38267	GASKET-CENTRIFUGAL UNLOADER HOUSING	1(*a)
47	38174	CENTRIFUGAL UNLOADER HOUSING	1
48	38178	FILTER NUT NPT3/8	1
49	38193	FELT	1
50	38192	FILTER SCREEM	2
51	38184	UNLOADER VALVE RETAINER NUT	1
52	38194	UNLOADER VALVE RETURN SPRING	1
53	9325	BALL-1/4"DIA. $\varnothing$ 6. 35	1
54	38185	UNLOADER VAVLE RETAINER	1
55	38182	UNLOADER VAVLE STEM	1
56	38188	UNLOADER VAVLE GUIDE	1
57	M6X25F	HEX HEAD BOLT M6×25	6
58	M6T	LOCKWASHER $\varnothing$ 6	6
59	12950-1	STRAIGHT BREATHER CONNECTOR 1/8"NPT×1/2-24	1
60	1251024	CENTRIFUGAL UNLOADER TUBE $\varnothing$ 8×810	1
61	18153	BUSHING 3/8"NPT×1/4"NPT	1
62	43456	BREATHER TUBING TEE 1/4"NPT×1/4"×1/4"	1
63	43457	BREATHER TUBE $\varnothing$ 10×320	1
64	39610	BREATHER TUBE $\varnothing$ 10×270	1
65	1251027	L.P. CYLINDER	2
66	431035	GASKET-L. P. CYLINDER HEAD CA3	2(*a)
67	430009	L. P. HEAD CA3	2
68	431021	FILTER-INLET ASSEMBLY CA3	2
69	431022	FILTER-REPLACEMENT ELEMENT CA3	2
70	431036	L. P. COPPER GASKET-VALVE CA3	4

MODEL CA3 TWO STAGE AIR COMPRESSOR PUMP  
800-531-9656  
www.IndustrialGold.com



PARTS LIST			
ITEM	PARTS#	DESCRIPTION	QTY
71	431040	L. P. INLET VALVE CA3	2
72	431043	L. P. HOLD DOWN COVER-INLET CA3	2
73	3609-K	1/8PT ELBOW-UNLOADER TUBE	1
74	431039	L. P. HOLD DOWN COVER-DISCH CA3	2
75	431041	L. P. UNLOADER PISTON CA3	2
76	431042	"O"RING-L. P. UNLOADER PISTON CA3	2
77	431038	"O"RING-L. P. HOLD DOWN COVER CA3	4
78	431037	L. P. DISCH VALVE CA3	2
79	722006	ELBOW CA3	1
80	1251043	UNLOADER TUBE $\phi 6 \times 620$	2
81	431954	INTERCOOLER TUBE CA3	1
82	690	BREATHER ELBOW $\phi 10$	2
83	1251045	L. P. PISTON RING SET $\phi 125$ CA3	2(*c)
84	1251046	L. P. PISTON $\phi 125$ CA3	2
85	331028	TEE CA3	1
86	431030	L. P. WRIST PIN-PISTON $\phi 28 \times 110$ CA3	2
87	431031	SNAP RING-HOLE $\phi 28$	6
88	431055	INTERCOOLER TUBE CA3	1
89	1251051	NEEDLE BEARING TA2830ZOH	3
90	431024	CONNECTING ROD CA3	3
91	431027	STRAIGHT DIPPER-OIL CA3	1
92	431028	OBLIQUE DIPPER-OIL CA3	2
93	M5X12F	CAPSCREW SKT HD M5 $\times$ 12	3
94	M5T	SPRING LOCKWASHER $\phi 5$	3
95	431052	H. P. DISCH ELBOW CA3	1
96	431025	HALF INSERTS FS120	3 PAIRS
97	430004	BALANCE IRON FS120	2
98	M16X80W	HEXAGON HEAD BOLT M16 $\times$ 80	2
99	1251060	CRANKSHAFT CA3	1
100	1251061	H. P. WRIST PIN-PISTON $\phi 28 \times 84$ CA3	1
101	1251062	H. P. PISTON $\phi 95$ CA3	1
102	1251063	H. P. PISTON RING SET $\phi 95$ CA3	1(*c)
103	331017	SPACER-FLYWHEEL CA3	1
104	M12X40W	HEXAGON HEAD BOLT M12 $\times$ 40	1
105	M12T	SPRING LOCKWASHER $\phi 12$	24

MODEL CA3 TWO STAGE AIR COMPRESSOR PUMP  
800-531-9656  
www.IndustrialGold.com

