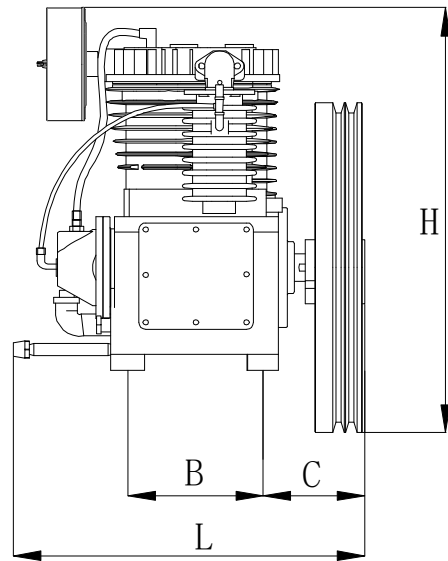
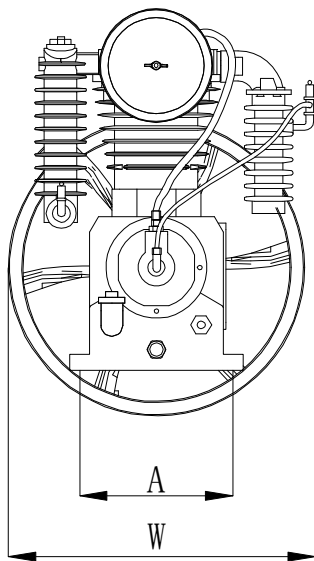


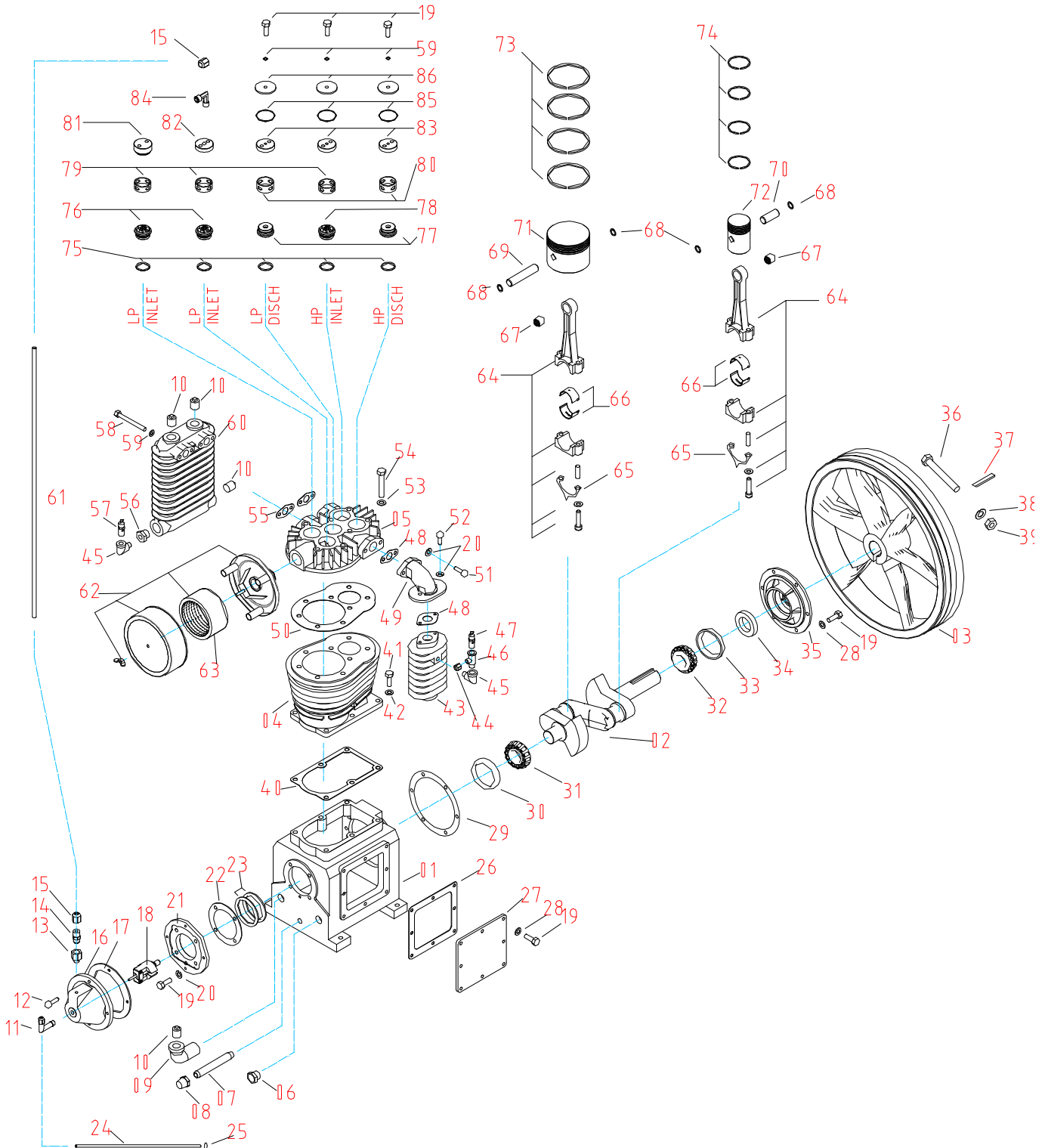
CA1 Technical Data			
Motor	HP	5	7.5
	KW	4	5.5
Air Delivered	ACFM	18	23
	m ³ /min	0.5	0.65
Pressure	PSI	175	
	Bar	12.25	
RPM	790/910		
Cylinders	2		
LP Bore	inch	4.134	
	mm	105	
HP Bore	inch	2.165	
	mm	55	
Stroke	inch	3.504	
	mm	89	
Flywheel Dia.	inch	16.89	
	mm	429	
Groove Type	B		

Dimensions		
A	inch	9
	mm	228.6
B	inch	7.75
	mm	196.85
C	inch	5.4
	mm	137.2
L	inch	19.57
	mm	497
W	inch	17.91
	mm	455
H	inch	23.03
	mm	585
Weight	lb	180.30
	kg	81.8
QTY/20' GP Container	PCS	144
QTY/40' GP Container	PCS	280



MODEL CA1 TWO STAGE AIR COMPRESSOR PUMP

800-531-9656
www.IndustrialGold.com



MODEL CA1 TWO STAGE AIR COMPRESSOR PUMP

800-531-9656
www.IndustrialGold.com



CA1 PARTS

ITEM	PARTS#	DESCRIPTION	QTY
1	708000	CRANKCASE CA1	1
2	709000	CRANKSHAFT CA1	1
3	713001	FLYWHEEL CA1	1
4	711000	CYLINDER CA1	1
5	710000A	HEAD CA1	1
6	731005	OIL SIGHT GLASS CA1	1
7	10205	OIL DRAIN PIPE CA1	1
8	37001	OIL DRAIN PIPE CAP CA1	1
9	4127-A	OIL FILL ELBOW CA1	1
10	160004	PLUG CA1	4
11	070400	ELBOW-VALVE & UNLOADER CA1	1
12	M6X20W	CAPSREW-SKT HD M6X20	4
13	S-527-1	BREATHER BODY CA1	1
14	12950	COPPER CONNECTOR CA1	1
15	621	COPPER NUT CA1	2
16	728004	COVER-CENTRIFUGAL UNLOADER CA1	1
17	070116	CASKET-UNLOADER COVER CA1	1(*a)
18	6109	CENTRIFUGAL UNLOADER CA1	1
19	M8X25W	CAPSCREW-HEX M8X25	21
20	M8T	LOCKWASHER Φ 8	8
21	701001	CAP-REAR CA1	1
22	070172	CASKET-REAR CAP CA1	1(*a)
23.1	090094	SHIM-0.20 BRG ADJUSTMENT CA1	1
23.2	090093	SHIM-0.10 BRG ADJUSTMENT CA1	2
24	150018	ASSEMBLY-FAU TUBE Φ 6X450	1
25	31796	COPPER SEAL RING	1
26	070164	GASKET-SIDE COVER CA1	1(*a)
27	4053	COVER- CRANKCASE SIDE CA1	1
28	070201	COPPER GASKET Φ 8	14
29	070163	CASKET-FRONT CAP CA1	1(*a)
30	050159-1	BEARING CAP-REAR CA1	1
31	050159	BEARING CONE-REAR CA1	1
32	050158	BEARING CONE-FRONT CA1	1
33	050158-1	BEARING CAP-FRONT CA1	1
34	060068	SEAL-SHAFT CA1	1

MODEL CA1 TWO STAGE AIR COMPRESSOR PUMP

800-531-9656
www.IndustrialGold.com



CA1 PARTS

ITEM	PARTS#	DESCRIPTION	QTY
35	701000	CAP-FRONT CA1	1
36	110108	CAPSCREW-HEX M16X120	1
37	080029	KEY-FLYWHEEL CA1	1
38	M16T	LOCKWASHER Φ 16	1
39	M16L	NUT-HEX M16	1
40	070162	GASKET-CYLINDER TO CRANKCASE CA1	1(*a)
41	M10X30W	CAPSCREW-HEX M10X30	6
42	070203	COPPER GASKET Φ 10	6
43	706004	AFTERCOOLER CA1	1
44	31797	COPPER NUT CA1	1
45	160003	ELBOW-STREET CA1	2
46	16003-A	TEE-MALE TUBE	1
47	ST25-250	VALVE-SAFETY 250PSI	1
48	070167	GASKET-AFTERCOOLER CA1	2(*a)
49	706002	ELBOW-AFTERCOOLER CA1	1
50	070161	GASKET-CYLINDER HEAD CA1	1(*a)
51	M8X30F	CAPSREW-SKT HD M8X30	2
52	M8X25F	CAPSREW-SKT HD M8X25	2
53	M12T	LOCKWASHER Φ 12	8
54	M12X70W	CAPSCREW-HEX M12X70	8
55	071069	GASKET-INTERCOOLER CA1	2(*a)
56	160002	BUSHING- REDUCING CA1	1
57	ST25-75	VALVE-SAFETY 75PSI	1
58	M8X90W	CAPSCREW-HEX M8X90	4
59	070204	COPPER GASKET B Φ 8	7
60	706000	INTERCOOLER CA1	1
61	150017	ALUMINUM TUBE Φ 10X380	1
62	712140	FILTER-INLET ASSEMBLY CA1	1
63	712114	FILTER-REPLACEMENT ELEMENT CA1	1
64	705001	CONNECTING ROD CA1	2
65	705003	DIPPER-OIL CA1	2
66	050122	INSERT HALF CA1	4
67	050166	BEARING WRISTPIN NEEDLE CA1	2
68	200100	SNAP RING-INTERNAL CA1	4
69	729000	WRIST PIN-LP PISTON CA1	1

MODEL CA1 TWO STAGE AIR COMPRESSOR PUMP

800-531-9656
www.IndustrialGold.com



CA1 PARTS

ITEM	PARTS#	DESCRIPTION	QTY
70	729006	WRISTPIN-HP PISTON CA1	1
71	720000	PISTON-LP CA1	1
72	720002	PISTON-HP CA1	1
73	719064	PISTON RING SET-LP CA1	1
74	719088	PISTON RING SET-HP CA1	1
75	070202	COPPER GASKET-VALVE SEAT CA1	5(*a)
76	727000	VALVE ASSEMBLY-LP INLET CA1	2
77	727002	VALVE ASSEMBLY-HP/LP DISCH CA1	2
78	727001	VALVE ASSEMBLY-HP INLET CA1	1
79	727003	SPACER-INLET VALVE CA1	2
80	727004	SPACER-DISCHARGE VALVE CA1	3
81	727136	RETAINER-INLET VALVE CA1	1
82	727134	RETAINER-INLET VALVE CA1	1
83	727135	RETAINER-DISCHARGE VALVE CA1	3
84	690	COPPER ELBOW CA1	1
85	070170	GASKET-VALVE COVER CA1	3(*a)
86	727136-2	COVER-VALVE CA1	3
*a	070245	GASKET SET CA1	1

MODEL CA1 TWO STAGE AIR COMPRESSOR PUMP

800-531-9656
www.IndustrialGold.com