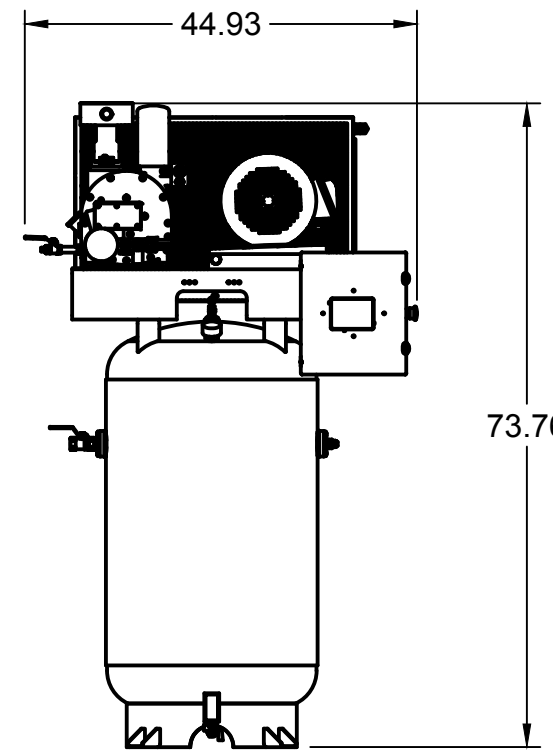
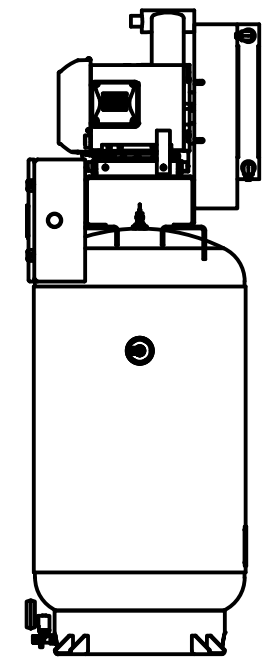
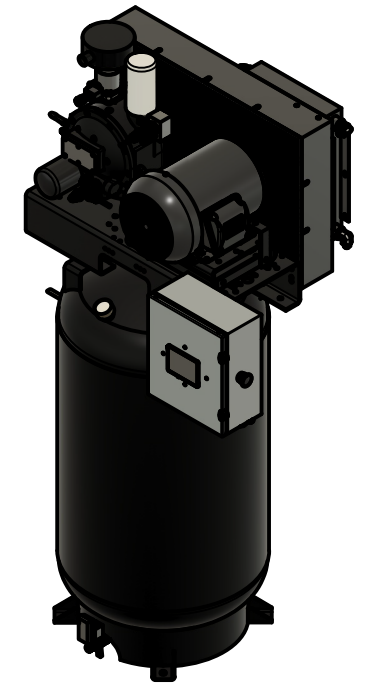


26.63

TOP VIEW



FRONT VIEW

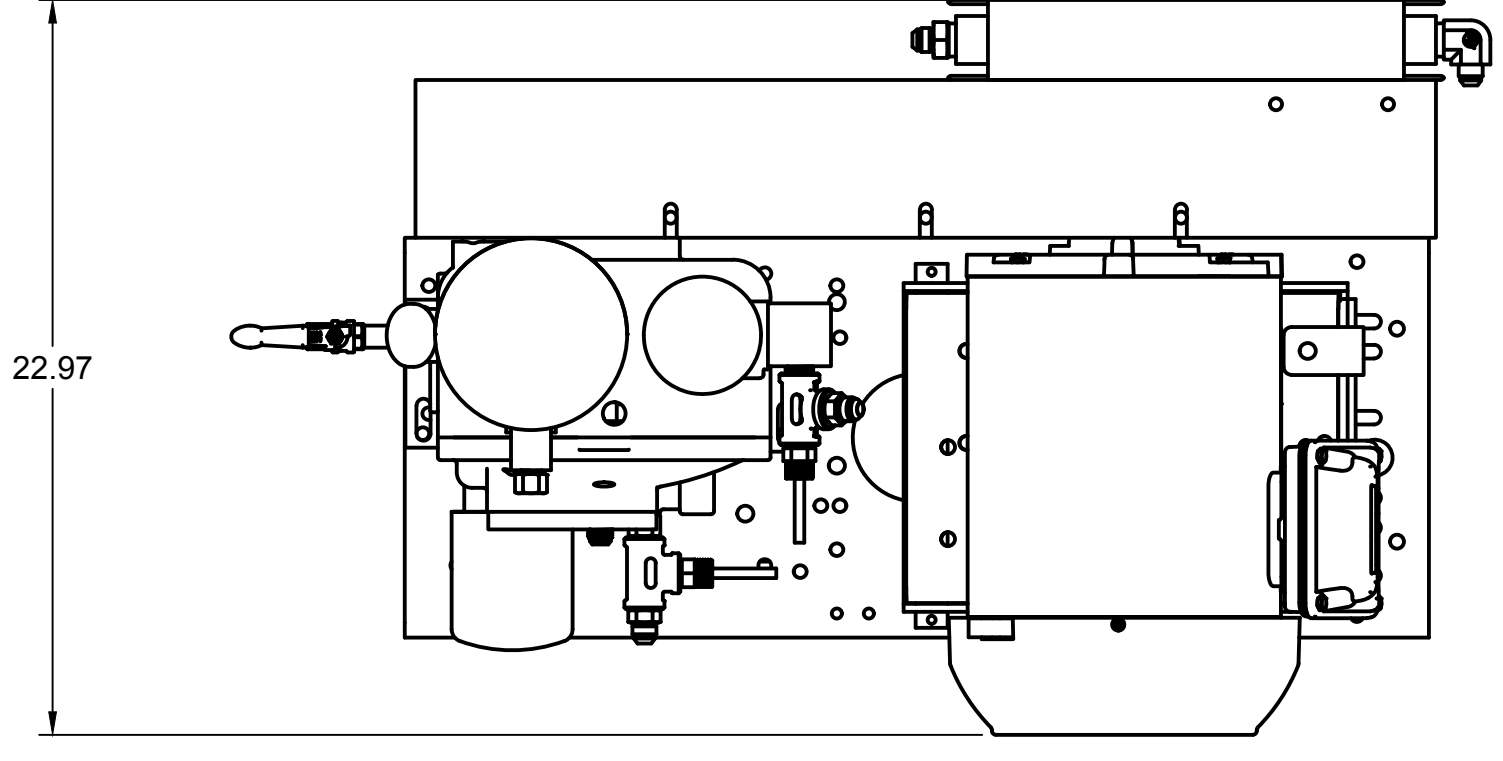
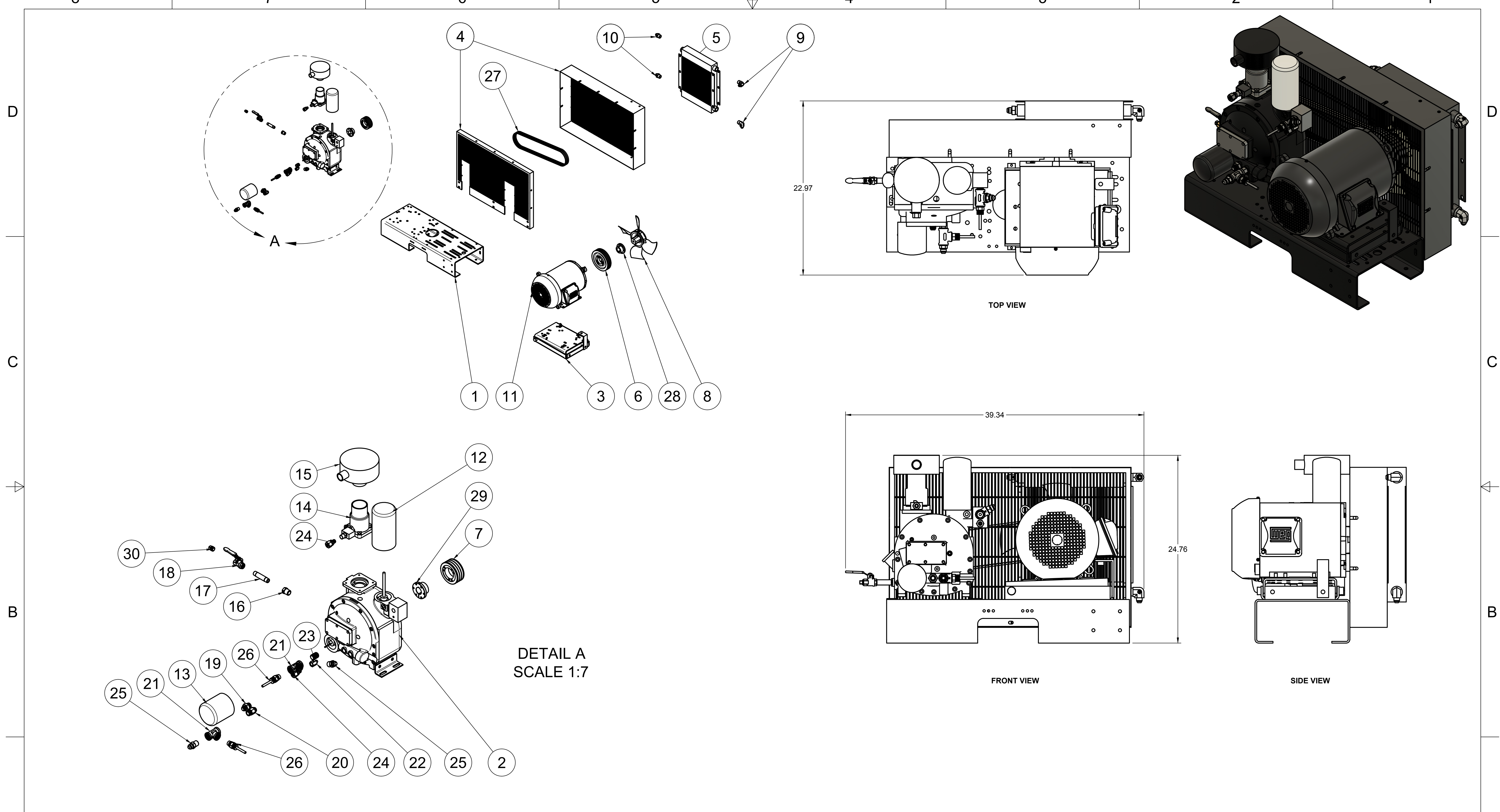


SIDE VIEW

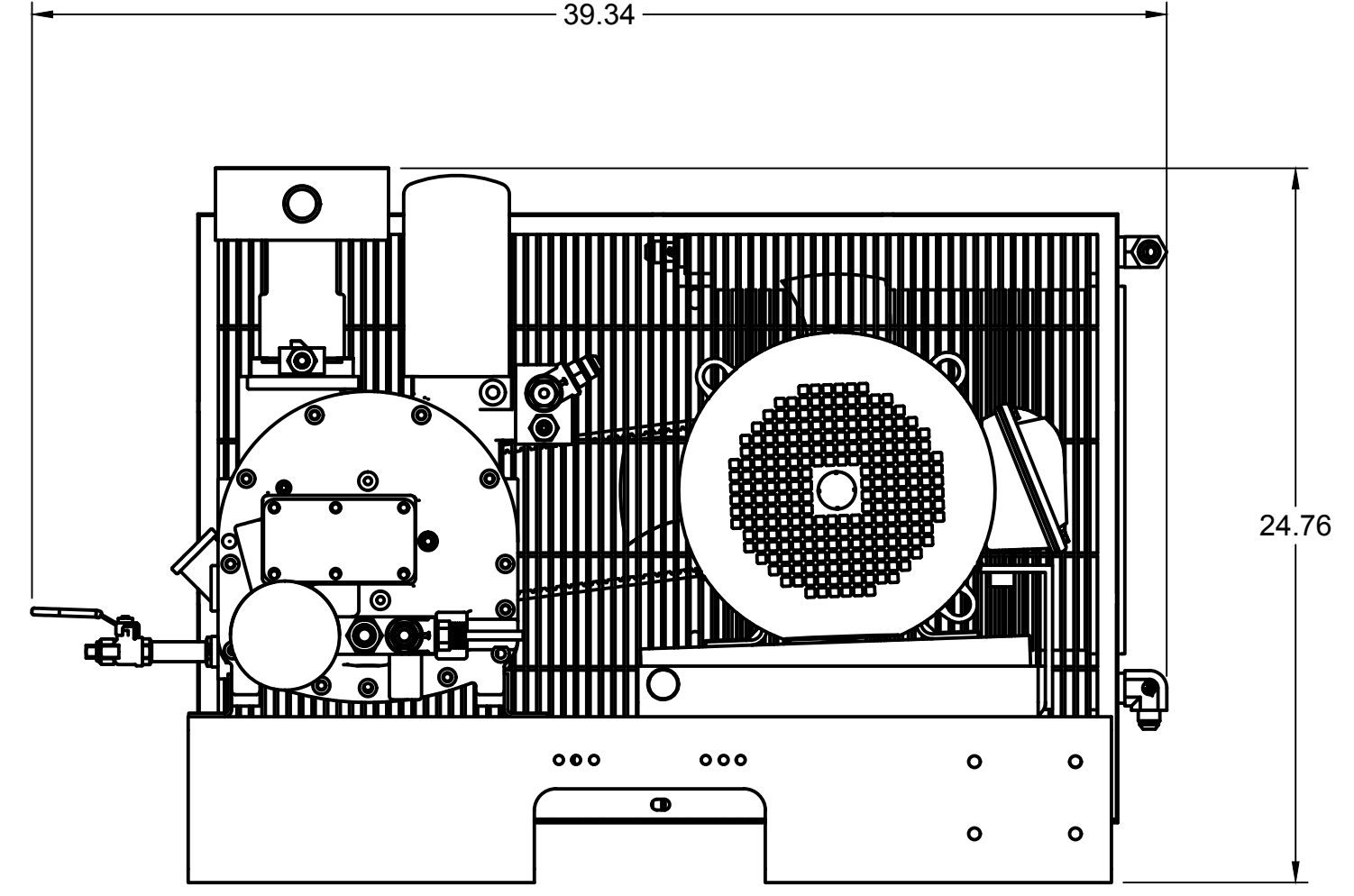
PARTS LIST

| ITEM | QTY | PART NUMBER | DESCRIPTION |
|------|-----|---------------------|-------------------------------|
| 1 | 1 | IAT-T80VRSE | 80 GALLON VERT SCREW ELITE |
| 2 | 1 | IAT-RS101E3-24V | 10HP 3P RS3 24V SKID ASSEMBLY |
| 3 | 1 | IAT-RSPNL7102301HMI | 5HP 208-230/1/60 RS HMI PNL |

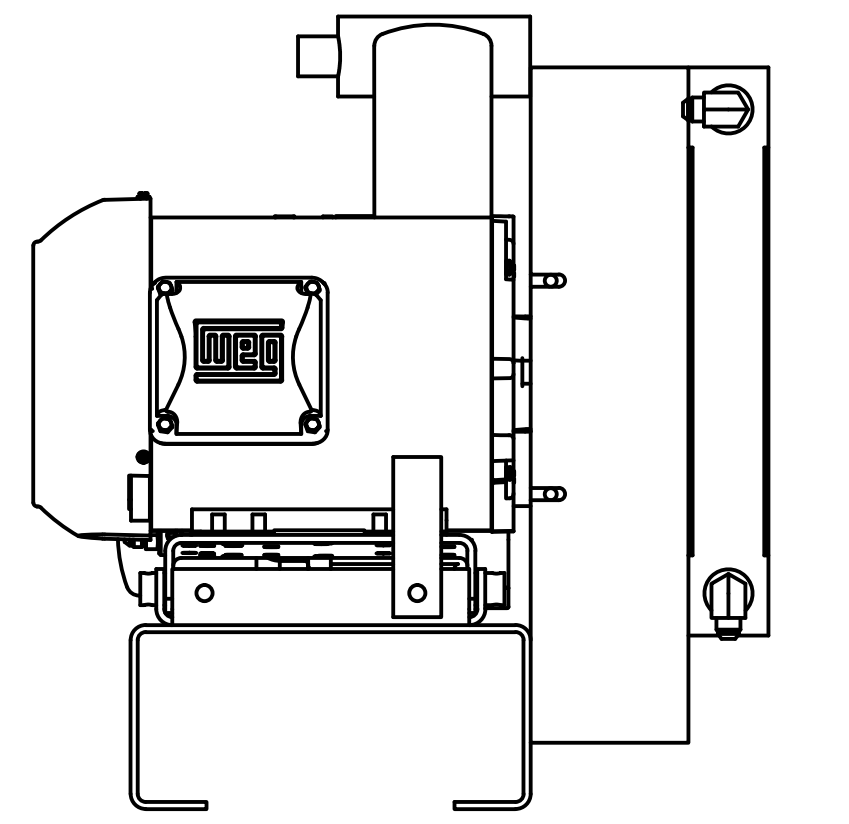
**TANK DISCHARGE
OUTLET SIZE: 3/4"**



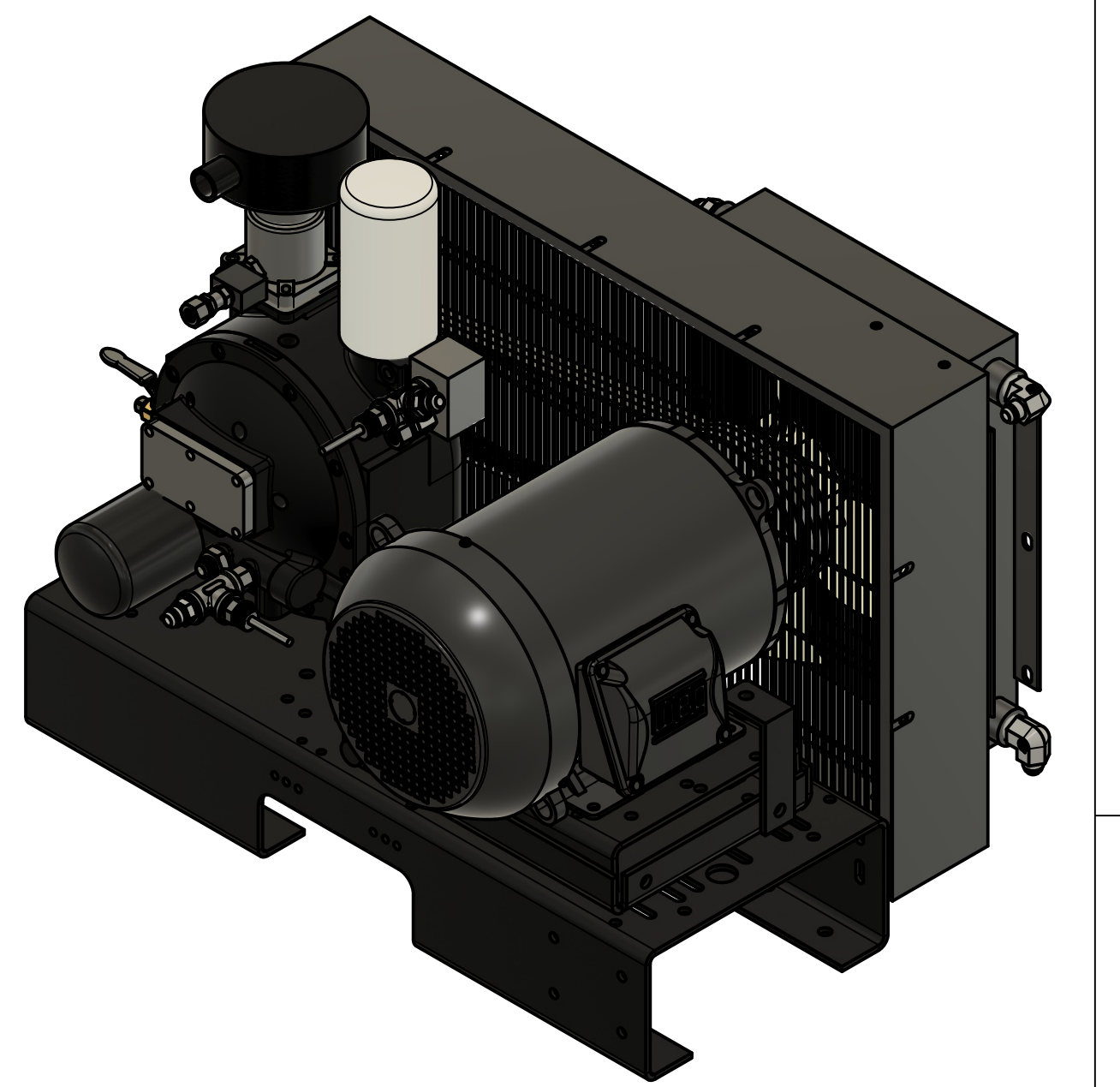
TOP VIEW



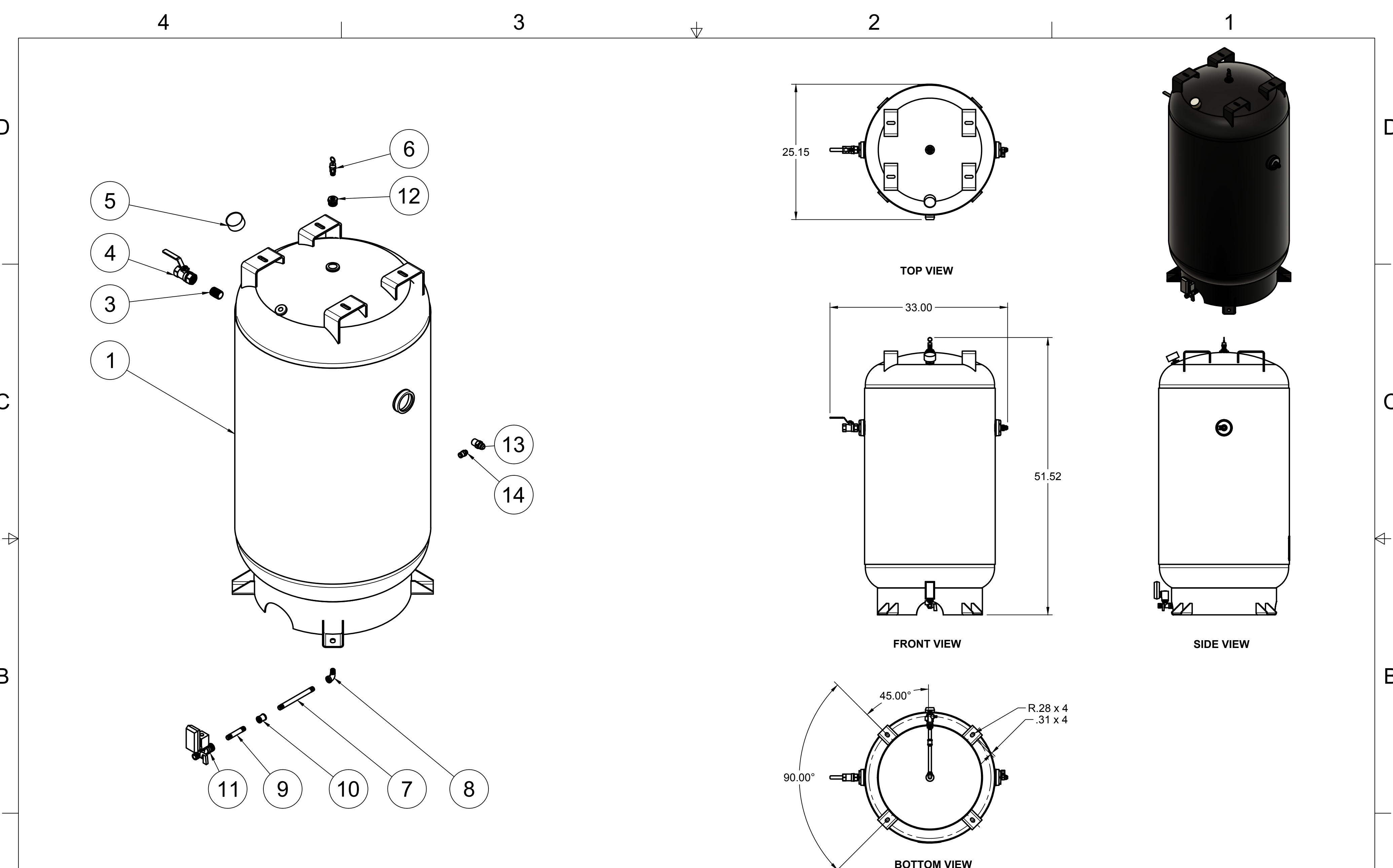
FRONT VIEW



SIDE VIEW



| PARTS LIST | | | | PARTS LIST | | | | PARTS LIST | | | |
|------------|-----|------------------------|--------------------------------|------------|-----|----------------------|-------------------------------|------------|-----|--------------------|--------------------------------|
| ITEM | QTY | PART NUMBER | DESCRIPTION | ITEM | QTY | PART NUMBER | DESCRIPTION | ITEM | QTY | PART NUMBER | DESCRIPTION |
| 1 | 1 | IAT-TP32BKWR (CURRENT) | 32IN TOP PLATE | 11 | 1 | IAT-010180S1CCD215T | 10HP 1 PH 1750 RPM | 21 | 2 | IAT-1/2TEE BKPIPE | 1/2" TEE GALV PIPE |
| 2 | 1 | IAT-RS3 | 5-15HP ENCAPSULATED AIREND | 12 | 1 | IAT-SE-1 | NK30/31/40/60 SEPARATOR | 22 | 1 | IAT-5405-02-04 | 1/8 X 1/4 ADAPTER |
| 3 | 1 | IAT-184-215TMP | 184-215T MOTOR PLATE | 13 | 1 | IAT-OF1 | NK30/31/40, EVO1/2, GCU11 O/F | 23 | 1 | IAT-PF1/2" CL | 1/2" CLOSE NIPPLE GALV |
| 4 | 1 | IAT-BG5X18X32X10G-V2 | BELT GUARD 11-15HP GAS NEW | 14 | 1 | IAT-RS3-IVC-2 | RS3 COMPLETE INLET VALVE 24VD | 24 | 2 | IAT-BC-2404-08-04 | 1/4 NPT X 1/2 BC FITTING |
| 5 | 1 | IAT-R-14366 | OIL COOLER 5-10 HP | 15 | 1 | IAT-RS3-ODM-INTAKE | AIR FILTER HOUSING RS3 | 25 | 2 | IAT-2404-08-08 | JIC1/2 STRAIGHT FITTING O-RING |
| 6 | 1 | IAT-3-3V800 | 3 GROOVE 6.9 INCH PULLEY SDS | 16 | 1 | IAT-PF1/2X3/8REDUCE | 1/2" X 3/8" BK REDUCE | 26 | 2 | IAT-RTD-SS-1/2-10 | 1/2" STAINLESS RTD |
| 7 | 1 | IAT-3-3V4.75 | 3 GROOVE 3.65 INCH PULLEY SH | 17 | 1 | IAT-PF3/8X3NIPPLE | 3/8" X 3 NIPPLE | 27 | 1 | IAT-3R3VX530 | 3VX 3 GROOVE BANDED BELT |
| 8 | 1 | IAT-026034C441 | RS FAN 1 3/8 HUB PULLER | 18 | 1 | IAT-716113 | 3/8" BALL VALVE | 28 | 1 | IAT-SK13/8 | PULLEY HUB |
| 9 | 2 | IAT-2501-08-12-O | 3/4 MP X 1/2 M JIC 90 DEG R IN | 19 | 1 | IAT-BPP-MJ2404-08-06 | 3/8 M BPP X 1/2 M JIC | 29 | 1 | IAT-SDS28MM | 28MM HUB |
| 10 | 2 | IAT-2404-08-12-O | 3/4MP X 1/2 M JIC STRAIGHT OR | 20 | 1 | IAT-BPP-MP-5404-06-8 | 3/8 M BPP X 1/2 M JIC | 30 | 1 | IAT-PF3/8"BLK PLUG | 3/8" GALVANIZED PLUG |



PARTS LIST

| ITEM | QTY | PART NUMBER | DESCRIPTION |
|------|-----|---------------------|-----------------------|
| 1 | 1 | IAT-80VNTPBKWR | 80 GALLON BLACK TANK |
| 3 | 1 | IAT-PF3/4"CL | 3/4" CLOSE NIPPLE BL |
| 4 | 1 | IAT-716116 | BALL VALVE 3/4 |
| 5 | 1 | IAT-PSB20 | AIR GAUGE BACK MT 1/4 |
| 6 | 1 | IAT-ST25-200 | SAFETY VALVE 200 PSI |
| 7 | 1 | IAT-PF1/4X6NIPPLE | 1/4" X 6 NIPPLE |
| 8 | 1 | IAT-PF1/4" STR 90 B | 1/4" STREET 90 GALV |

PARTS LIST

| ITEM | QTY | PART NUMBER | DESCRIPTION |
|------|-----|---------------------|-------------------------------|
| 9 | 1 | IAT-PF1/4X3NIPPLE | 1/4" X 3" NIPPLE |
| 10 | 1 | IAT-PF1/4COUPLING | 1/4 COUPLING |
| 11 | 1 | IAT-ET2523 | TIMED AUTO DRAIN |
| 12 | 1 | IAT-PF3/4X1/4REDUCE | 3/4X1/4 REDUCER GAL |
| 13 | 1 | IAT-2404-08-08-H | 1/2MP X 1/2M JIC STR WITH 1/4 |
| 14 | 1 | IAT-BPC-2404-06-04 | 1/4 P X 3/8 COMP PUSH LOK ST |

A

A