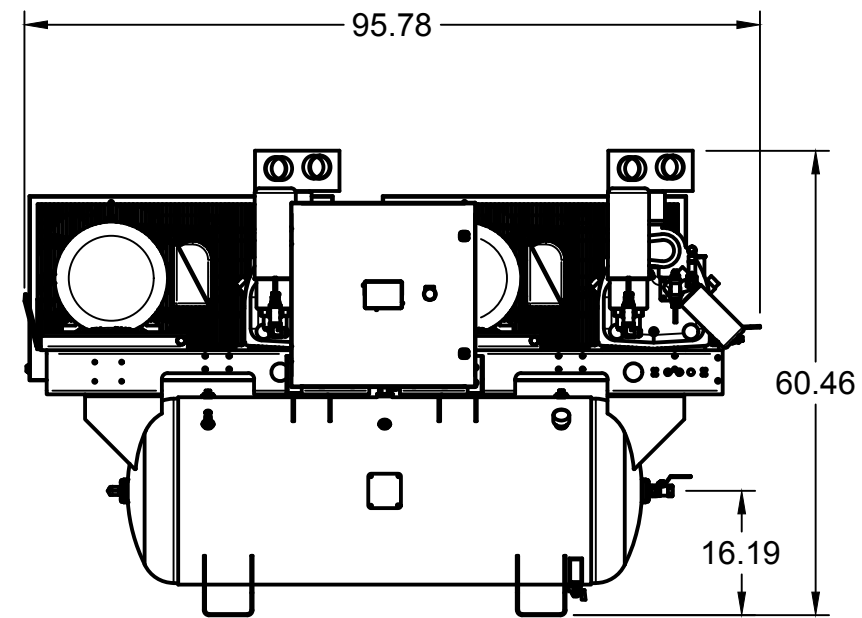
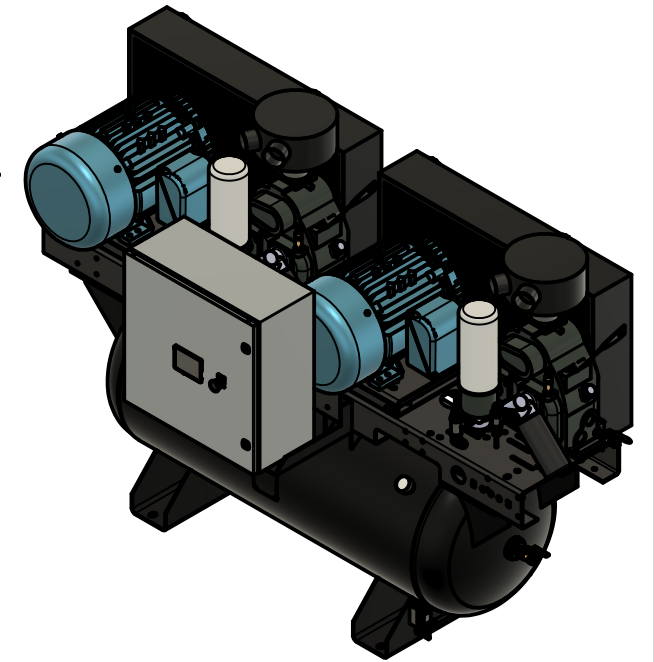
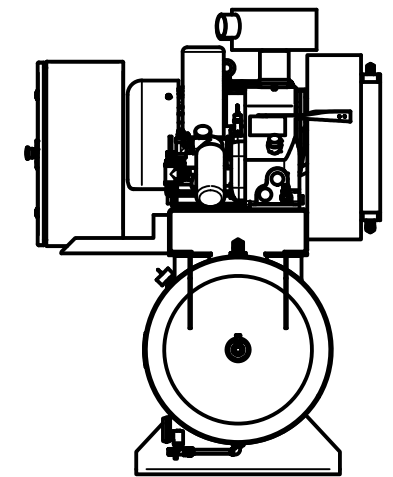


TOP VIEW



FRONT VIEW

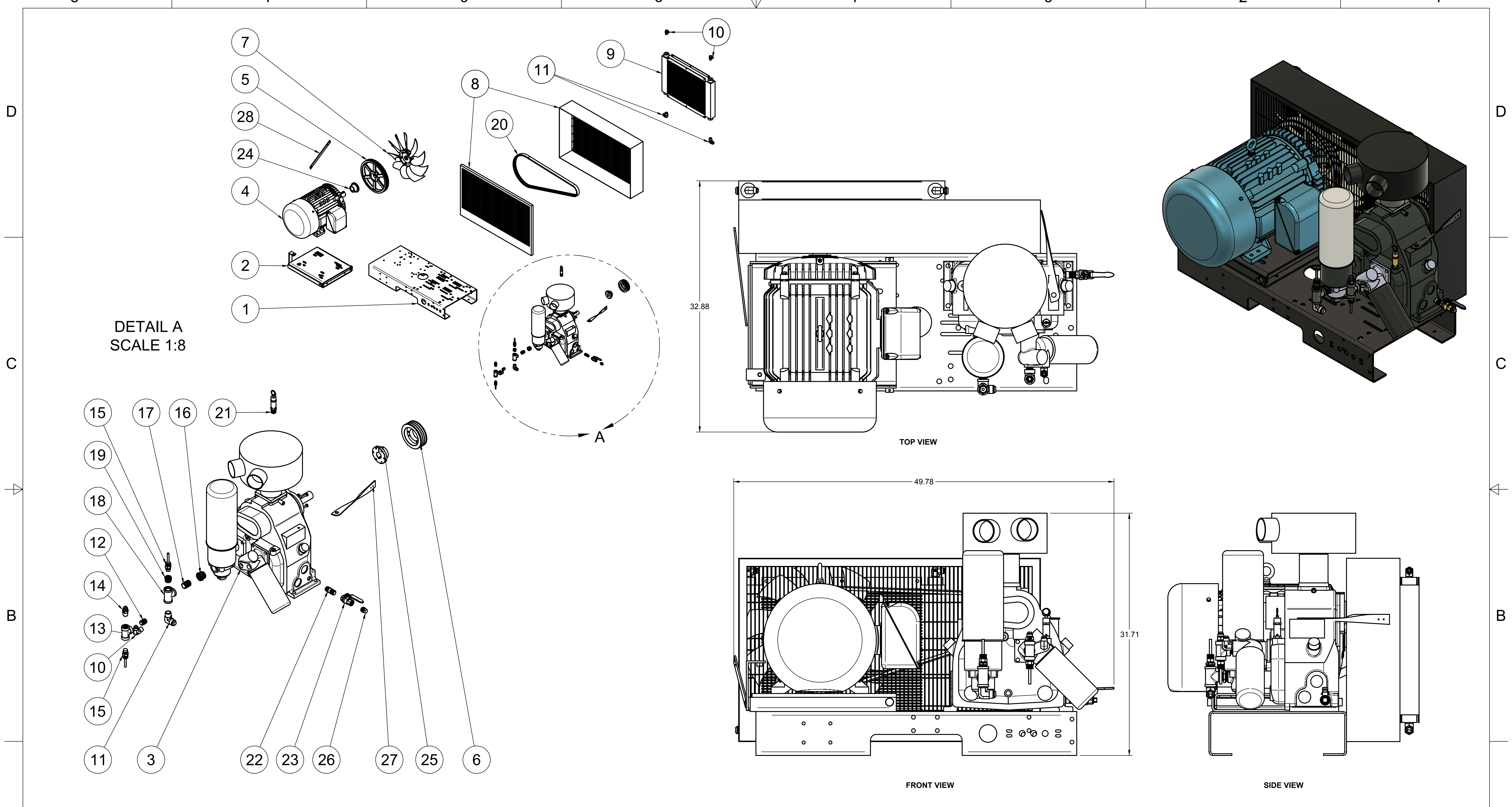


SIDE VIEW

PARTS LIST

| ITEM | QTY | PART NUMBER           | DESCRIPTION                     |
|------|-----|-----------------------|---------------------------------|
| 1    | 1   | IAT-T120HRS-DUP6      | DUPLEX ROTARY RS6 ELITE         |
| 2    | 2   | IAT-RS303E6-24V       | 30HP RS6 24V SKID ASM           |
| 3    | 1   | IAT-EOG-PNL-BRK-LT    | EOG PANEL BRKLT LEFT            |
| 4    | 1   | IAT-EOG-PNL-BRK-RT    | EOG PANEL BRKLT RIGHT           |
| 5    | 1   | IAT-DRSPNL15-20230HMI | 15-20HP 230/3/60 DUP RS HMI PNL |

**TANK DISCHARGE  
OUTLET SIZE: 3/4"**



| PARTS LIST |     |                      |                                | PARTS LIST |     |                     |                                | PARTS LIST |     |                     |                             |
|------------|-----|----------------------|--------------------------------|------------|-----|---------------------|--------------------------------|------------|-----|---------------------|-----------------------------|
| ITEM       | QTY | PART NUMBER          | DESCRIPTION                    | ITEM       | QTY | PART NUMBER         | DESCRIPTION                    | ITEM       | QTY | PART NUMBER         | DESCRIPTION                 |
| 1          | 1   | IAT-TP42BKWR         | 42IN TOP PLATE                 | 11         | 3   | IAT-2501-12-12-O    | 3/4MPT X3/4 JIC 90 ORING       | 21         | 1   | IAT-SF50-215        | 1/2 215 PSI SAFETY VALVE    |
| 2          | 1   | IAT-254-324TMP       | 254-324T MOTOR PLATE           | 12         | 1   | IAT-PF1/2" CL       | 1/2" CLOSE NIPPLE GALV         | 22         | 1   | IAT-PF1/2"X2"NIP BL | 1/2" X 2" NIPPLE GALV       |
| 3          | 1   | IAT-RS6-24V          | ROTARY SCREW AIREND 15-30HP    | 13         | 1   | IAT-PF1/2TEE BKPIPE | 1/2" TEE GALV PIPE             | 23         | 1   | IAT-716114          | 1/2" BALL VALVE             |
| 4          | 1   | IAT-03018ET3E286TW22 | 30HP 1800 RPM TEFC             | 14         | 1   | IAT-2404-08-08      | JIC1/2 STRAIGHT FITTING O-RING | 24         | 1   | IAT-SK1-7/8         | 1 7/8" HUB                  |
| 5          | 1   | IAT-3-3V14.00        | 3 GROOVE 3V 14 INCH PULLEY     | 15         | 2   | IAT-RTD-SS-1/2-10   | 1/2" STAINLESS RTD             | 25         | 1   | IAT-SDS35MM         | 35MM HUB                    |
| 6          | 1   | IAT-3-3V4.75         | 3 GROOVE 4.75 INCH PULLEY SDS  | 16         | 1   | IAT-PF1X3/4REDUCER  | 1X3/4 REDUCER BLACK            | 26         | 1   | IAT-PF1/2" BLK PL   | 1/2" BLACK PLUG             |
| 7          | 1   | IAT-037047D454A      | 18/10-10/S1HR/45/PAG/1,875/0,5 | 17         | 1   | IAT-PF3/4"CL        | 3/4" CLOSE NIPPLE BL           | 27         | 1   | IAT-1/8X1X14        | STRAP BELT GUARD FOR SCREWS |
| 8          | 1   | IAT-BG40X6X24-V2     | CA3 BELT GUARD 2PC DESIGN #17  | 18         | 1   | IAT-PF3/4"T BLACK   | 3/4" T GALV                    | 28         | 1   | IAT-1/8X1X14        | STRAP BELT GUARD FOR SCREWS |
| 9          | 1   | IAT-R-14277          | AIR COOLER 25-30 HP            | 19         | 1   | IAT-PF3/4X1/2REDUCE | 3/4X1/2 REDUCER GALV           |            |     |                     |                             |
| 10         | 3   | IAT-2501-08-08       | 1/2 MPT X 1/2 MJIC 90          | 20         | 1   | IAT-3R3VX800        | BELT                           |            |     |                     |                             |

4

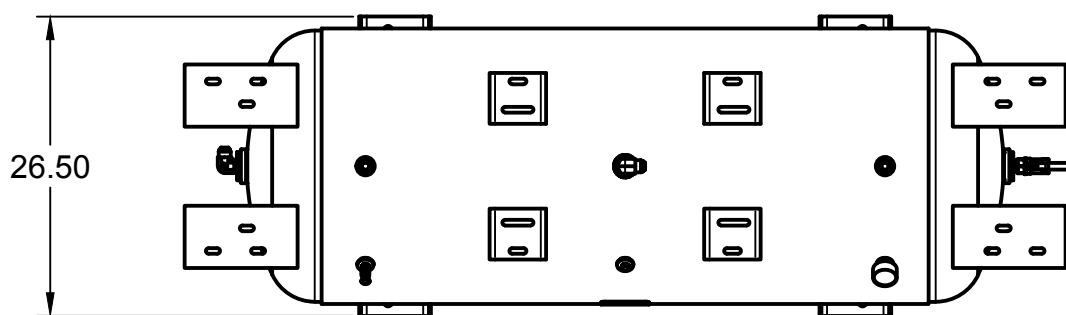
3

2

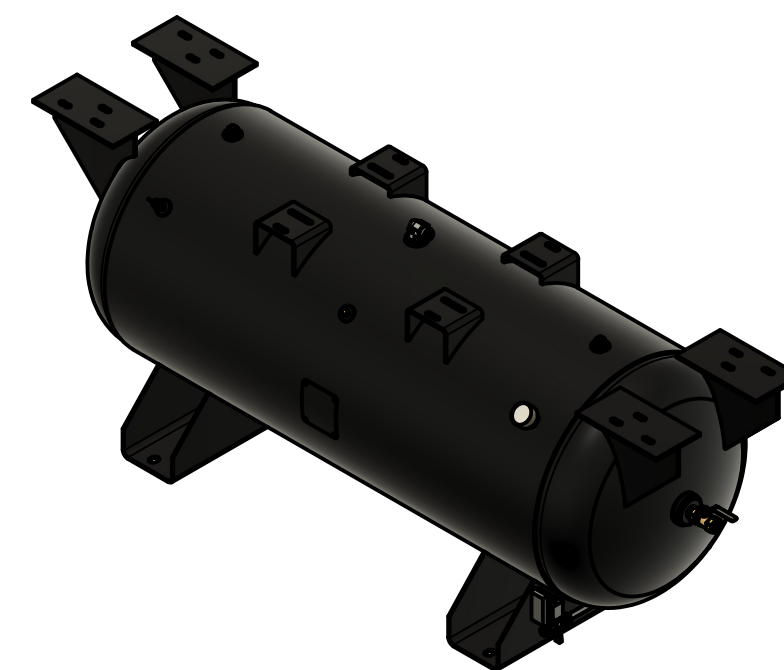
1

D

D

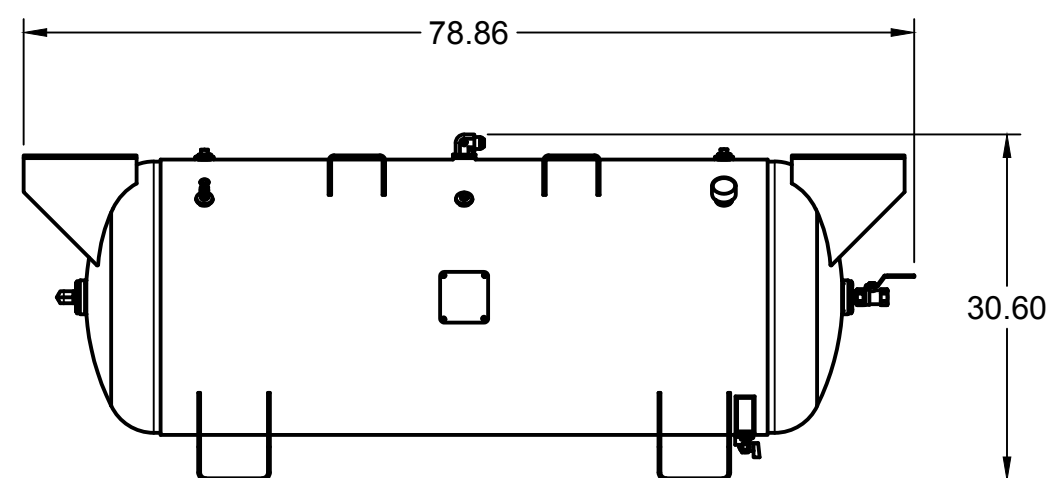


TOP VIEW

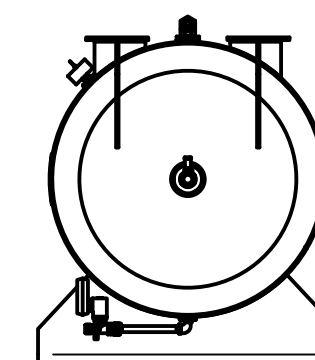


C

C



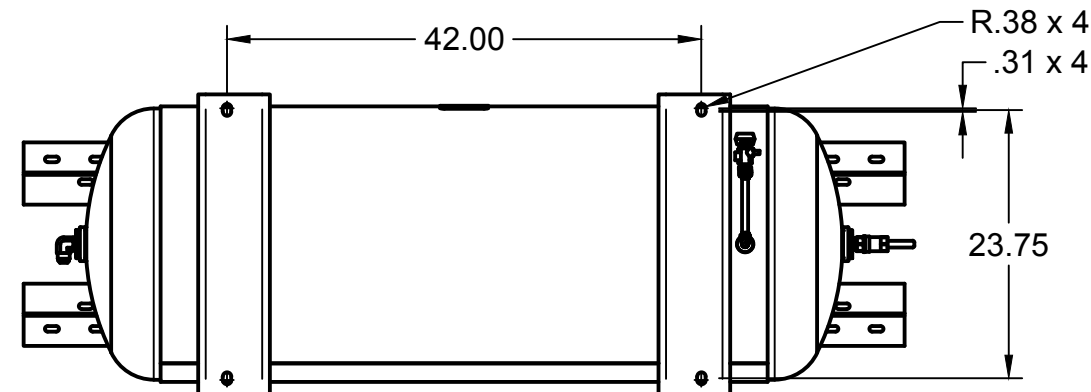
FRONT VIEW



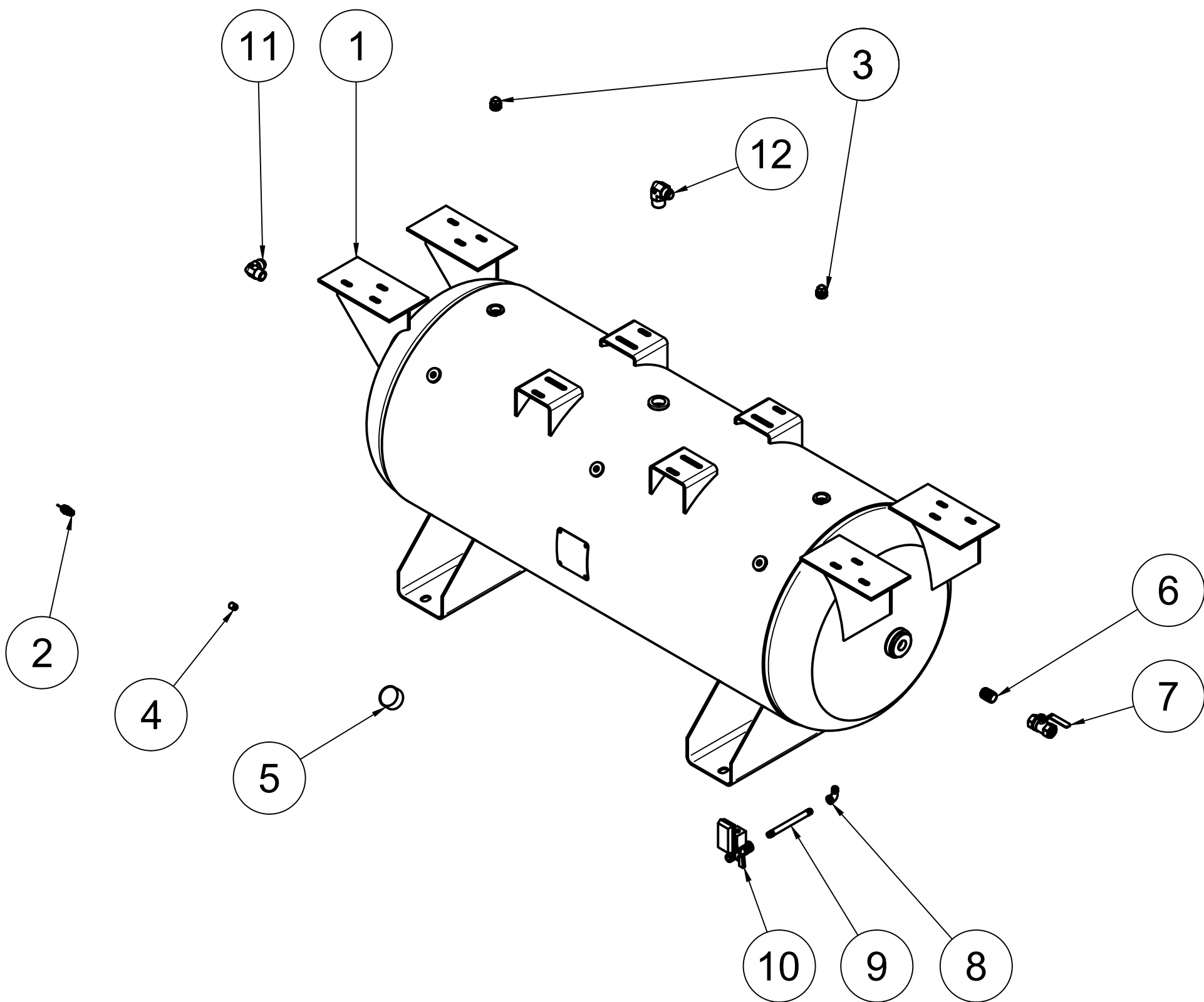
SIDE VIEW

B

B



BOTTOM VIEW



A

A

PARTS LIST

PARTS LIST

| ITEM | QTY | PART NUMBER       | DESCRIPTION            |
|------|-----|-------------------|------------------------|
| 1    | 1   | IAT-120DPBKWR V10 | 120 DUPLEX GALLON TANK |
| 2    | 1   | IAT-ST25-200      | SAFETY VALVE 200 PSI   |
| 3    | 2   | IAT-PF3/4PLUG     | 3/4" PLUG              |
| 4    | 1   | IAT-109-4         | 1/4 BRASS PLUG         |
| 5    | 1   | IAT-PSB20         | AIR GAUGE BACK MT 1/4  |
| 6    | 1   | IAT-PF3/4"CL      | 3/4" CLOSE NIPPLE BL   |

| ITEM | QTY | PART NUMBER         | DESCRIPTION             |
|------|-----|---------------------|-------------------------|
| 7    | 1   | IAT-716116          | BALL VALVE 3/4          |
| 8    | 1   | IAT-PF1/4" STR 90 B | 1/4" STREET 90 GALV     |
| 9    | 1   | IAT-PF1/4X6NIPPLE   | 1/4" X 6 NIPPLE         |
| 10   | 1   | IAT-ET2523          | TIMED AUTO DRAIN        |
| 11   | 1   | IAT-2501-12-12      | 3/4" MPT X 3/4" MJIC 90 |
| 12   | 1   | IAT-2501-12-16      | 3/4" MJIC X 1" MNPT 90  |

4

3

2

1