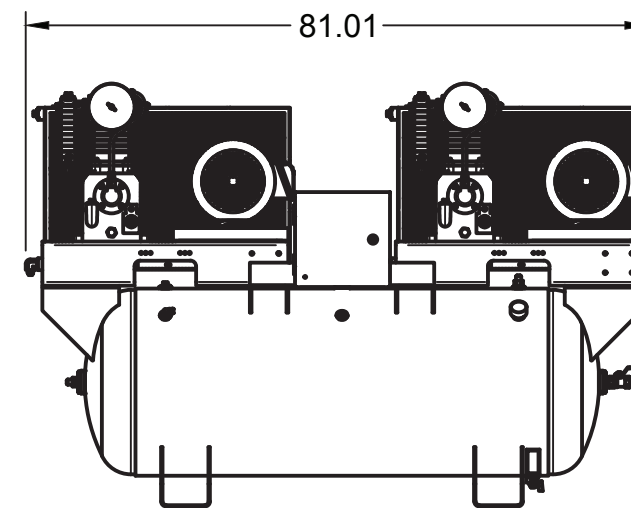
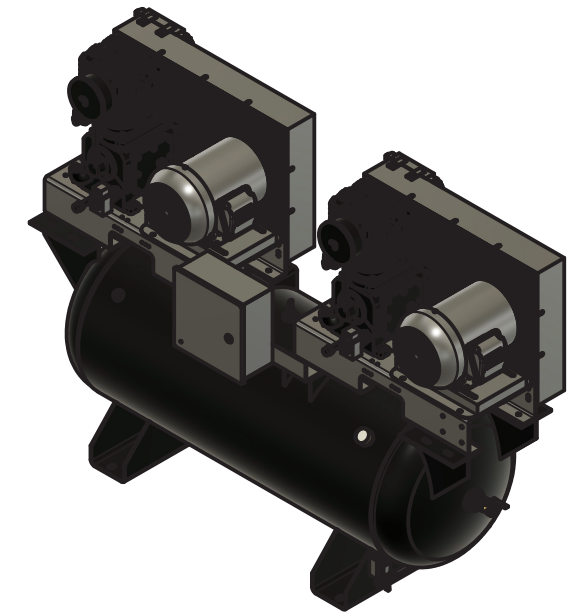
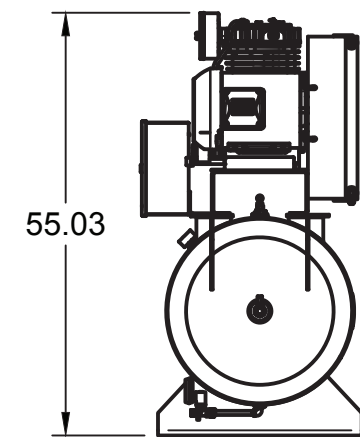


TOP VIEW



FRONT VIEW



SIDE VIEW

PARTS LIST

ITEM	QTY	PART NUMBER	DESCRIPTION
1	1	IAT-T120HE4-DUP	5 HP 3 PHASE DUPLEX
2	1	IAT-DP-PANEL-BRK	PANEL MOUNTING BRACKET
3	2	IAT-B714E	7.5HP 1 PHASE ELITE SKID
4	1	IAT-ALTPNL3-15HP-230	ALT CONTROL PANEL 230V

**TANK DISCHARGE
OUTLET SIZE: 3/4"**
**PANEL COMPONENTS
NOT INDICATED**

4

3

2

1

D

D

C

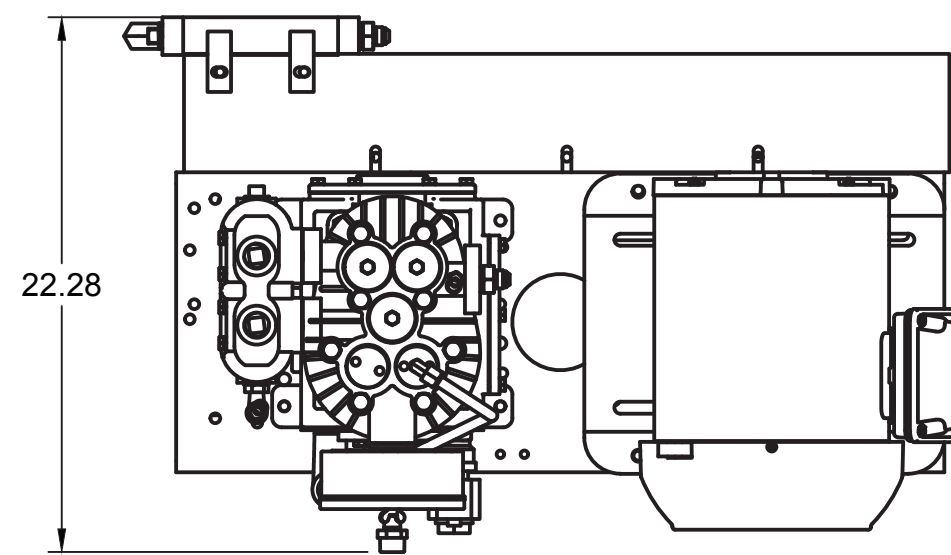
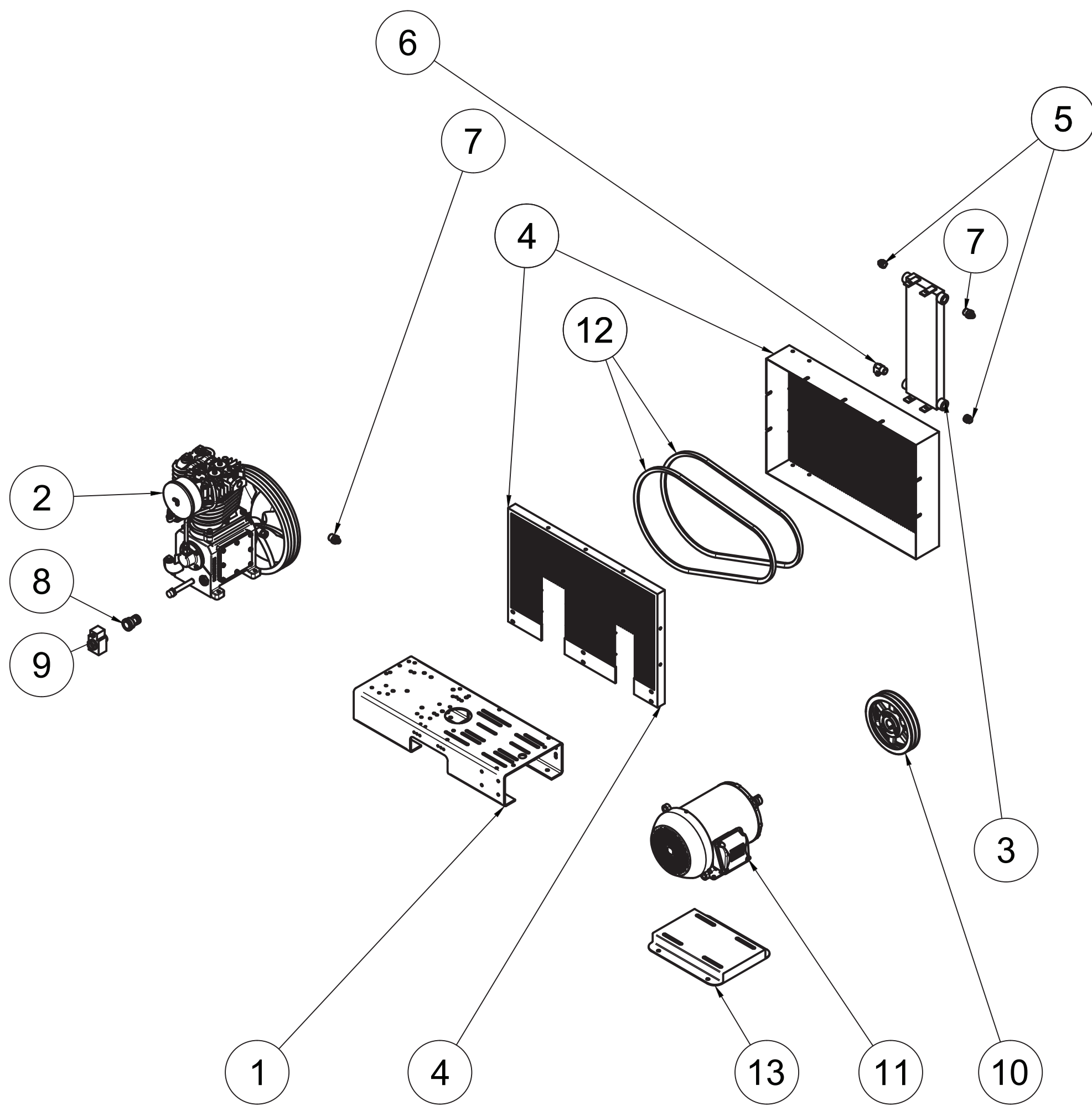
C

B

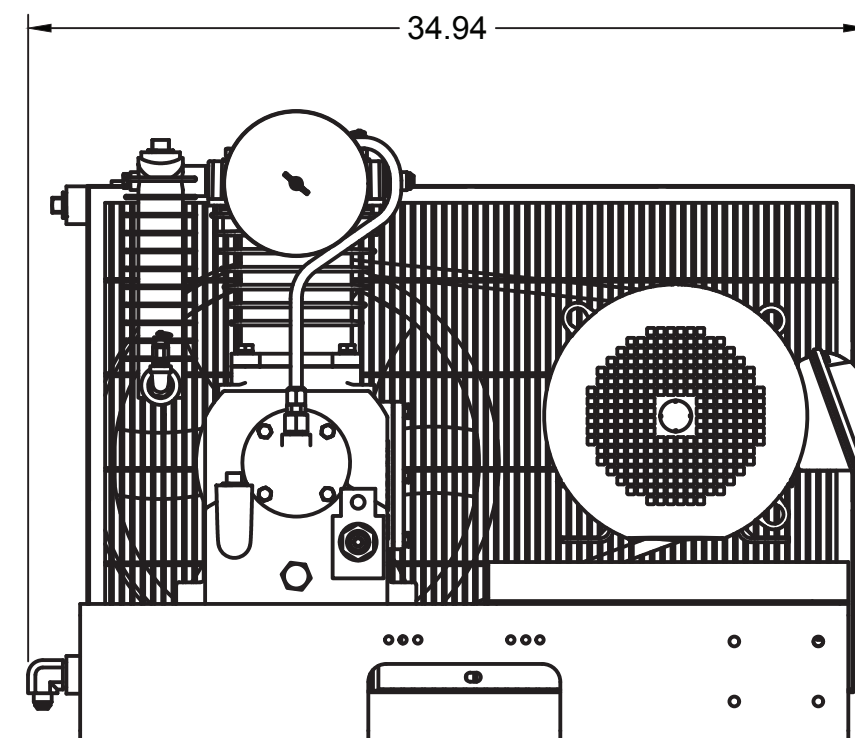
B

A

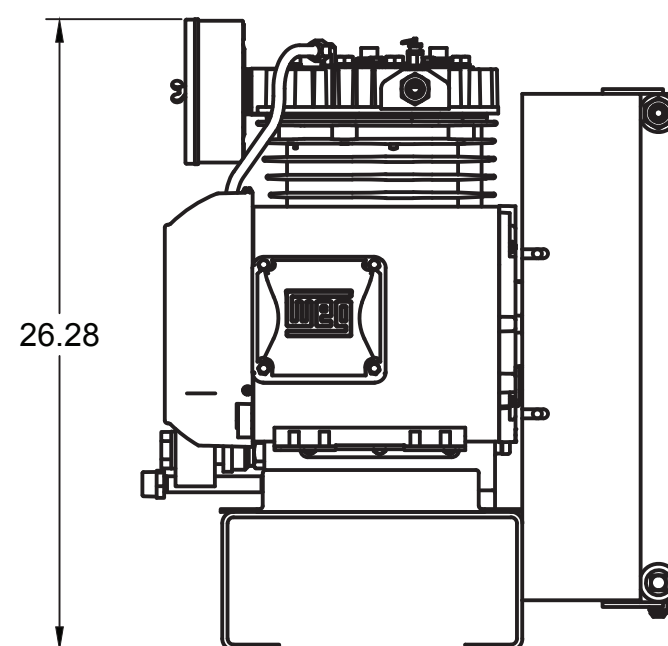
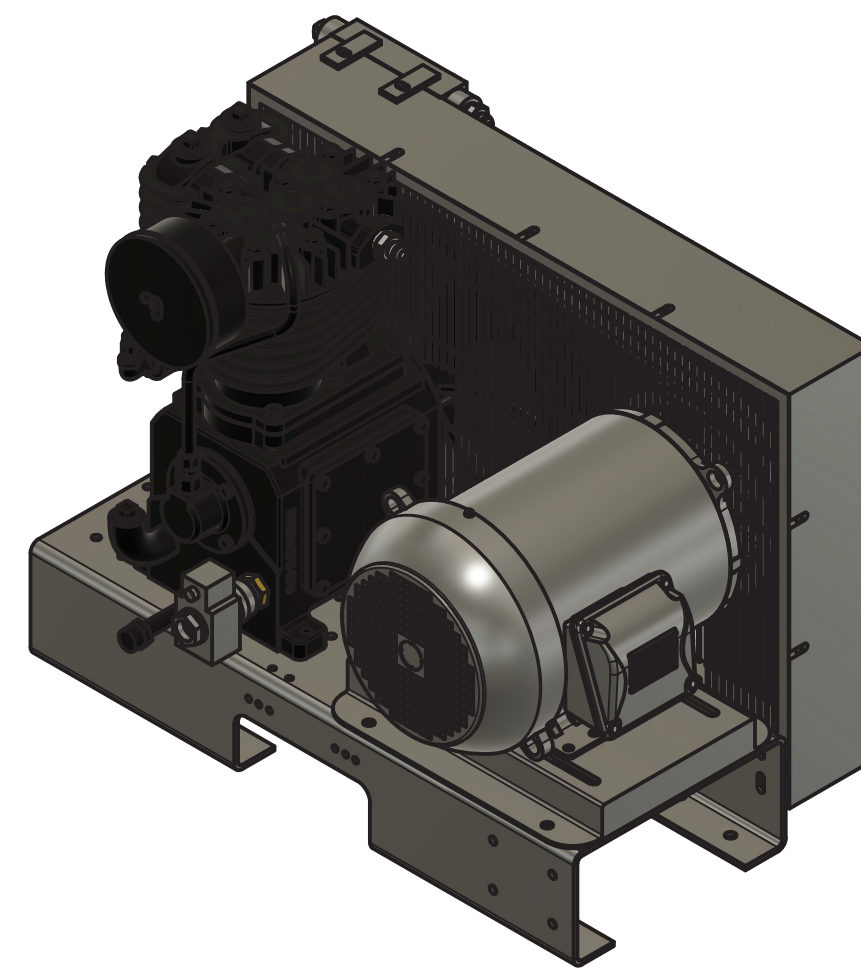
A



TOP VIEW



FRONT VIEW



SIDE VIEW

PARTS LIST

ITEM	QTY	PART NUMBER	DESCRIPTION
1	1	IAT-TP32BKWR (CURRENT)	32IN TOP PLATE
2	1	IAT-CA1-B	5-7.5HP PUMP W CENTRIFUGAL UN
3	1	IAT-M-12-AL	BELT GUARD COOLER 48 CFM
4	1	IAT-BG5X20X32-V2	BELT GUARD 5HP ELEC. NEW 2-03
5	2	IAT-PF3/4PLUG	3/4" PLUG
6	1	IAT-2501-08-12-O	3/4 MP X 1/2 M JIC 90 DEG R IN

PARTS LIST

ITEM	QTY	PART NUMBER	DESCRIPTION
7	2	IAT-2404-08-12-O	3/4MP X 1/2 M JIC STRAIGHT OR
8	1	IAT-CA-3353103	LOW OIL PIPE CONNECTOR
9	1	IAT-3353102-D	LOW OIL MONITOR
10	1	IAT-2BK100-1-3/8	2B 9.75 FIXED BORE 1-3/8
11	1	IAT-EM-7.5-1-17O	7.5HP 1 PHASE 1750 RPM MOTOR
12	2	IAT-B70	B-70" BELT
13	1	IAT-215-D-BE	215 MOTOR BASE W/DOUBLE ADJ

4

3

2

1

4

3

2

1

D

D

C

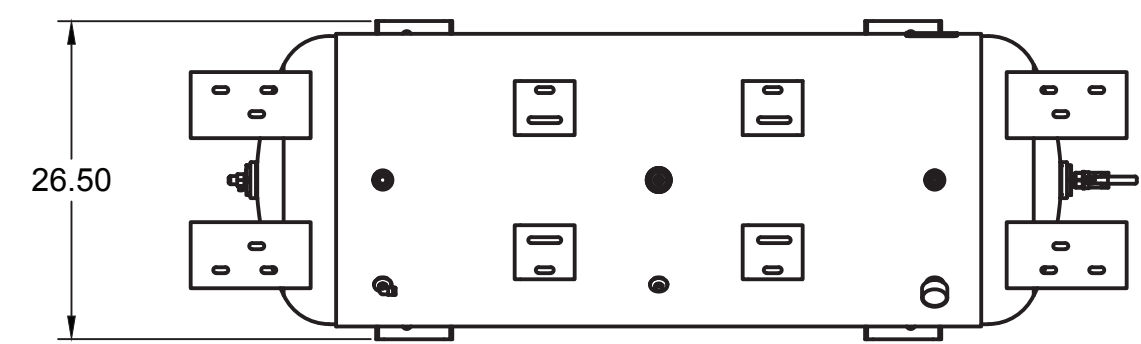
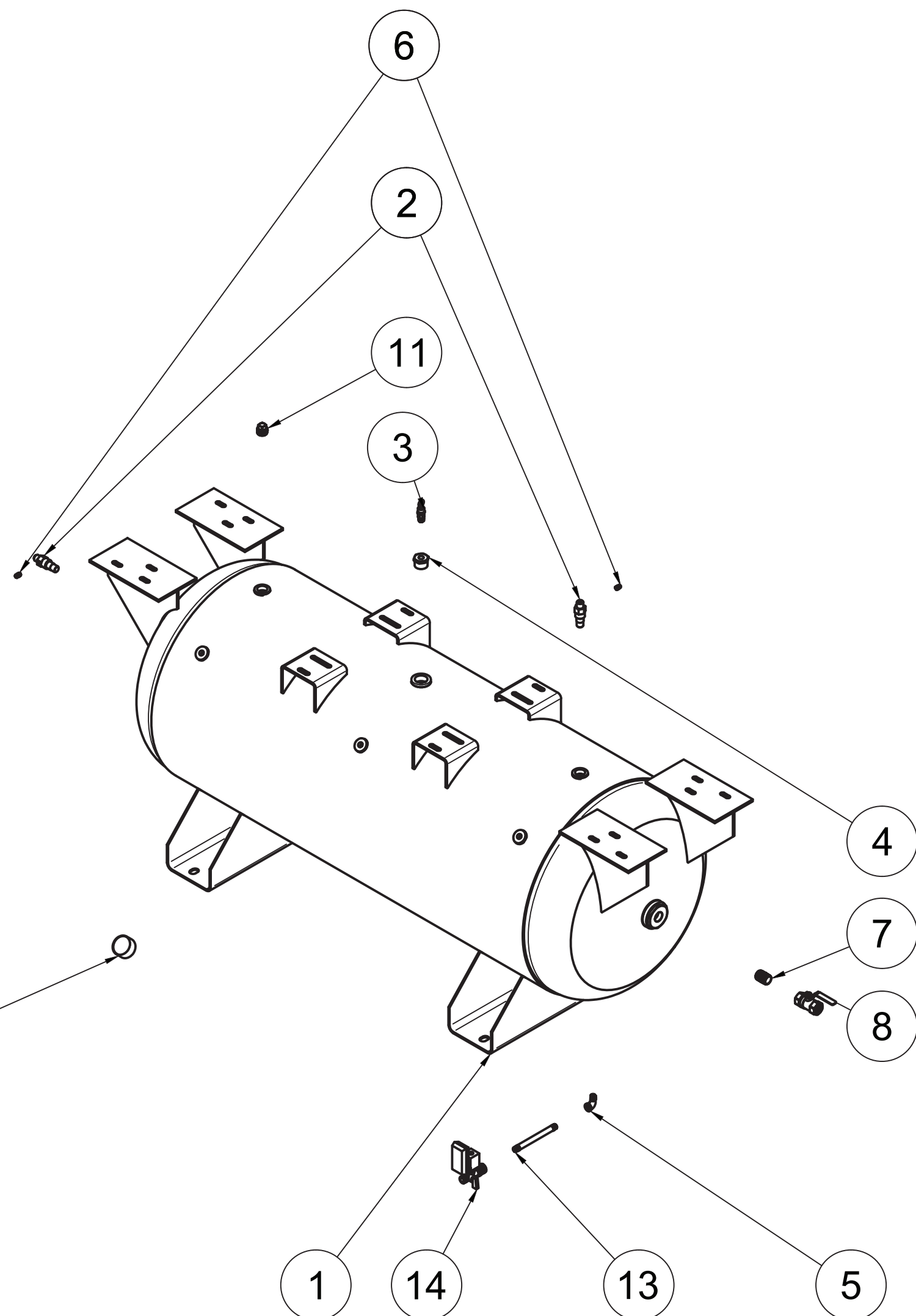
C

B

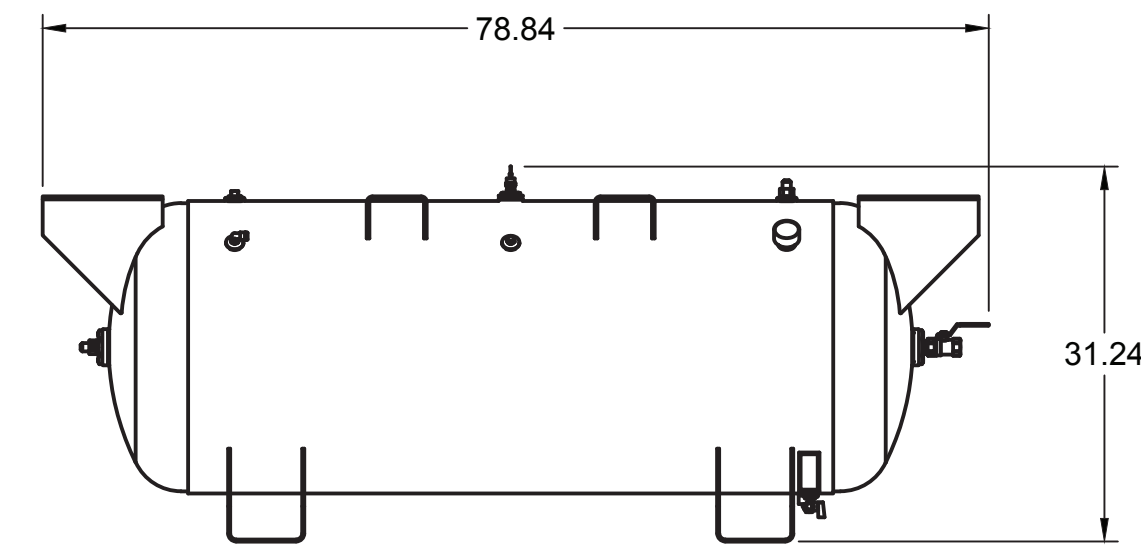
B

A

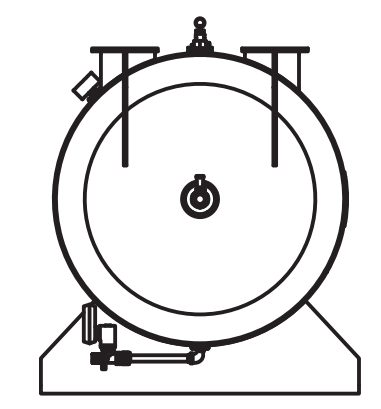
A



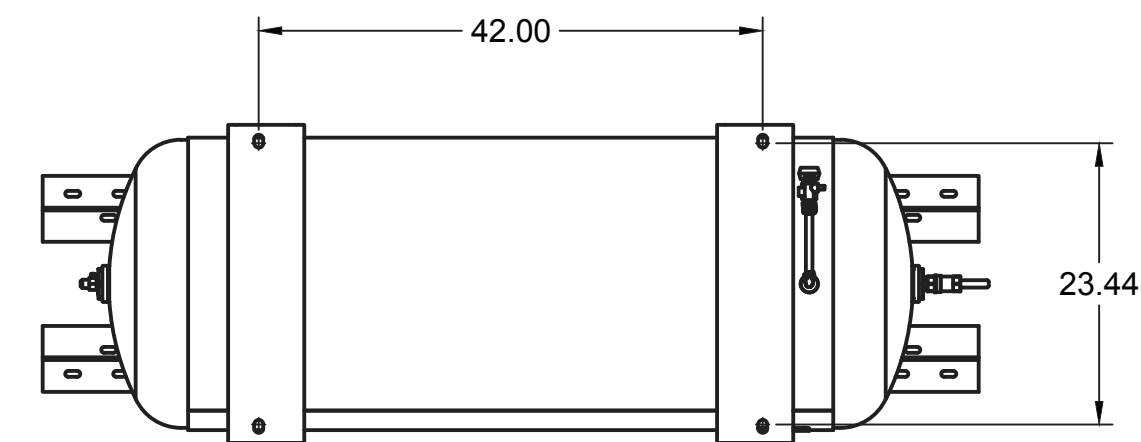
TOP VIEW



FRONT VIEW



SIDE VIEW



BOTTOM VIEW

PARTS LIST				PARTS LIST			
ITEM	QTY	PART NUMBER	DESCRIPTION	ITEM	QTY	PART NUMBER	DESCRIPTION
1	1	IAT-120DPBKWR	120 DUPLEX GALLON TANK	8	1	IAT-716116	BALL VALVE 3/4
2	2	IAT-CTJ1234	JIC CHECK VALVE	9	1	IAT-BPC-2501-06-04	1/4 P X 3/8 COMP PUSH LOK 90
3	1	IAT-ST25-200	SAFETY VALVE 200 PSI	10	1	IAT-109-4	1/4 BRASS PLUG
4	1	IAT-1X1/4REDUCER	1X1/4 REDUCER	11	1	IAT-PF3/4PLUG	3/4" PLUG
5	1	IAT-PF1/4" STR 90 B	1/4" STREET 90 GALV	12	1	IAT-PSB20	AIR GAUGE BACK MT 1/4
6	2	IAT-109-2	1/8 BRASS PLUG	13	1	IAT-PF1/4X6NIPPLE	1/4" X 6 NIPPLE
7	1	IAT-PF3/4"CL	3/4" CLOSE NIPPLE BL	14	1	IAT-ET2523	TIMED AUTO DRAIN

4

3

2

1