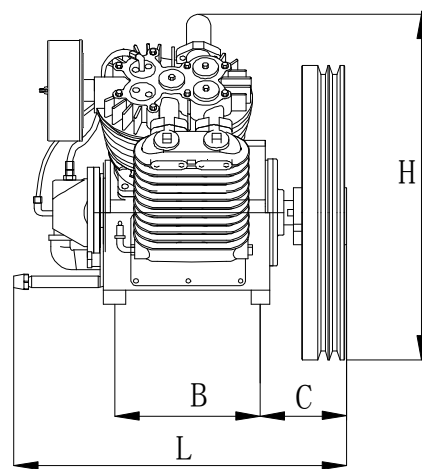
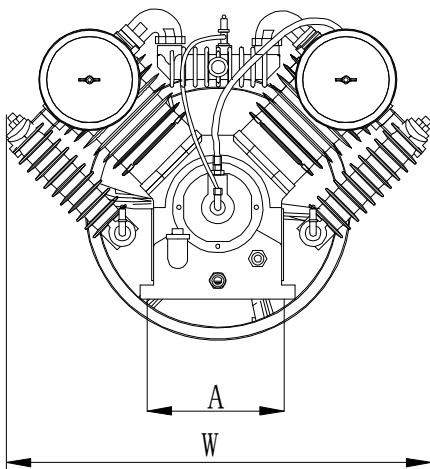


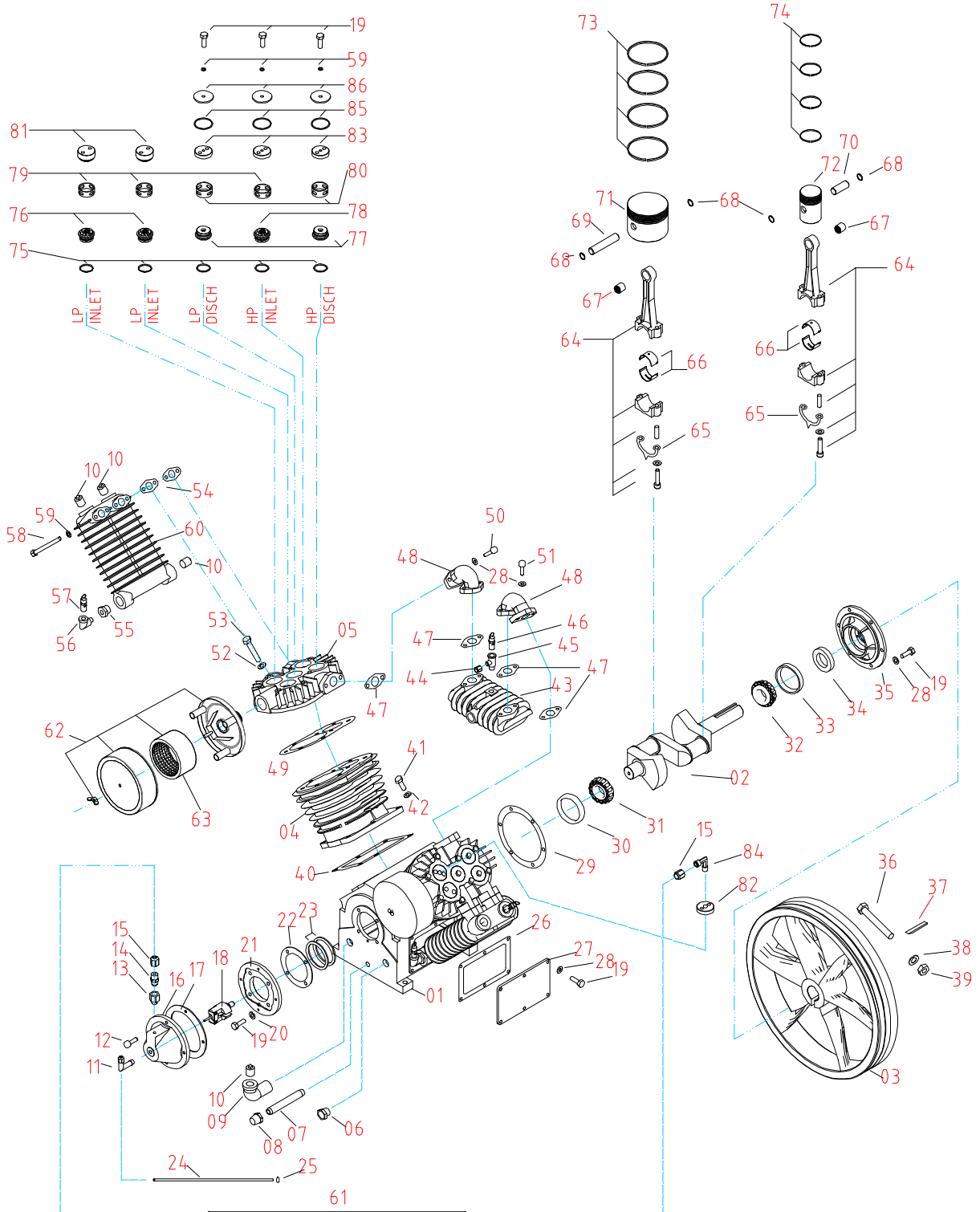
CA2 Technical Data				
Motor	HP	7.5	10	15
	KW	5.5	7.5	11
Air Delivered	ACFM	28	35	48
	m ³ /min	0.8	1.0	1.35
Pressure	PSI	175		
	Bar	12.25		
RPM	730			
Cylinders	4			
LP Bore	inch	4.134		
	mm	105		
HP Bore	inch	2.165		
	mm	55		
Stroke	inch	3.504		
	mm	89		
Flywheel Dia.	inch	18.98		
	mm	482		
Groove Type	B			

Dimensions		
A	inch	9.63
	mm	244.5
B	inch	9.13
	mm	231.8
C	inch	5
	mm	127.2
L	inch	21.06
	mm	535
W	inch	28.74
	mm	730
H	inch	22.44
	mm	570
Weight	lb	250.36
	kg	113.5
QTY/20' GP Container	PCS	84
QTY/40' GP Container	PCS	168



MODEL CA2 TWO STAGE AIR COMPRESSOR PUMP

800-531-9656
www.IndustrialGold.com



MODEL CA2 TWO STAGE AIR COMPRESSOR PUMP

800-531-9656
www.IndustrialGold.com



CA2 PARTS

ITEM	PARTS#	DESCRIPTION	QTY
1	708001	CRANKCASE CA2	1
2	3809-RD	CRANKSHAFT CA2	1
3	713000	FLYWHEEL CA2	1
4	711000	CYLINDER CA1	2
5.1	710000	HEAD CA1	1
5.2	710001	RIGHT HEAD CA2	1
6	731005	OIL SIGHT GLASS CA1	1
7	10205	OIL DRAIN PIPE CA1	1
8	37001	OIL DRAIN PIPE CAP CA1	1
9	4127-A	OIL FILL ELBOW CA1	1
10	160004	PLUG CA1	7
11	070400	ELBOW-VALVE & UNLOADER CA1	1
12	110109	CAPSREW-SKT HD M6X20	4
13	S-527-1	BREATHER BODY CA1	1
14	12950	COPPER CONNECTOR CA1	1
15	621	COPPER NUT CA1	2
16	728004	COVER-CENTRIFUGAL UNLOADER CA1	1
17	070116	CASKET-UNLOADER COVER CA1	1(*a)
18	728005	CENTRIFUGAL UNLOADER CA1	1
19	110117	CAPSCREW-HEX M8X25	28
20	130058	LOCKWASHER Φ 8	4
21	701001	CAP-REAR CA1	1
22	070172	CASKET-REAR CAP CA1	1(*a)
23.1	090094	SHIM-0.20 BRG ADJUSTMENT CA1	1
23.2	090093	SHIM-0.10 BRG ADJUSTMENT CA1	2
24	150018	ASSEMBLY-FAU TUBE Φ 6X450	1
25	31796	COPPER SEAL RING	1
26	070165	GASKET-SIDE COVER CA2	2(*a)
27	020147	COVER- CRANKCASE SIDE CA2	2
28	070201	COPPER GASKET Φ 8	26
29	070163	CASKET-FRONT CAP CA2	1(*a)
30	050159-1	BEARING CAP-REAR CA1	1
31	050159	BEARING CONE-REAR CA1	1
32	050158	BEARING CONE-FRONT CA1	1
33	050158-1	BEARING CAP-FRONT CA1	1

MODEL CA2 TWO STAGE AIR COMPRESSOR PUMP

800-531-9656
www.IndustrialGold.com



CA2 PARTS

ITEM	PARTS#	DESCRIPTION	QTY
34	060068	SEAL-SHAFT CA1	1
35	701000	CAP-FRONT CA1	1
36	110108	CAPSCREW-HEX M16X120	1
37	080029	KEY-FLYWHEEL CA1	1
38	130057	LOCKWASHER Φ 16	1
39	120060	NUT-HEX M16	1
40	070162	GASKET-CYLINDER TO CRANKCASE CA1	2(*a)
41	110107	CAPSCREW-HEX M10X30	12
42	070203	COPPER GASKET Φ 10	12
43	706003	AFTERCOOLER CA2	1
44	31797	COPPER NUT CA1	1
45	16003-A	TEE-MALE TUBE	1
46	48633	VALVE-SAFETY 250PSI	1
47	070167	GASKET-AFTERCOOLER CA1	4(*a)
48	706001	ELBOW-AFTERCOOLER CA2	2
49	070161	GASKET-CYINDER HEAD CA1	2(*a)
50	109999	CAPSREW-SKT HD M8X30	4
51	110106	CAPSREW-SKT HD M8X25	4
52	9286	LOCKWASHER Φ 12	16
53	110111	CAPSCREW-HEX M12X70	16
54	071069	GASKET-INTERCOOLER CA1	4(*a)
55	160002	BUSHING- REDUCING CA1	2
56	160003	ELBOW-STREET CA1	2
57	722006	VALVE-SAFETY 75PSI	2
58	110105	CAPSCREW-HEX M8X90	8
59	070204	COPPER GASKET B Φ 8	14
60	706000	INTERCOOLER CA1	2
61	150017	ALUMINUM TUBE Φ 10X380	1
62	712140	FILTER-INLET ASSEMBLY CA1	2
63	712114	FILTER-REPLACEMENT ELEMENT CA1	2
64	705001	CONNECTING ROD CA1	4
65	705003	DIPPER-OIL CA1	4
66	050122	INSERT HALF CA1	8
67	050166	BEARING-LP WRISTPIN NEEDLE CA1	4
68	200100	SNAP RING-INTERNAL CA1	8

MODEL CA2 TWO STAGE AIR COMPRESSOR PUMP

800-531-9656
www.IndustrialGold.com



CA2 PARTS			
ITEM	PARTS#	DESCRIPTION	QTY
69	729000	WRIST PIN-LP PISTON CA1	2
70	729006	WRISTPIN-HP PISTON CA1	2
71	720000	PISTON-LP CA1	2
72	720002	PISTON-HP CA1	2
73	719064	PISTON RING SET-LP CA1	2
74	719088	PISTON RING SET-HP CA1	2
75	070202	COPPER GASKET-VALVE SEAT CA1	10(*a)
76	727000	VALVE ASSEMBLY-LP INLET CA1	4
77	727002	VALVE ASSEMBLY-HP/LP DISCH CA1	4
78	727001	VALVE ASSEMBLY-HP INLET CA1	2
79	727003	SPACER-INLET VALVE CA1	4
80	727004	SPACER-DISCHARGE VALVE CA1	6
81	727136	RETAINER-INLET VALVE CA1	3
82	727134	RETAINER-INLET VALVE CA1	1
83	727135	RETAINER-DISCHARGE VALVE CA1	6
84	690	COPPER ELBOW CA1	1
85	070170	GASKET-VALVE COVER CA1	6(*a)
86	727136-2	COVER-VALVE CA1	6
*a	070246	GASKET SET CA2	1

MODEL CA2 TWO STAGE AIR COMPRESSOR PUMP

800-531-9656
www.IndustrialGold.com