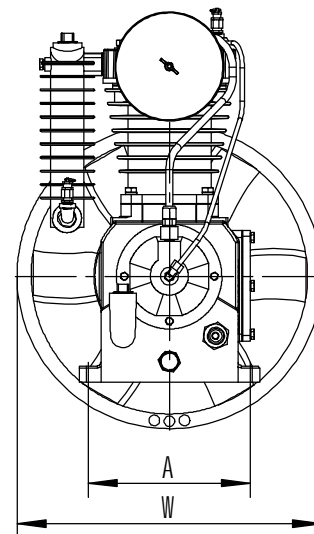
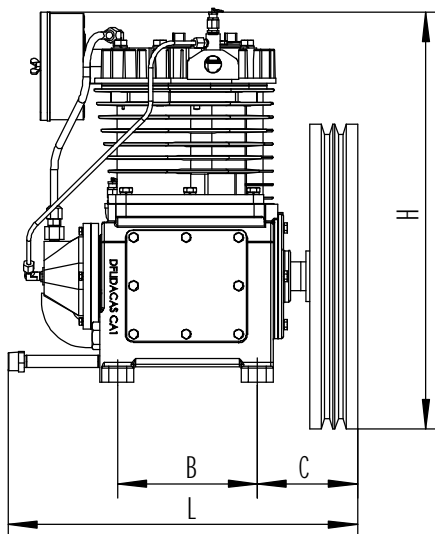


Dimensions		
A	inch	9
	mm	228.6
B	inch	7.75
	mm	196.85
C	inch	5.4
	mm	137.2
L	inch	19.6
	mm	497
W	inch	16.9
	mm	429
H	inch	23
	mm	585
Weight	lb	180.3
	kg	81.8

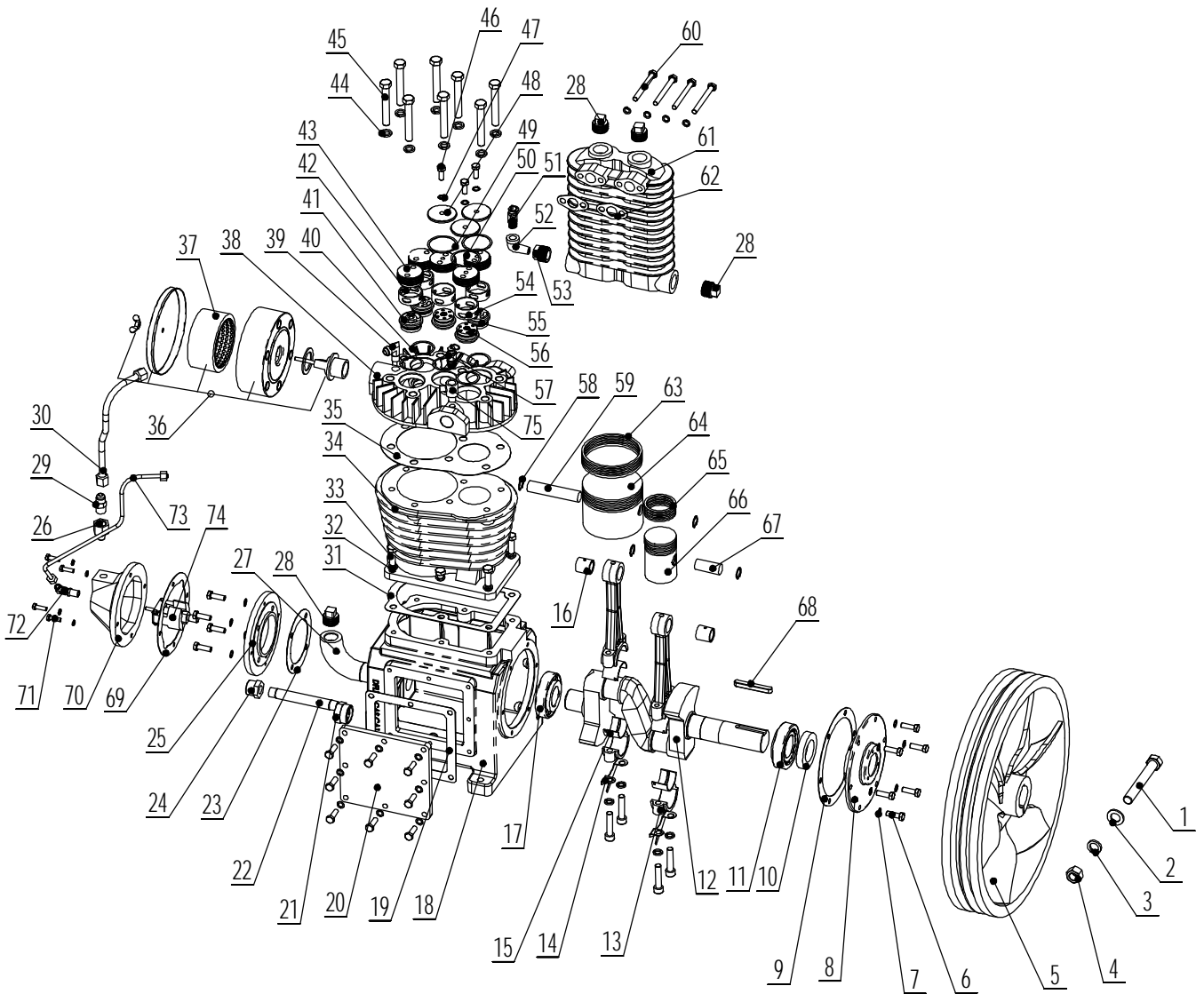
CA1B Technical Data		
Motor	HP	5/7.5
	KW	3.5/5.5
Air Delivery	ACFM	18/24
	m ³ /min	0.51/0.68
Pressure	PSI	175
	Bar	12.25
RPM	790/910	
Cylinders	2	
Bore	inch	4.13/2.16
	mm	105/55
Stroke	inch	3.5
	mm	89
Flywheel dia.	inch	16.9
	mm	429
Groove Type	B	



MODEL CA1B TWO STAGE AIR COMPRESSOR PUMP

800-531-9656

www.IndustrialGold.com



MODEL CA1B TWO STAGE AIR COMPRESSOR PUMP

800-531-9656
www.IndustrialGold.com



PARTS LIST			
ITEM	PARTS#	DESCRIPTION	QTY
1	M16X120W	CAPSCREW-HEX M16X120	1
2	M16P	PLAIN WASHER 16	1
3	M16T	LOCKWASHER Φ 16	1
4	M16L	NUT-HEX M16	1
5	713001	FLYWHEEL CA1	1
6	M8X25W	CAPSCREW-HEX M8X25	21
7	070201	COPPER GASKET Φ 8	18
8	701000	CAP-FRONT CA1	1
9	070163	CASKET-FRONT CAP CA1	1(*a)
10	060068	SEAL-SHAFT CA1	1
11	050158	BEARING CONE-FRONT CA1 32208	1
12	709000	CRANKSHAFT CA1	1
13	705001	CONNECTING ROD CA1	2
14	705003	DIPPER-OIL CA1	2
15	050122	INSERT HALF CA1	2
16	050166	BEARING WRISTPIN NEEDLE CA1	2
17	050159	BEARING CONE-REAR CA1 30307	1
18	708000	CRANKCASE CA1	1
19	070164	GASKET-SIDE COVER CA1	1(*a)
20	4053	COVER- CRANKCASE SIDE CA1	1
21	731005	OIL SIGHT GLASS CA1	1
22	10205	OIL DRAIN PIPE CA1	1
23	070172	CASKET-REAR CAP CA1	1
24	37001	OIL DRAIN PIPE CAP CA1	1
25	701001	CAP-REAR CA1	1
26	S-527-1	BREATHER BODY CA1	1
27	4127-A	OIL FILL ELBOW CA1	1
28	160004	PLUG CA1	1
29	12950	COPPER CONNECTOR CA1	1
30	150017	ALUMINUM TUBE Φ 10X380	1
31	070162	GASKET-CYLINDER TO CRANKCASE CA1	1(*a)
32	070203	COPPER GASKET Φ 10	6
33	M10X30W	CAPSCREW-HEX M10X30	6
34	711000	CYLINDER CA1	1

MODEL CA1B TWO STAGE AIR COMPRESSOR PUMP
 800-531-9656
www.IndustrialGold.com



PARTS LIST			
ITEM	PARTS#	DESCRIPTION	QTY
35	070161	GASKET-CYLINDER HEAD CA1	1(*a)
36	712140	FILTER-INLET ASSEMBLY CA1	1
37	712114	FILTER-REPLACEMENT ELEMENT CA1	1
38	710000ABC	HEAD CA1B	1
39	690	COPPER ELBOW CA1	1
40	070202	COPPER GASKET-VALVE SEAT CA1	1
41	727000	VALVE ASSEMBLY-LP INLET CA1	2
42	727003	SPACER-INLET VALVE CA1	3
43	727134	RETAINER-INLET VALVE CA1	2
44	M12T	LOCKWASHER Φ 12	8
45	M12X70W	CAPSCREW-HEX M12X70	8
46	M8X25W	CAPSCREW-HEX M8X25	21
47	070204	COPPER GASKET B Φ 8	7
48	727136	COVER-VALVE CA1	3
49	070170	GASKET-VALVE COVER CA1	3(*a)
50	727135	RETAINER-DISCHARGE VALVE CA1	3
51	ST25-75	VALVE-SAFETY 75PSI ASME	1
52	160003	ELBOW-STREET CA1	1
53	160002	BUSHING- REDUCING CA1	1
54	727004	SPACER-DISCHARGE VALVE CA1	2
55	727001	VALVE ASSEMBLY-HP INLET CA1	1
56	727002	VALVE ASSEMBLY-HP/LP DISCH CA1	2
57	ST25-250	VALVE-SAFETY 250PSI ASME	1
58	200100	SNAP RING-INTERNAL CA1	4
59	729000	WRIST PIN-LP PISTON CA1	1
60	110105	CAPSCREW-HEX M8X90	4
61	706000	INTERCOOLER CA1	1
62	071069	GASKET-INTERCOOLER CA1	2(*a)
63	719064	PISTON RING SET-LP CA1	1
64	720000	PISTON-LP CA1	1
65	719088	PISTON RING SET-HP CA1	1
66	720002	PISTON-HP CA1	1
67	729006	WRISTPIN-HP PISTON CA1	1
68	080029	KEY-FLYWHEEL CA1	1
69	070116	CASKET-UNLOADER COVER CA1	1(*a)

MODEL CA1B TWO STAGE AIR COMPRESSOR PUMP

800-531-9656
www.IndustrialGold.com

