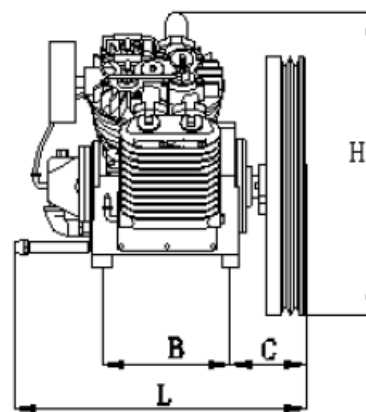
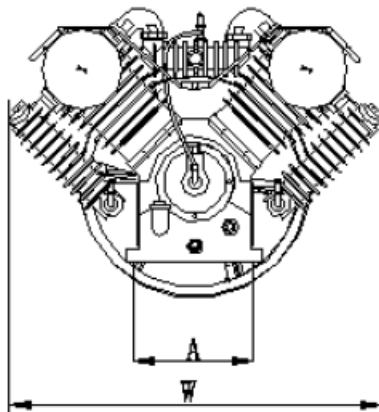


CA2U Technical Data		
Motor	HP	10
	KW	7.5
Air Delivered	ACFM	35
	m ³ /min	0.8
Pressure	PSI	180
	Bar	12.5
RPM	840	
Cylinders	4	
LP Bore	inch	4.134
	mm	105
HP Bore	inch	2.165
	mm	55
Stroke	inch	3.504
	mm	89
Flywheel Dia.	inch	18.98
	mm	482
Groove Type	B	

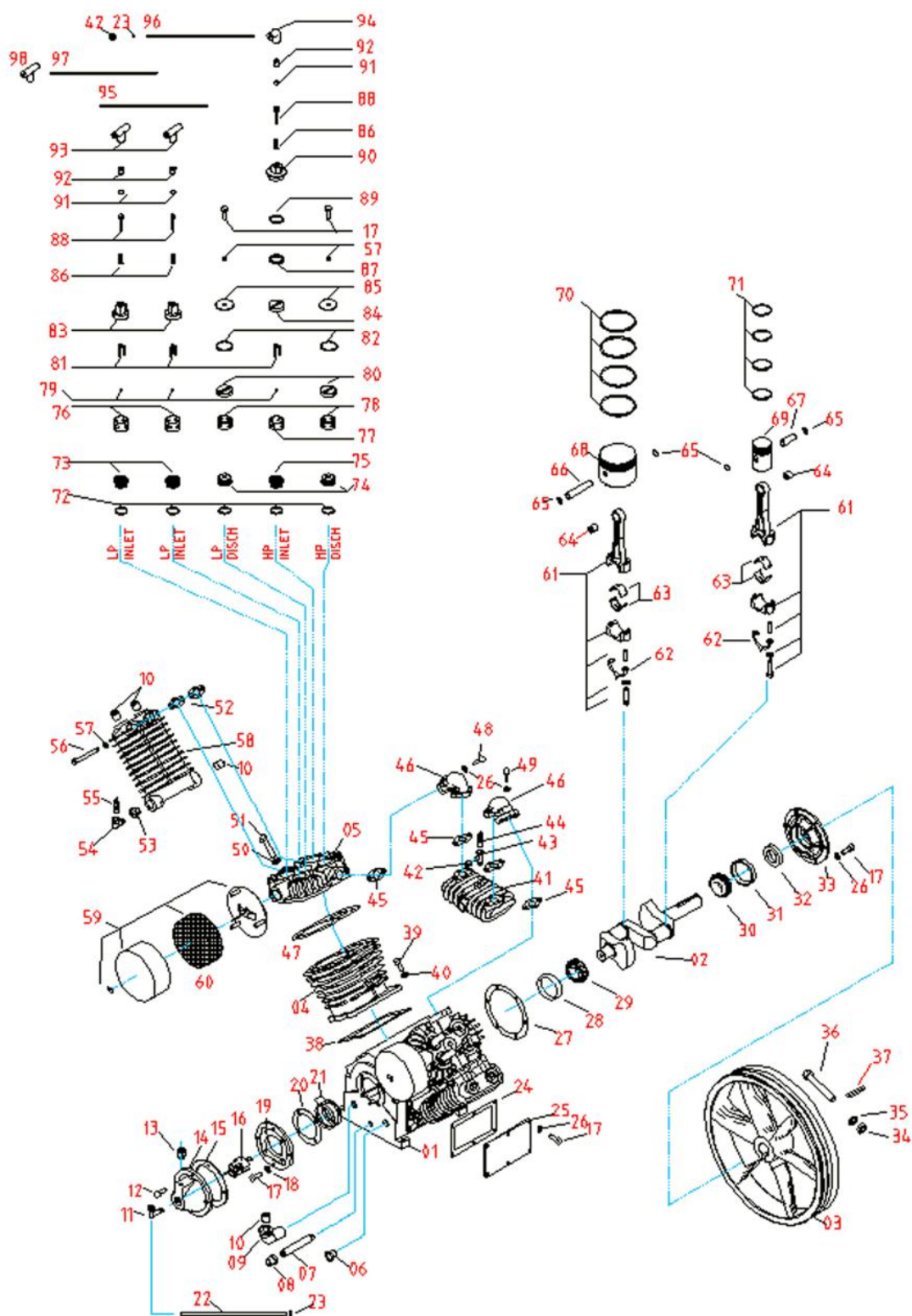
Dimensions		
A	inch	9.63
	mm	244.5
B	inch	9.13
	mm	231.8
C	inch	5
	mm	127.2
L	inch	21.06
	mm	535
W	inch	28.74
	mm	730
H	inch	22.44
	mm	570
Weight	lb	245.59
	kg	111.4
QTY/20' GP Container	PCS	84
QTY/40' GP Container	PCS	168



MODEL CA2U TWO STAGE AIR COMPRESSOR PUMP

800-531-9656

www.IndustrialGold.com



MODEL CA2U TWO STAGE AIR COMPRESSOR PUMP

800-531-9656

www.IndustrialGold.com



CA2U PARTS

ITEM	PARTS#	DESCRIPTION	QTY
1	708001	CRANKCASE CA2	1
2	3809-RD	CRANKSHAFT CA2	1
3	713000	FLYWHEEL CA2	1
4	711000	CYLINDER CA1	2
5.1	710000	HEAD CA1	1
5.2	710001	RIGHT HEAD CA2	1
6	731005	OIL SIGHT GLASS CA1	1
7	10205	OIL DRAIN PIPE CA1	1
8	37001	OIL DRAIN PIPE CAP CA1	1
9	4127-A	OIL FILL ELBOW CA1	1
10	160004	PLUG CA1	7
11	070400	CENTRIFUGAL UNLOADER ELBOW	1
12	110109	CAPSREW-SKT HD M6X20	4
13	703007	BREATHER-CRANKCASE	1
14	728004	COVER-CENTRIFUGAL UNLOADER CA1	1
15	070116	CASKET-UNLOADER COVER CA1	1(*a)
16	728005	CENTRIFUGAL UNLOADER CA1	1
17	110117	CAPSCREW-HEX M8X25	26
18	130058	LOCKWASHER Φ 8	4
19	701001	CAP-REAR CA1	1
20	070172	CASKET-REAR CAP CA1	1(*a)
21.1	090094	SHIM-0.20 BRG ADJUSTMENT CA1	1
21.2	090093	SHIM-0.10 BRG ADJUSTMENT CA1	2
22	150018	ASSEMBLY-FAU TUBE Φ 6X450	1
23	31796	COPPER SEAL RING	14
24	070165	GASKET-SIDE COVER CA2	2(*a)
25	020147	COVER- CRANKCASE SIDE CA2	2
26	070201	COPPER GASKET Φ 8	26
27	070163	CASKET-FRONT CAP CA2	1(*a)
28	050159-1	BEARING CAP-REAR CA1	1
29	050159	BEARING CONE-REAR CA1	1
30	050158	BEARING CONE-FRONT CA1	1
31	050158-1	BEARING CAP-FRONT CA1	1
32	060068	SEAL-SHAFT CA1	1
33	701000	CAP-FRONT CA1	1

MODEL CA2U TWO STAGE AIR COMPRESSOR PUMP

800-531-9656

www.IndustrialGold.com



CA2U PARTS

ITEM	PARTS#	DESCRIPTION	QTY
34	120060	NUT-HEX M16	1
35	130057	LOCKWASHER Φ 16	1
36	110108	CAPSCREW-HEX M16X120	1
37	080029	KEY-FLYWHEEL CA1	1
38	070162	GASKET-CYLINDER TO CRANKCASE CA1	2(*a)
39	110107	CAPSCREW-HEX M10X30	12
40	070203	COPPER GASKET Φ 10	12
41	706003	AFTERCOOLER CA2	1
42	31797	COPPER NUT CA1	14
43	16003-A	TEE-MALE TUBE	1
44	48633	VALVE-SAFETY 250PSI	1
45	070167	GASKET-AFTERCOOLER CA1	4(*a)
46	706001	ELBOW-AFTERCOOLER CA2	2
47	070161	GASKET-CYLINDER HEAD CA1	2(*a)
48	109999	CAPSCREW-SKT HD M8X30	4
49	110106	CAPSCREW-SKT HD M8X25	4
50	9286	LOCKWASHER Φ 12	16
51	110111	CAPSCREW-HEX M12X70	16
52	071069	GASKET-INTERCOOLER CA1	4(*a)
53	160002	BUSHING- REDUCING CA1	2
54	160003	ELBOW-STREET CA1	2
55	722006	VALVE-SAFETY 75PSI	2
56	110105	CAPSCREW-HEX M8X90	8
57	070204	COPPER GASKET B Φ 8	14
58	706000	INTERCOOLER CA1	2
59	712140	FILTER-INLET ASSEMBLY CA1	2
60	712114	FILTER-REPLACEMENT ELEMENT CA1	2
61	705001	CONNECTING ROD CA1	4
62	705003	DIPPER-OIL CA1	4
63	050122	INSERT HALF CA1	8
64	050166	BEARING-LP WRISTPIN NEEDLE CA1	4
65	200100	SNAP RING-INTERNAL CA1	8
66	729000	WRIST PIN-LP PISTON CA1	2
67	729006	WRISTPIN-HP PISTON CA1	2
68	720000	PISTON-LP CA1	2

MODEL CA2U TWO STAGE AIR COMPRESSOR PUMP

800-531-9656

www.IndustrialGold.com



CA2U PARTS

ITEM	PARTS#	DESCRIPTION	QTY
69	720002	PISTON-HP CA1	2
70	719064	PISTON RING SET-LP CA1	2
71	719088	PISTON RING SET-HP CA1	2
72	070202	COPPER GASKET-VALVE SEAT CA1	10
73	727000	VALVE ASSEMBLY-LP INLET CA1	4
74	727002	VALVE ASSEMBLY-HP/LP DISCH CA1	4
75	727001	VALVE ASSEMBLY-HP INLET CA1	2
76	724024	SPACER-DISCHARGE VALVE CA1	4
77	724024-1	SPACER-DISCHARGE VALVE CA1	2
78	727004	SPACER-DISCHARGE VALVE CA1	4
79	120059	LOCKNUT M6	12
80	727135	RETAINER-DISCHARGE VALVE CA1	4
81	724023	PLUNGER-FAU	6
82	070170	GASKET-VALVE COVER CA1	4(*a)
83	724021	COVER-LP FAU INLET VALVE	4
84	727135-1	RETAINER-INLET VALVE CA1	2
85	727136	COVER-VALVE CA1	4
86	723020	SPRING-FAU PISTON	6
87	724025	RETAINER-HP FAU INLET VALVE	2
88	724022	PISTON-FAU	6
89	070249	GASKET-VALVE COVER CA1	4
90	724026	COVER-HP FAU INLET VALVE	2
91	60184	O-RING-FAU PISTON	6
92	18153	BUSHING	6
93	42384	TEE-MALE TUBE	4
94	15362	ELBOW-MALE TUBE	2
95	150014	FAU TUBE Φ 6X130	2
96	47966	FAU TUBE Φ 6X230	2
97	48538	FAU TUBE Φ 6X310	2
98	45425	TEE-MALE TUBE	1
*a	070246	GASKET SET CA2	1

MODEL CA2U TWO STAGE AIR COMPRESSOR PUMP

800-531-9656

www.IndustrialGold.com