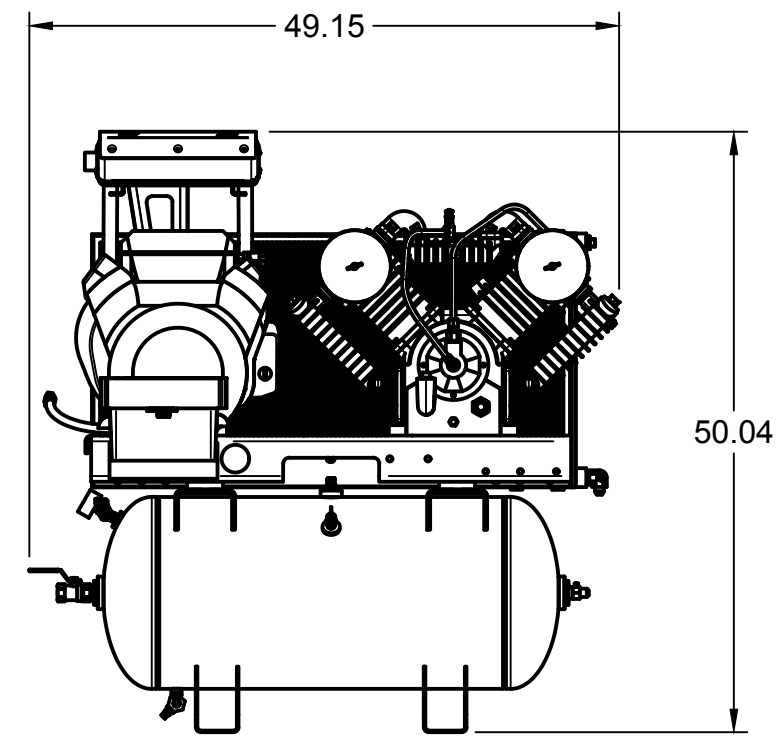
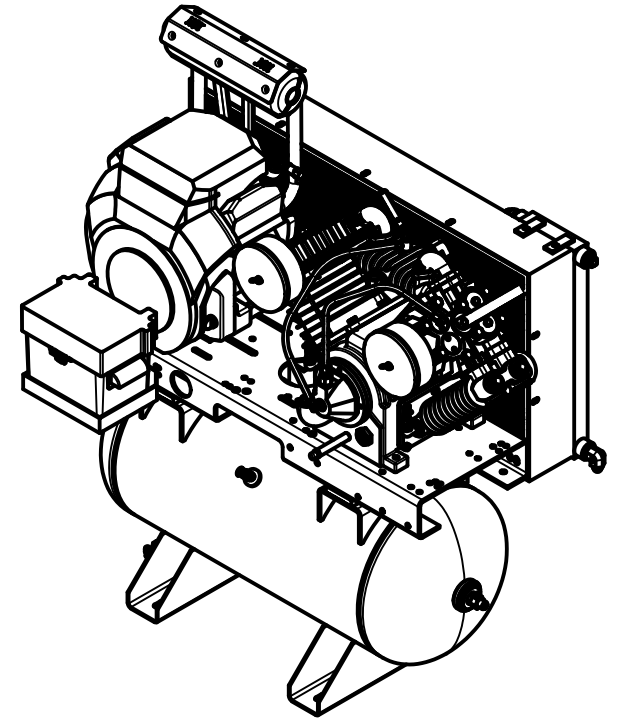
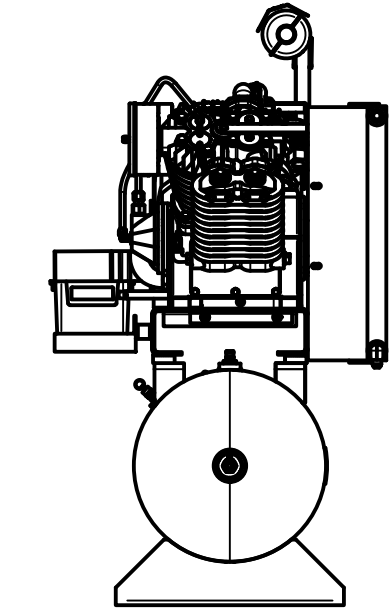


TOP VIEW



FRONT VIEW



SIDE VIEW

PARTS LIST

ITEM	QTY	PART NUMBER	DESCRIPTION
1	1	IAT-T30HGE6	30 GALLON HORIZ GAS ELITE
2	1	IAT-C186E	18HP HONDA ELITE SKID CA2U-S

TANK DISCHARGE
OUTLET SIZE: 3/4"

4

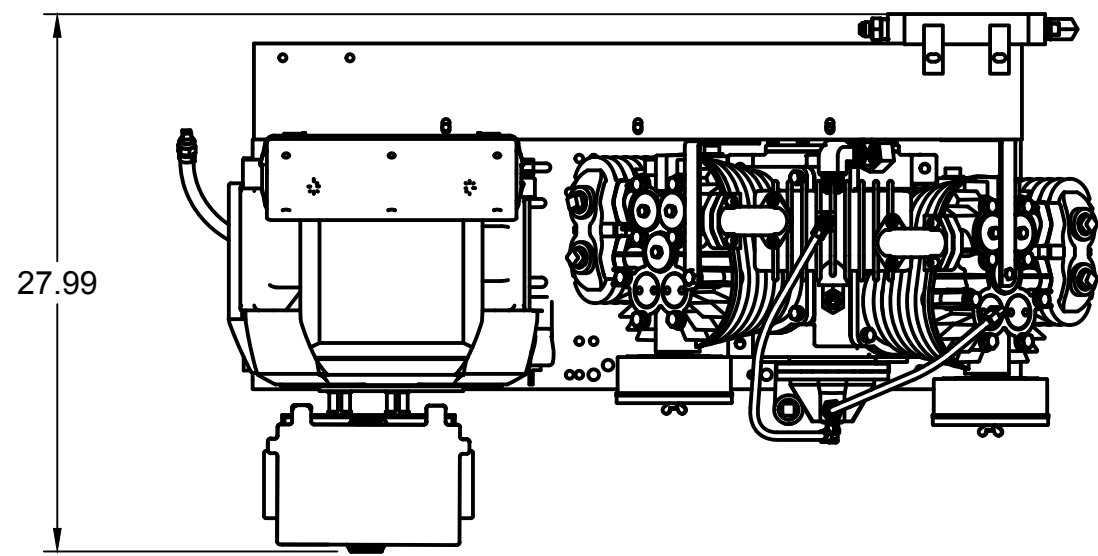
3

2

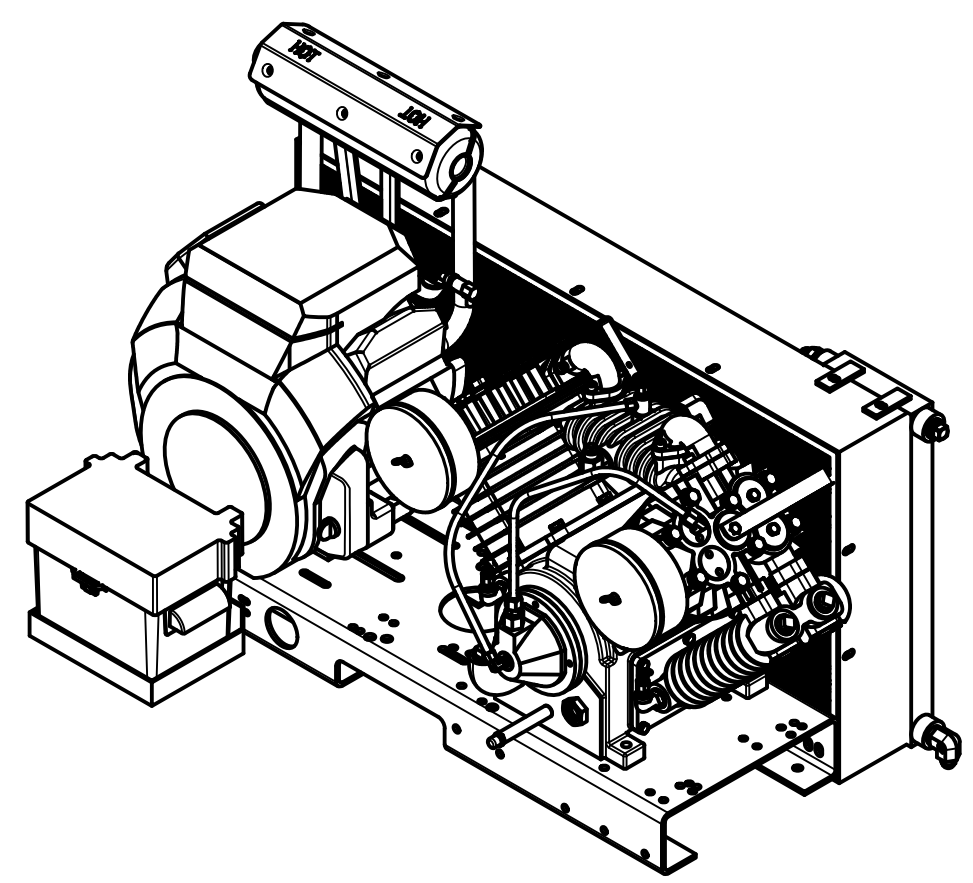
1

D

D

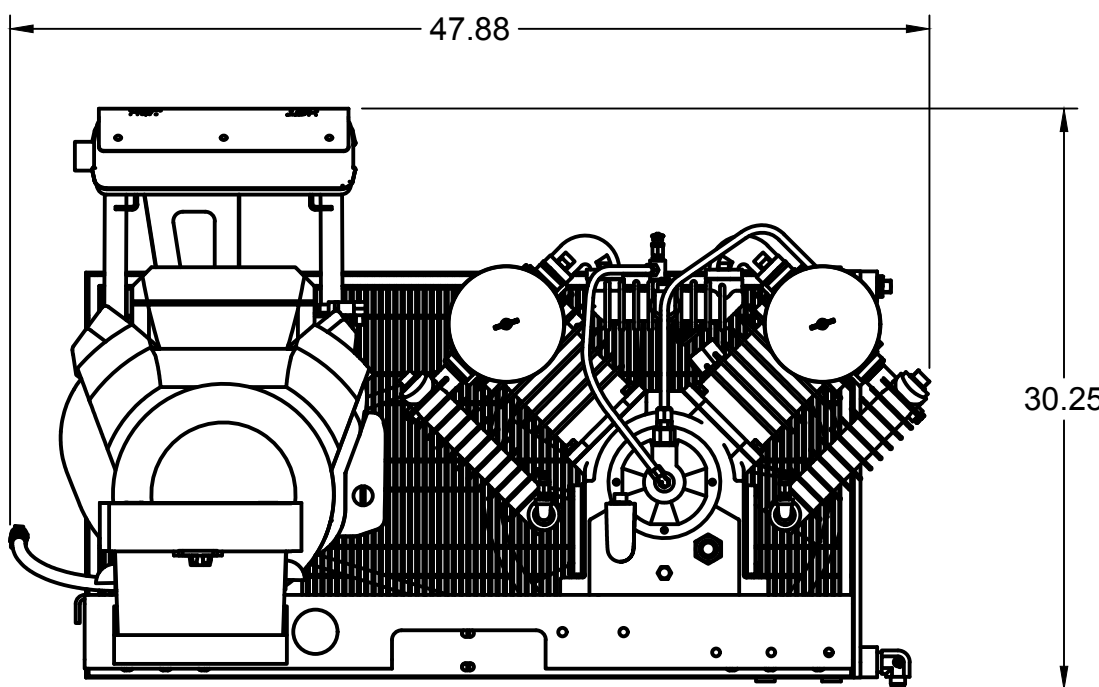
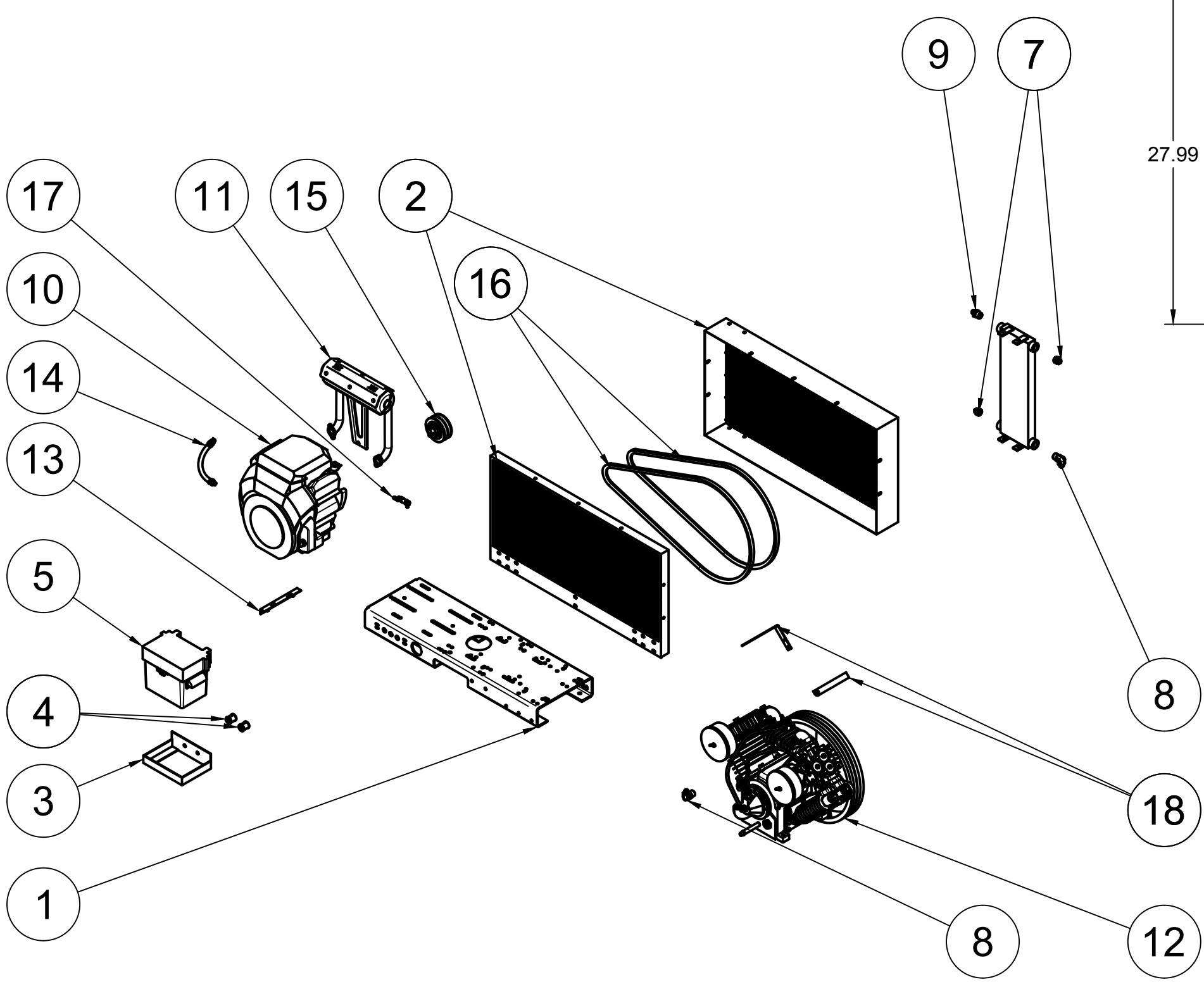


TOP VIEW

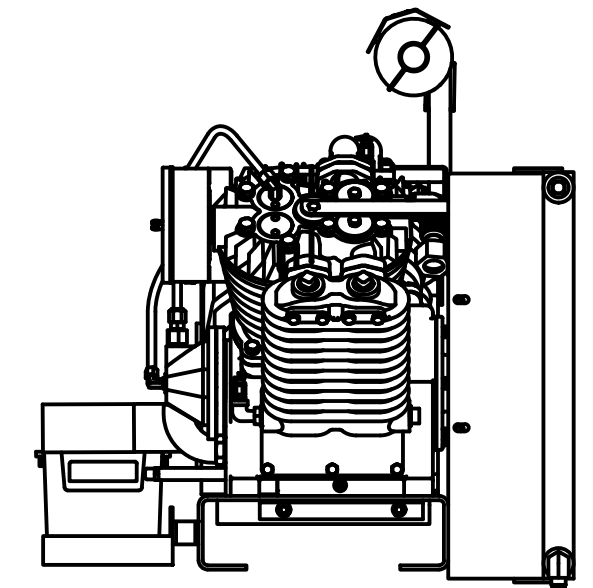


C

C



FRONT VIEW



SIDE VIEW

B

B

PARTS LIST

PARTS LIST

ITEM	QTY	PART NUMBER	DESCRIPTION
1	1	IAT-TP40BKWR (CURRENT)	40IN TOP PLATE
2	1	IAT-BG40X20X5N-2	BELT GUARD 10HP ELE NO CUT3N-
3	1	IAT-BATTERY PLATE	BATTERY PLATE
4	2	IAT-PF1/4COUPLING	1/4 COUPLING
5	1	IAT-BATTERY BOX SM	BATTERY BOX SMALL
6	1	IAT-M-12-AL	BELT GUARD COOLER 48 CFM
7	2	IAT-PF3/4PLUG	3/4" PLUG
8	2	IAT-2501-08-12-O	3/4 MP X 1/2 M JIC 90 DEG R IN
9	1	IAT-2404-08-12-O	3/4MP X 1/2 M JIC STRAIGHT OR

ITEM	QTY	PART NUMBER	DESCRIPTION
10	1	HONDA GX690	HONDA 22.2HP
11	1	578106 REV 00	SILVER 1570 MUFFLER
12	1	IAT-CA2-U-S	10HP BARE PUMP
13	1	IAT-MOTOR-ADJST BRKT	MOTOR ADJUSTMENT BRACKET
14	1	IAT-OIL-DRAIN	OIL DRAIN
15	1	IAT-LP2B445	PULLEY
16	2	IAT-B78	BELT
17	1	IAT-TCSP-H-1113-B	13-18 HP THROTTLE CONTRO
18	2	IAT-1/8X1X12	STRAP BELT GUARD

4

3

2

1

A

A

4

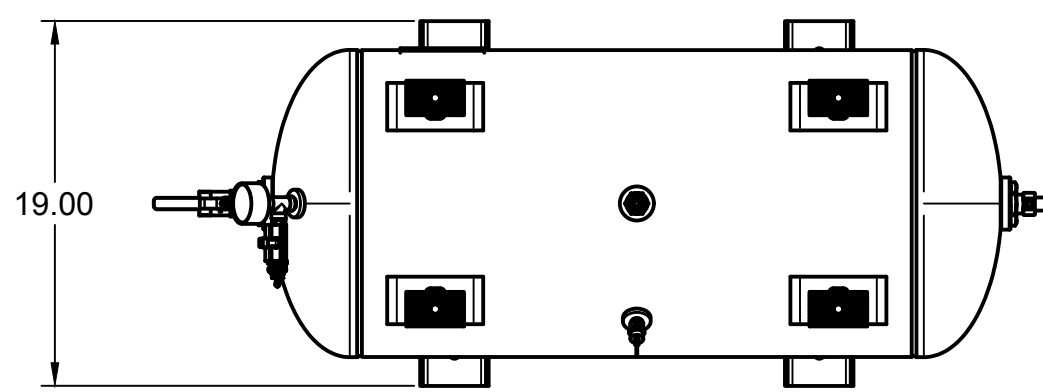
3

2

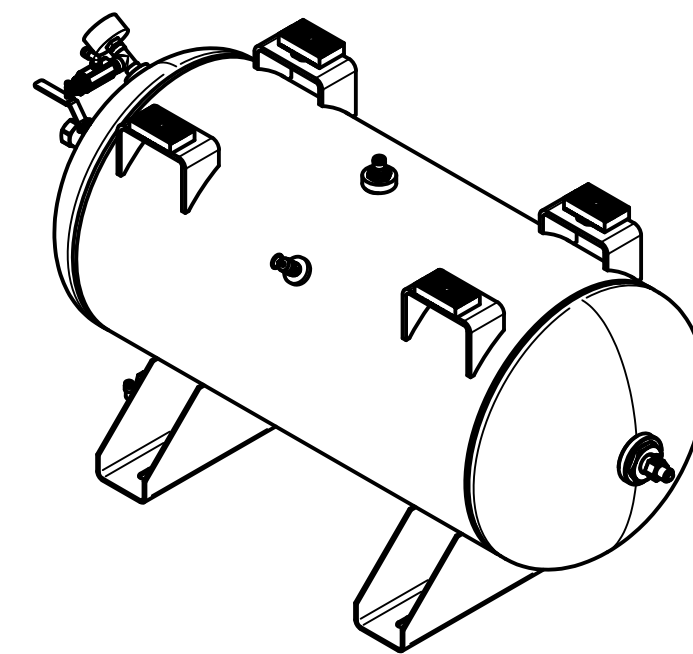
1

D

D

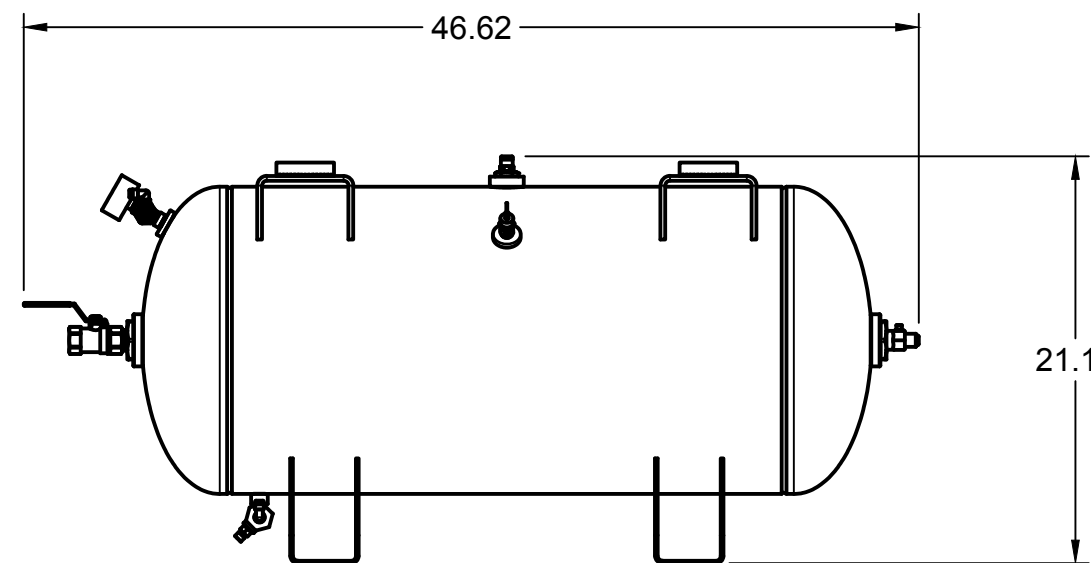


TOP VIEW

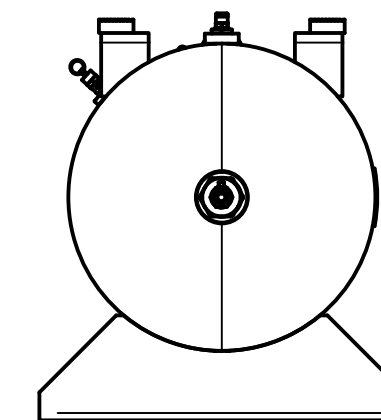


C

C



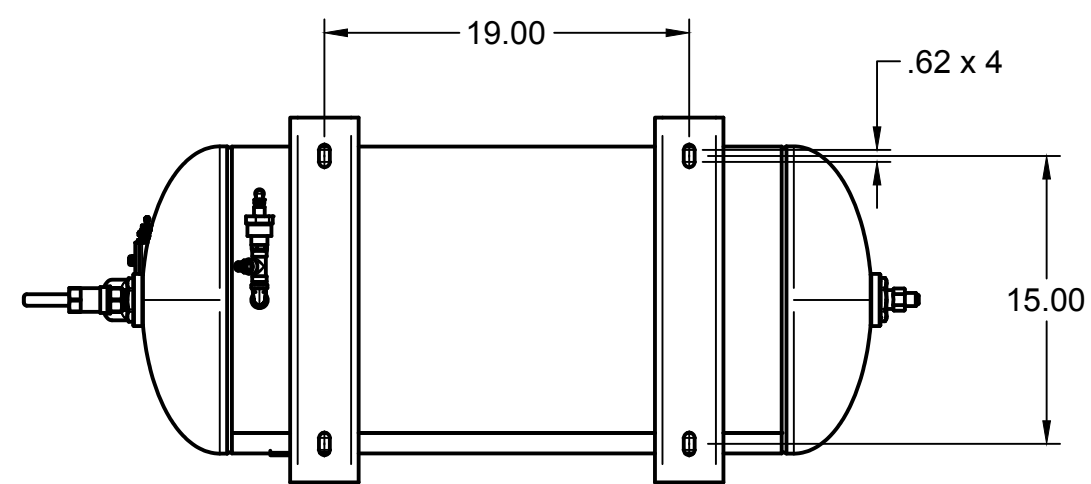
FRONT VIEW



SIDE VIEW

B

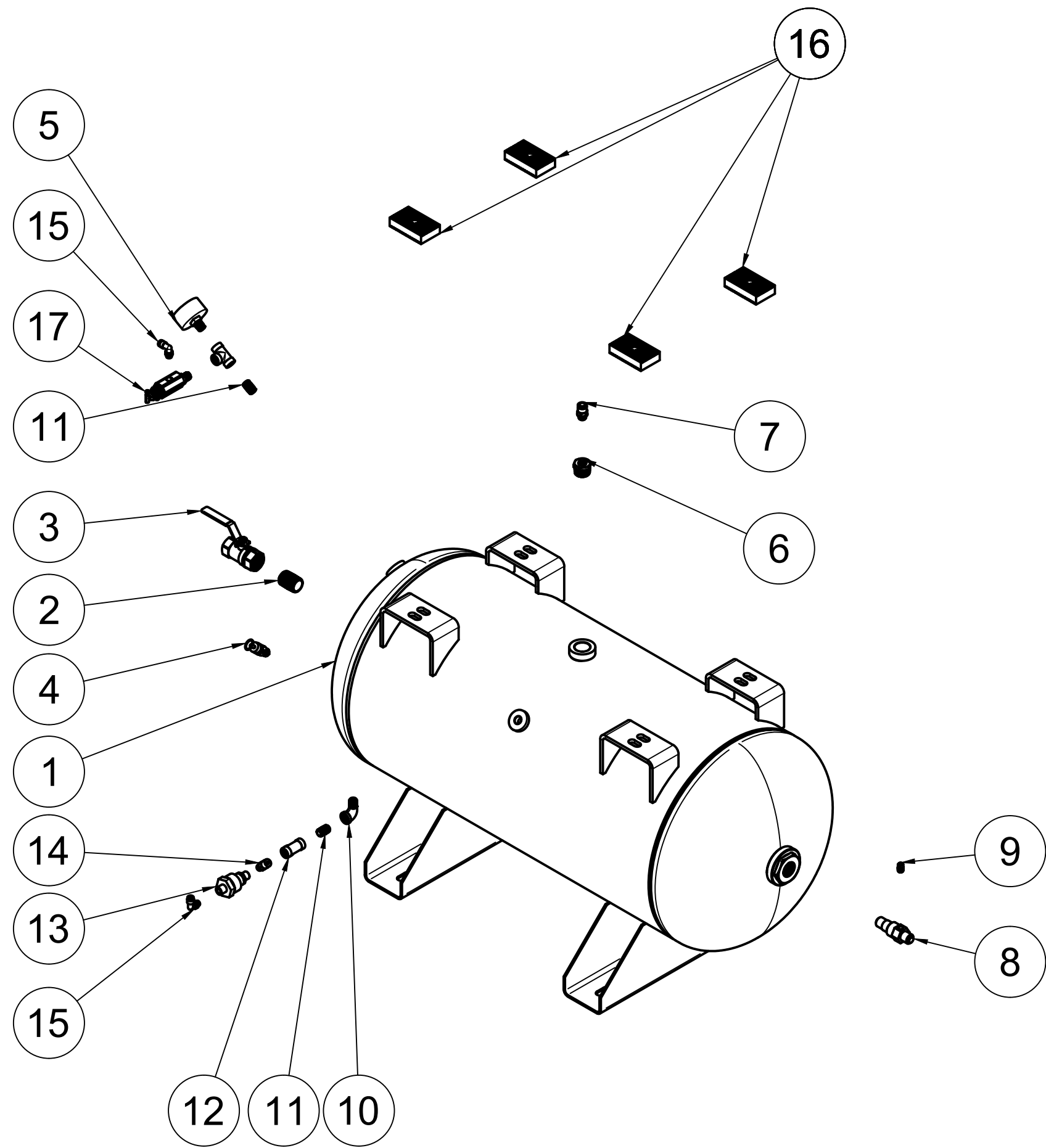
B



BOTTOM VIEW

A

A



PARTS LIST

ITEM	QTY	PART NUMBER	DESCRIPTION
1	1	IAT-30HNTP-BKWR-R4 V4	30 GALLON TANK
2	1	IAT-PF3/4"CL	3/4" CLOSE NIPPLE BL
3	1	IAT-716116	BALL VALVE 3/4
4	1	IAT-ST25-200	SAFETY VALVE 200 PSI
5	1	IAT-PSB20	AIR GAUGE BACK MT 1/4
6	1	IAT-PF3/4X1/4REDUCE	3/4X1/4 REDUCER GAL
7	1	IAT-BPC-2404-06-04	1/4 P X 3/8 COMP PUSH LOK ST
8	1	IAT-CTJ1234	JIC CHECK VALVE
9	1	IAT-109-2	1/8 BRASS PLUG

PARTS LIST

ITEM	QTY	PART NUMBER	DESCRIPTION
10	1	IAT-PF1/4" STR 90 B	1/4" STREET 90 GALV
11	2	IAT-PF1/4"CL	1/4" CLOSE NIPPLE GALV
12	2	IAT-PF1/4" T BLACK	1/4" T GALV
13	1	IAT-WV-1	AIR OPERATED AUTO TANK DRAIN
14	1	IAT-BDC604-04	1/4 PIPE DRAIN COCK
15	2	IAT-BPC-2501-04-02	1/8 P X 1/4 COMP PUSH LOK 90
16	4	IAT-3X1.8X.7D	RUBBER PAD FOR TOP PLATES
17	1	IAT-RCB-MHU160/175	PILOT VALVE 160/175

4

3

2

1