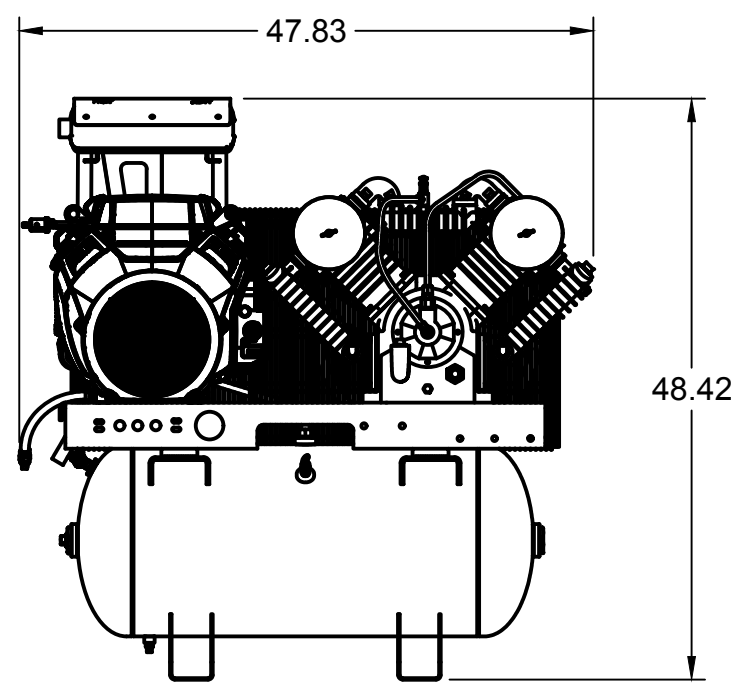
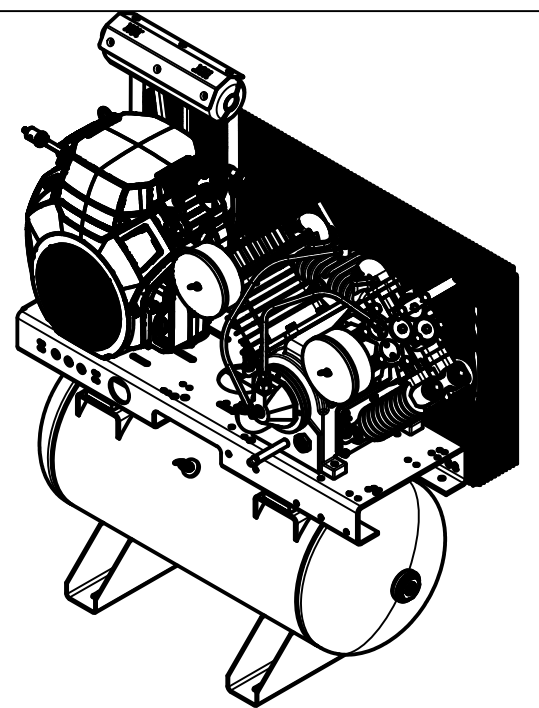
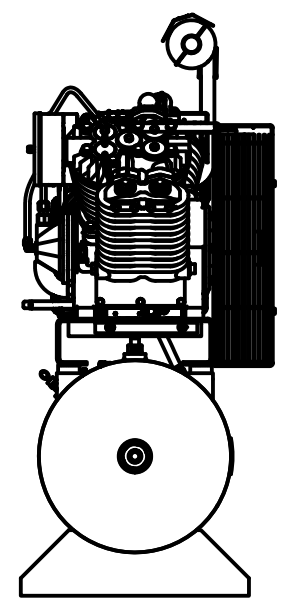


TOP VIEW



FRONT VIEW



SIDE VIEW

PARTS LIST

ITEM	QTY	PART NUMBER	DESCRIPTION
1	1	IAT-T30HG6	30 GALLON HORIZ GAS BASIC
2	1	IAT-C186	18HP HONDA BASIC SKID CA2U-S

TANK DISCHARGE
OUTLET SIZE: 3/4"

4

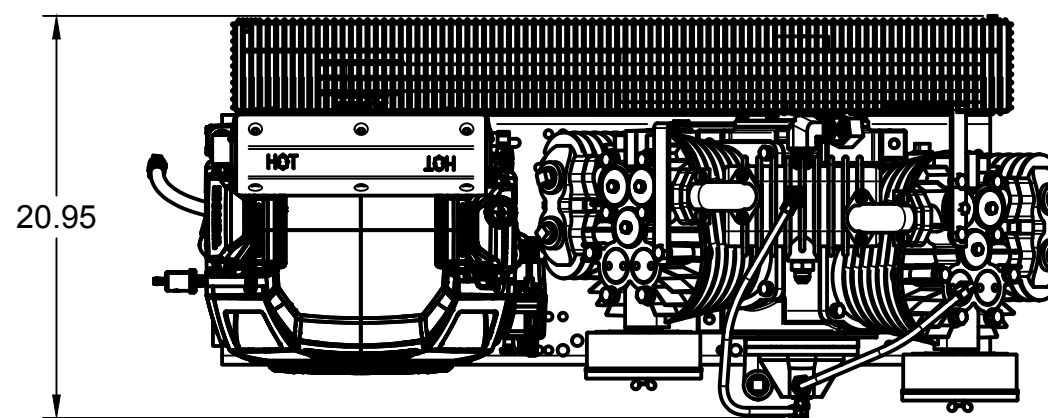
3

2

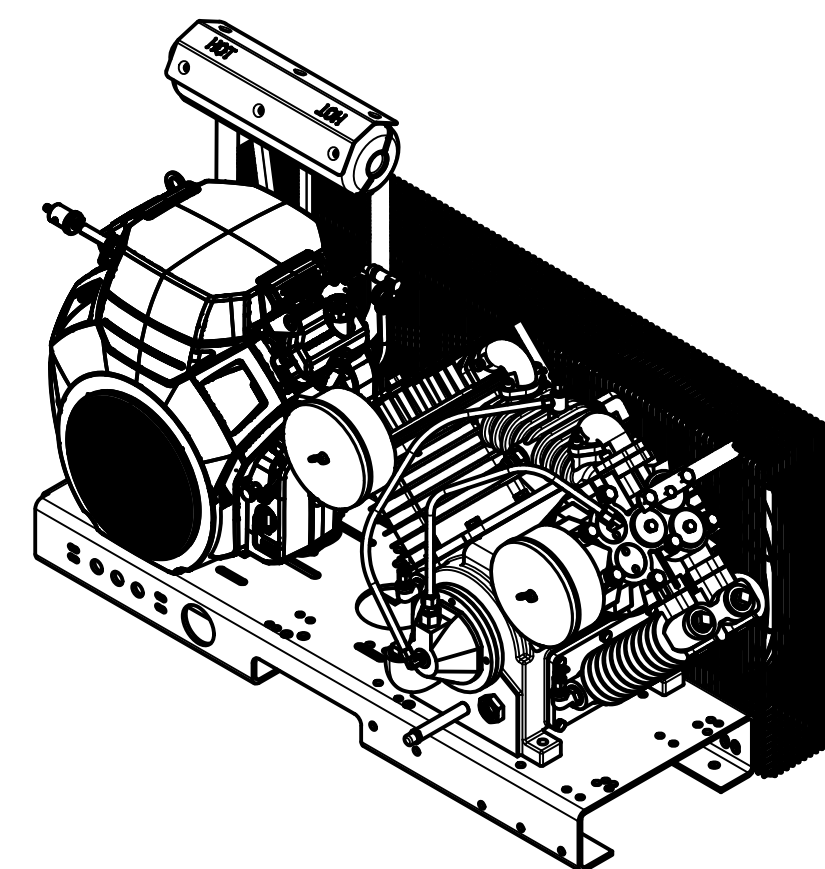
1

D

D

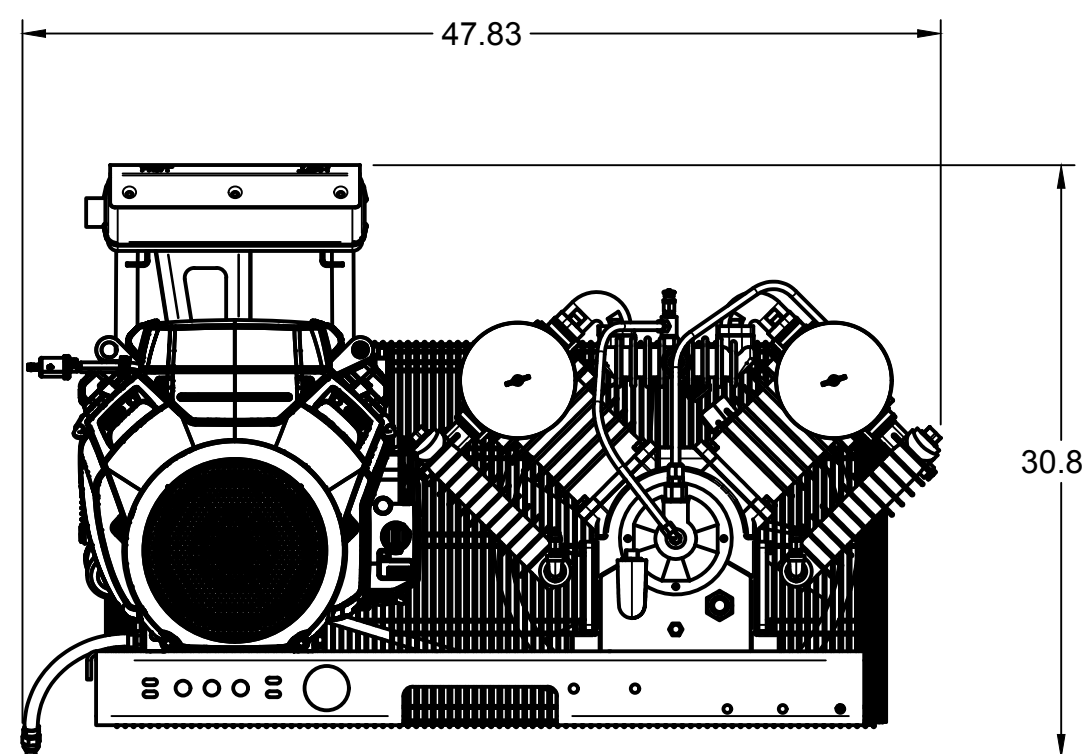
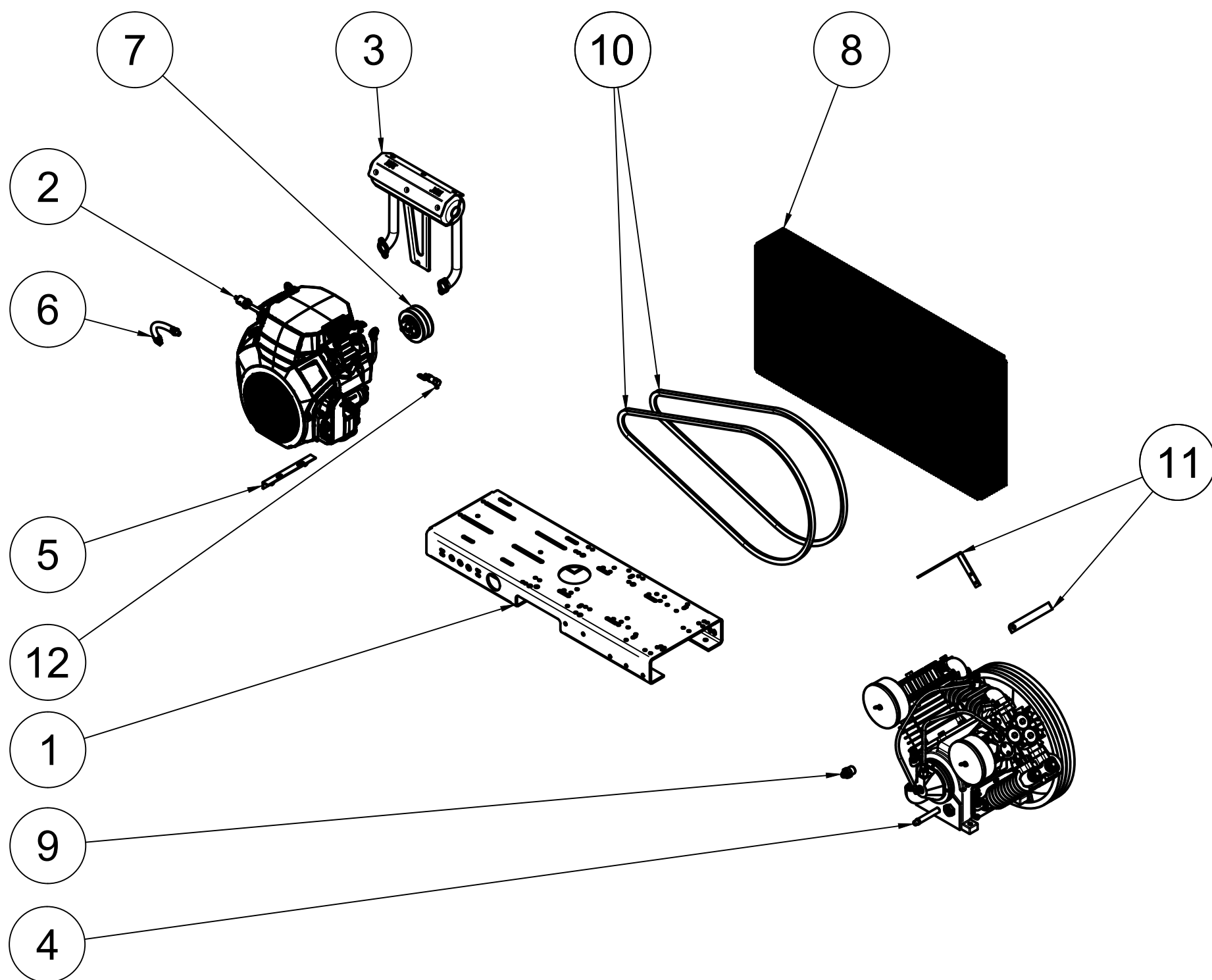


TOP VIEW

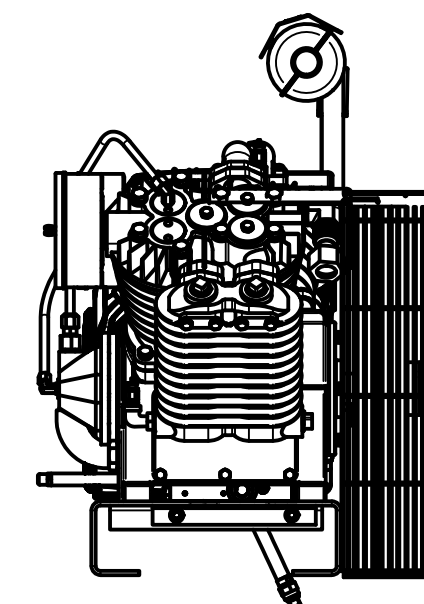


C

C



FRONT VIEW



SIDE VIEW

B

B

PARTS LIST

ITEM	QTY	PART NUMBER	DESCRIPTION
1	1	IAT-TP40BKWR (CURRENT)	40IN TOP PLATE
2	1	IAT-GX690TXA2	HONDA 22.2HP
3	1	IAT-MUF-1570-KIT	SILVER 1570 MUFFLER
4	1	IAT-CA2-U-S	10HP BARE PUMP
5	1	IAT-MOTOR-ADJST BRKT	MOTOR ADJUSTMENT BRACKET
6	1	IAT-OIL-DRAIN	OIL DRAIN
7	1	IAT-LP2B445	PULLEY
8	1	IAT-BG40X20X5EU	#3EU BELT GUARD 10HP ELE
9	1	IAT-2404-08-12-O	3/4MP X 1/2 M JIC STRAIGHT OR
10	2	IAT-B78	BELT
11	2	IAT-1/8X1X12	STRAP BELT GUARD
12	1	IAT-TCSP-H-5565-B	5.5 HP HONDA THROTTLE CONTRO

4

3

2

1

A

A

4

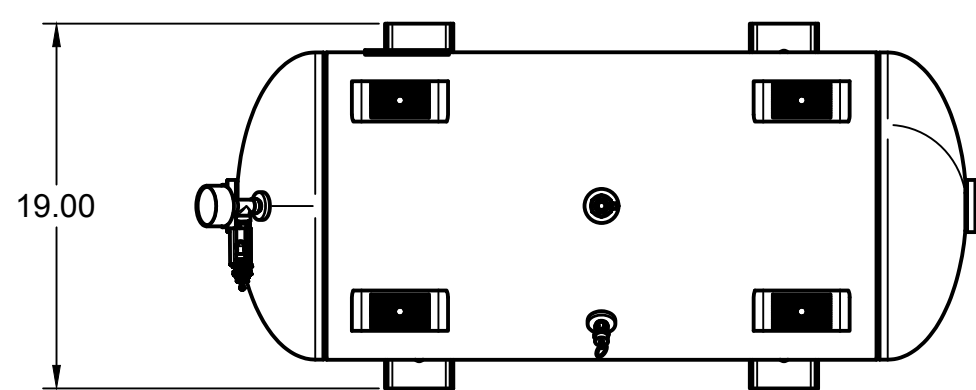
3

2

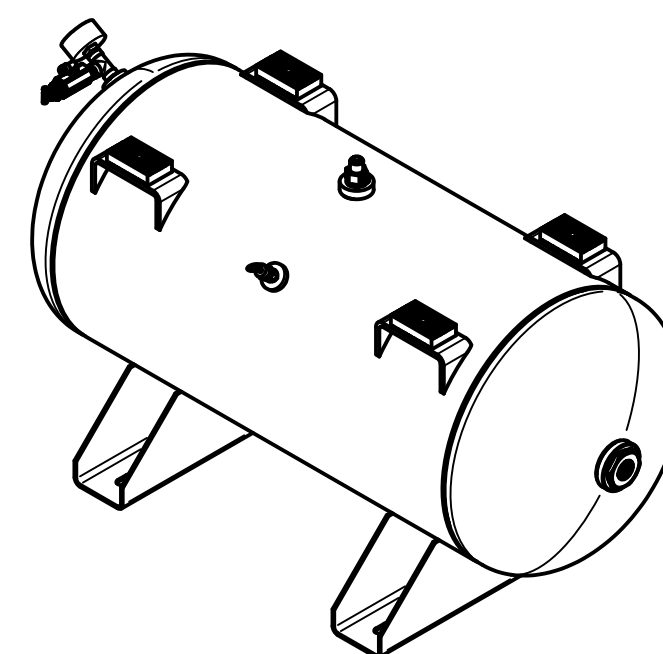
1

D

D

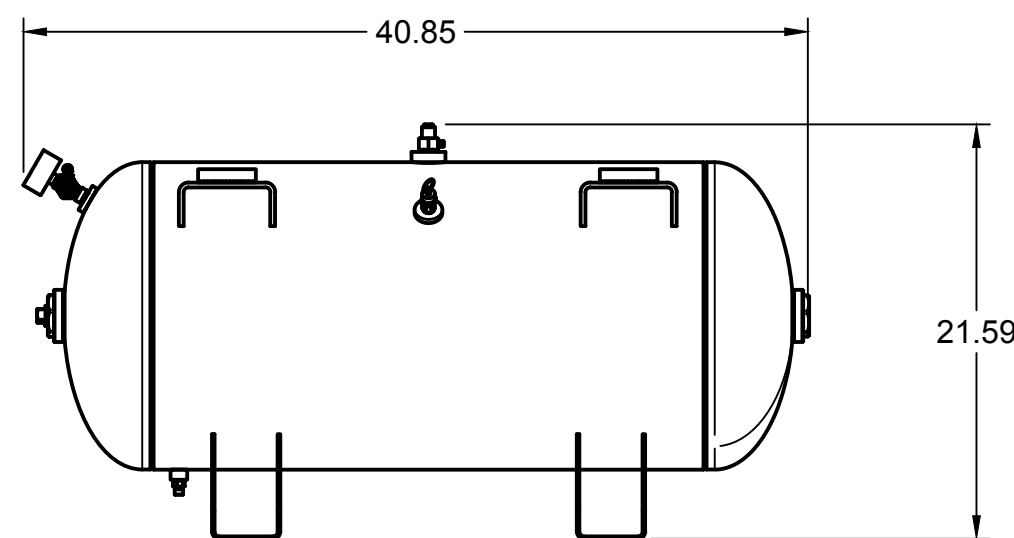


TOP VIEW

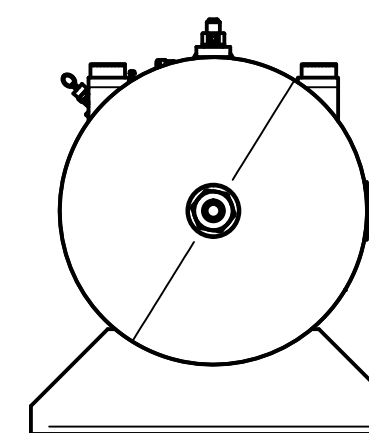


C

C



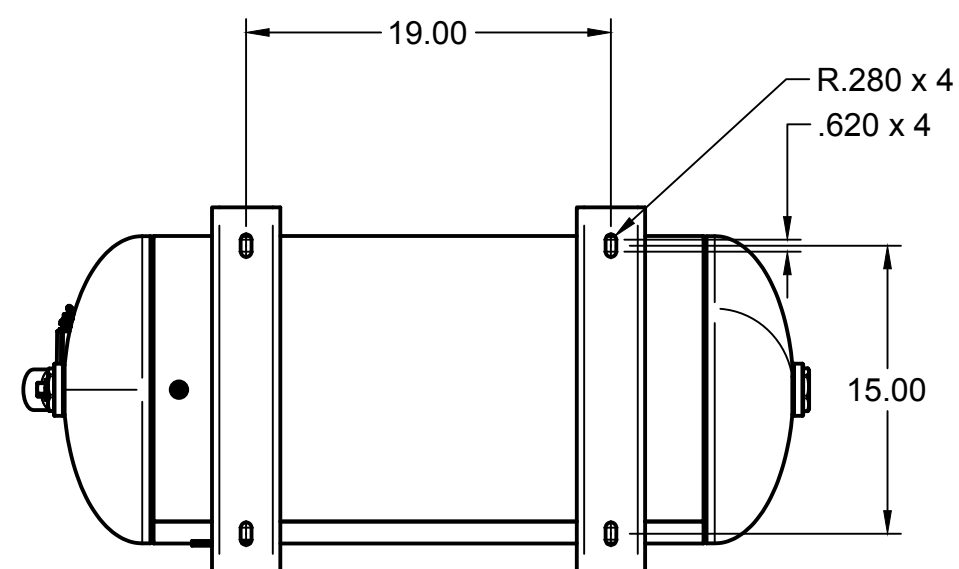
FRONT VIEW



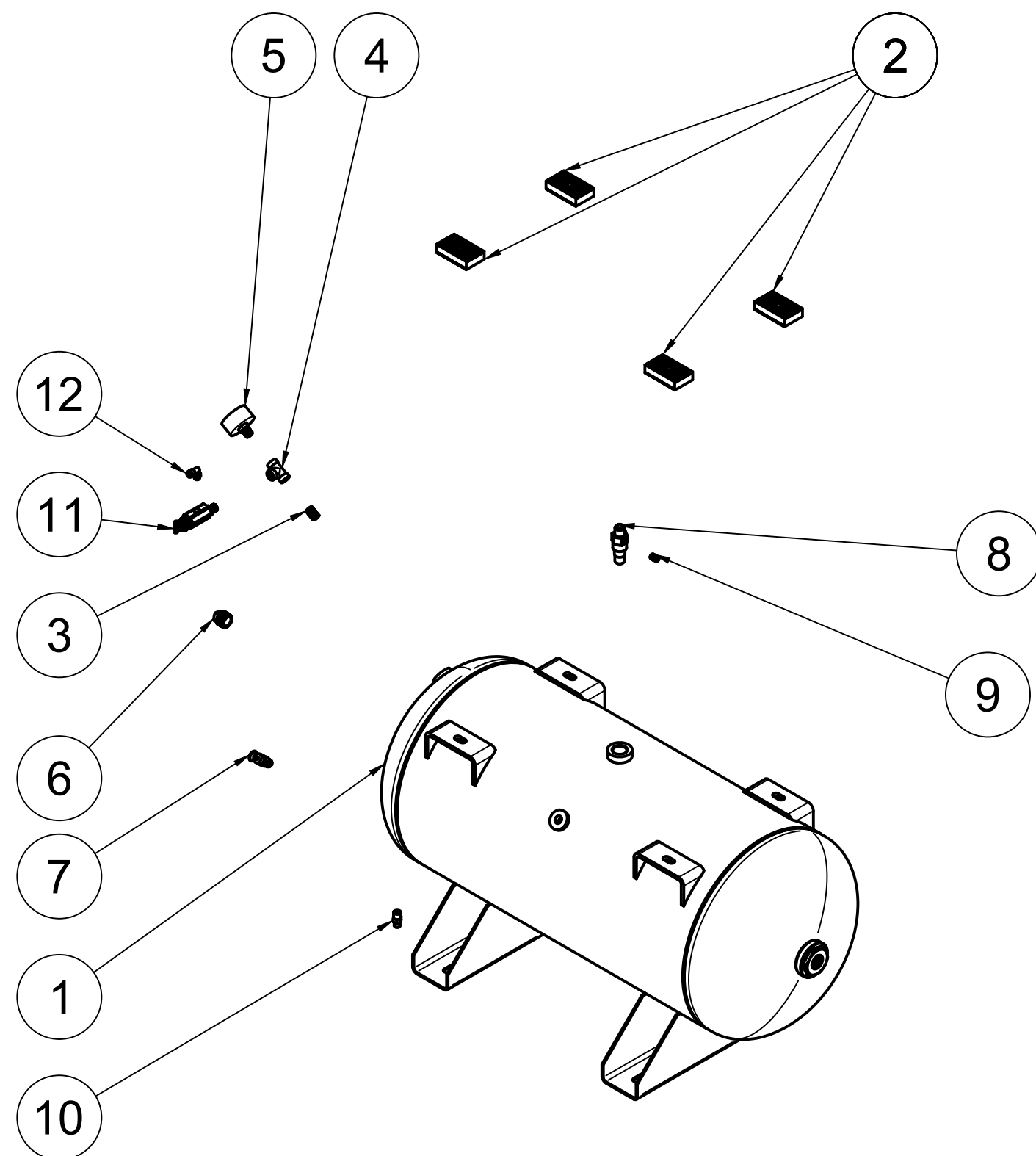
SIDE VIEW

B

B



BOTTOM VIEW



PARTS LIST

ITEM	QTY	PART NUMBER	DESCRIPTION
1	1	IAT-30HNTP-BKWR	30 GALLON TANK
2	4	IAT-3X1.8X.7D	RUBBER PAD FOR TOP PLATES
3	1	IAT-PF1/4"CL	1/4" CLOSE NIPPLE GALV
4	1	IAT-PF1/4" T BLACK	1/4" T GALV
5	1	IAT-PSB20	AIR GAUGE BACK MT 1/4
6	1	IAT-PF3/4PLUG	3/4" PLUG
7	1	IAT-ST25-200	SAFETY VALVE 200 PSI
8	1	IAT-CTJ1234	JIC CHECK VALVE
9	1	IAT-109-2	1/8 BRASS PLUG
10	1	IAT-BDC604-04	1/4 PIPE DRAIN COCK
11	1	IAT-RCB-MHU160/175	PILOT VALVE 160/175
12	1	IAT-BPC-2501-04-02	1/8 P X 1/4 COMP PUSH LOK 90

4

3

2

1

A

A