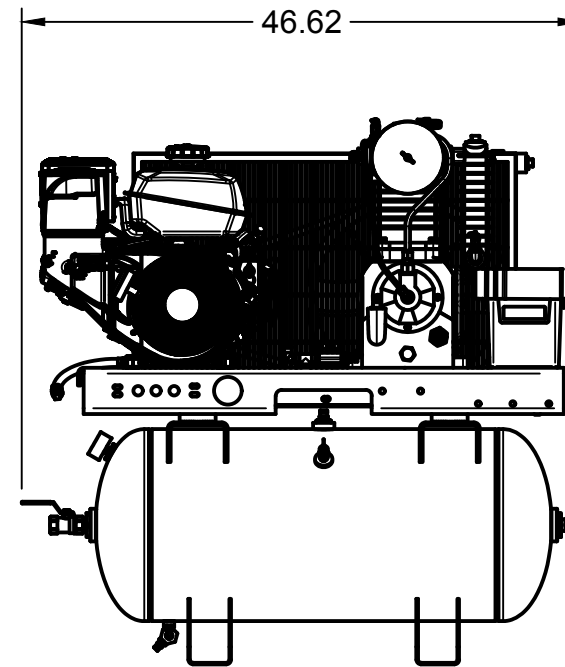
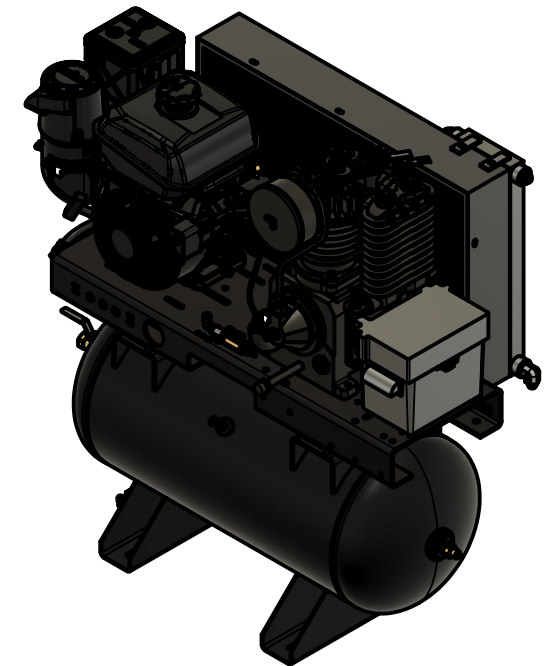
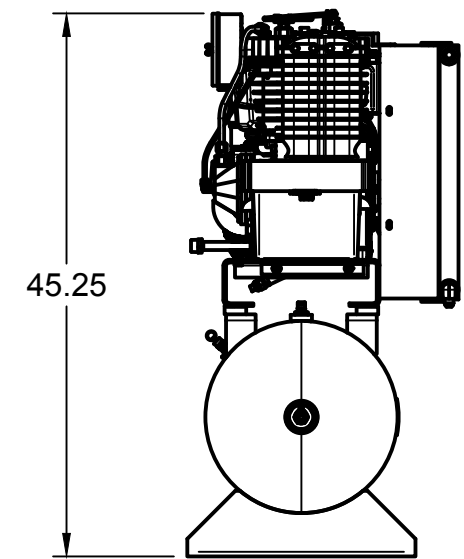


TOP VIEW



FRONT VIEW



SIDE VIEW

PARTS LIST

ITEM	QTY	PART NUMBER	DESCRIPTION
1	1	IAT-T30HGE	30 GALLON HORIZ GAS ELITE
2	1	IAT-C144E	14HP KOHLER ELITE SKID CA1BU

TANK DISCHARGE
OUTLET SIZE: 3/4"

4 3 2 1

D

C

B

A

TOP VIEW

FRONT VIEW

SIDE VIEW

PARTS LIST

PARTS LIST

ITEM	QTY	PART NUMBER	DESCRIPTION
1	1	IAT-TP40BKWR (CURRENT)	40IN TOP PLATE
2	1	IAT-CH440	14HP KOHLER ENGINE
3	1	IAT-CA1-B-U	5 HP W/CENT/UL H/U
4	1	IAT-BG5X18X32X10G-V2	BELT GUARD 11-15 HP GAS EU
5	1	IAT-OIL-DRAIN	OIL DRAIN
6	1	IAT-MOTOR-ADJST BRKT	MOTOR ADJUSTMENT BRACKET
7	1	IAT-PF1/4" T BLACK	1/4" T GALV
8	1	IAT-RCB-MHU160/175	PILOT VALVE 160/175
9	1	IAT-BPC-2601-04-0402	1/4" PUSH LOK TEE X 1/8" NPT
10	1	IAT-5406-P-04	1/4" STEEL HEX PLUG
11	1	IAT-LPH1HUB	1"H HUB

12	1	IAT-LP2B495H	PULLEY (2BK52H)
13	2	IAT-B72	BELT
14	2	IAT-2404-08-12-O	3/4MP X 1/2 M JIC STRAIGHT OR
15	1	IAT-TCSP-H-5565-B	5.5 HP HONDA THROTTLE CONTRO
16	1	IAT-BATTERY BOX SM	BATTERY BOX SMALL
17	1	IAT-M-12-AL	BELT GUARD COOLER 48 CFM
18	1	IAT-2501-08-12-O	3/4 MP X 1/2 M JIC 90 DEG R IN
19	2	IAT-PF3/4PLUG	3/4" PLUG
20	1	IAT-BGST-CA-V3	BELT GUARD STRAP FOR CA1
21	1	IAT-BPC-2501-06-04	1/4 P X 3/8 COMP PUSH LOK 90

4 3 2 1

4

3

2

1

D

D

C

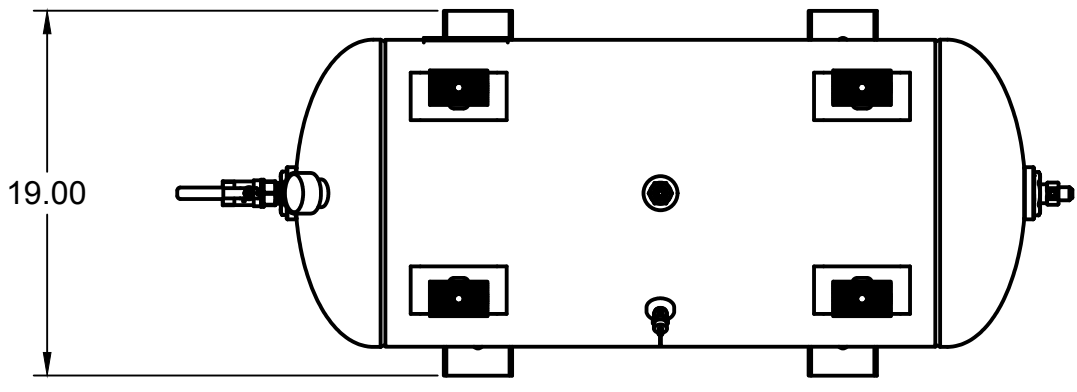
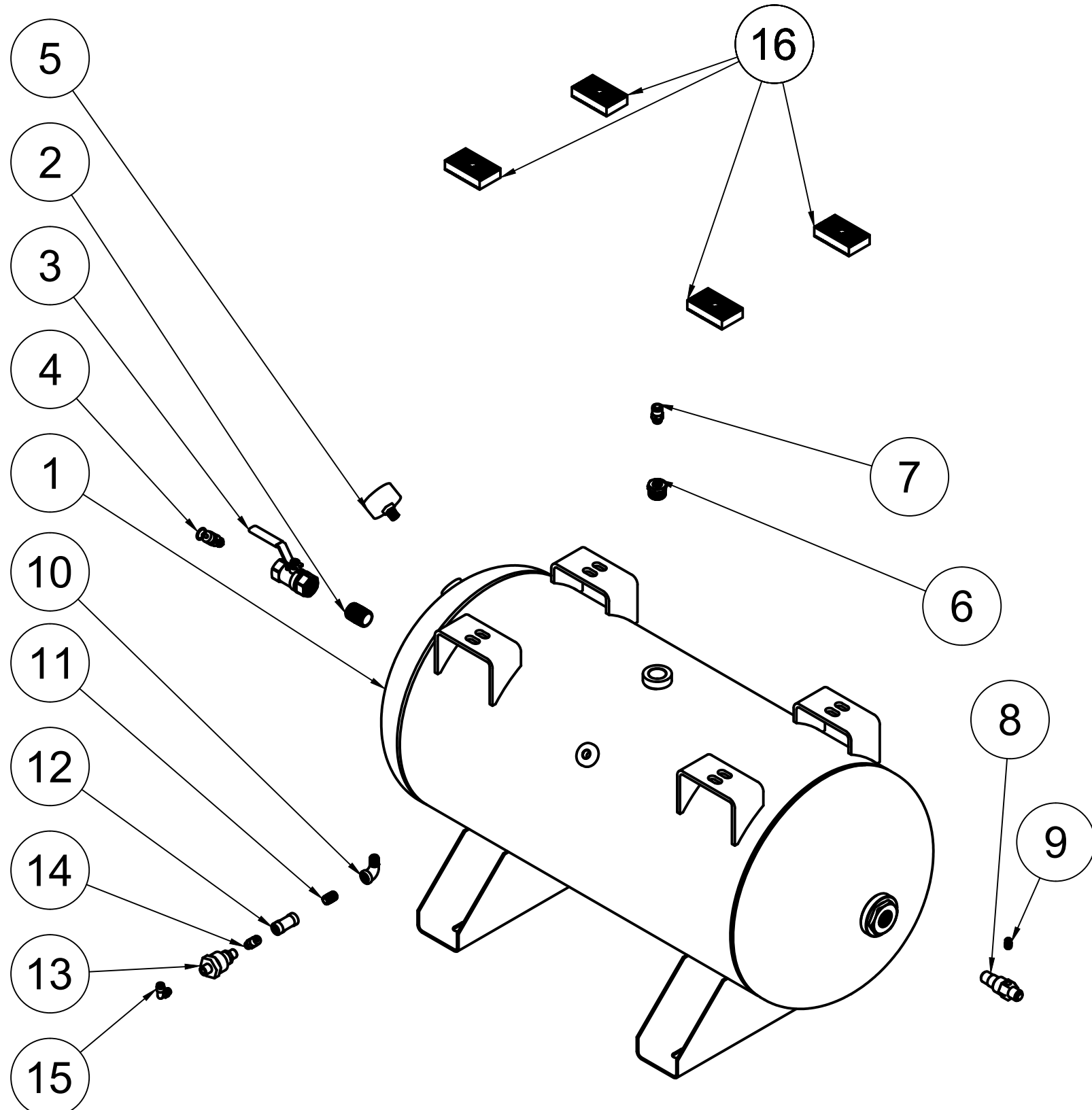
C

B

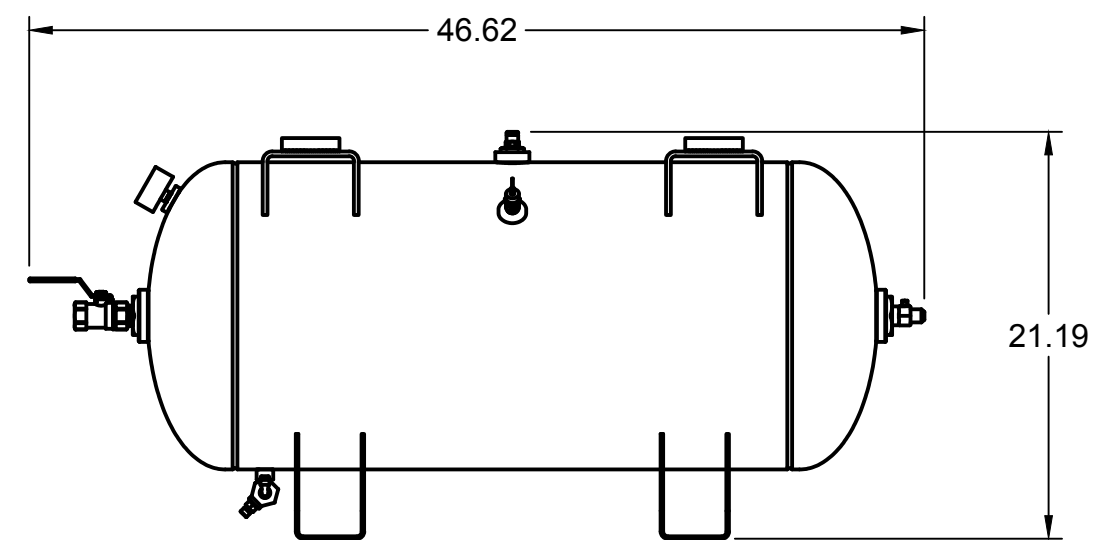
B

A

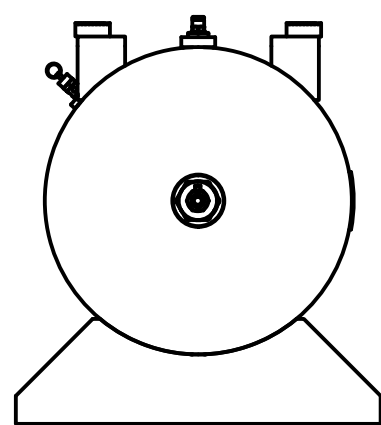
A



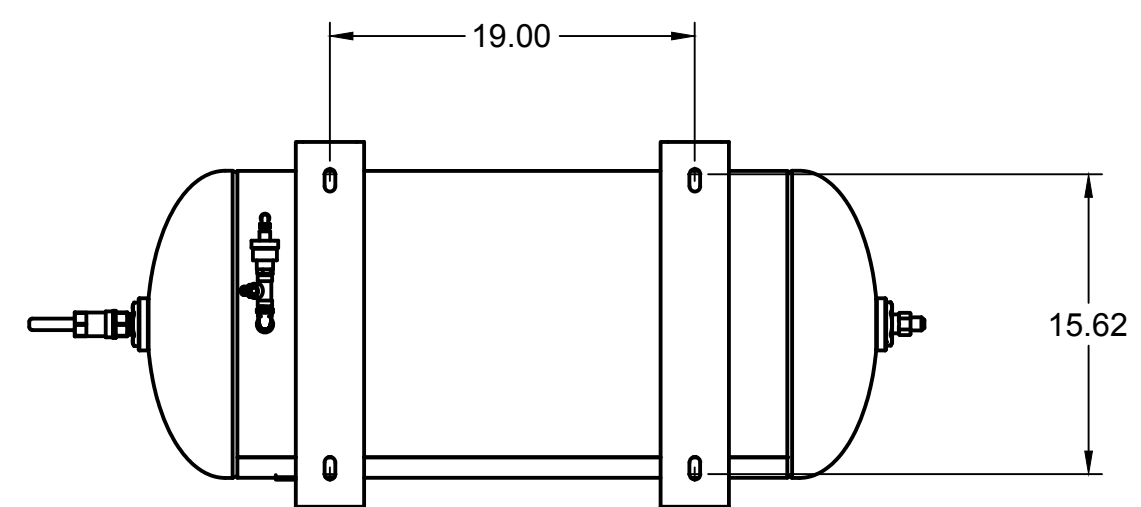
TOP VIEW



FRONT VIEW



SIDE VIEW



BOTTOM VIEW

PARTS LIST				PARTS LIST			
ITEM	QTY	PART NUMBER	DESCRIPTION	ITEM	QTY	PART NUMBER	DESCRIPTION
1	1	IAT-30HNTP-BKWR-R4 V4	30 GALLON TANK	9	1	IAT-109-2	1/8 BRASS PLUG
2	1	IAT-PF3/4"CL	3/4" CLOSE NIPPLE BL	10	1	IAT-PF1/4" STR 90 B	1/4" STREET 90 GALV
3	1	IAT-716116	BALL VALVE 3/4	11	1	IAT-PF1/4"CL	1/4" CLOSE NIPPLE GALV
4	1	IAT-ST25-200	SAFETY VALVE 200 PSI	12	1	IAT-PF1/4" T BLACK	1/4" T GALV
5	1	IAT-PSB20	AIR GAUGE BACK MT 1/4	13	1	IAT-WV-1	AIR OPERATED AUTO TANK DRAIN
6	1	IAT-PF3/4X1/4REDUCE	3/4X1/4 REDUCER GAL	14	1	IAT-BDC604-04	1/4 PIPE DRAIN COCK
7	1	IAT-BPC-2404-06-04	1/4 P X 3/8 COMP PUSH LOK ST	15	1	IAT-BPC-2501-04-02	1/8 P X 1/4 COMP PUSH LOK 90
8	1	IAT-CTJ1234	JIC CHECK VALVE	16	4	IAT-3X1.8X.7D	RUBBER PAD FOR TOP PLATES

4

3

2

1