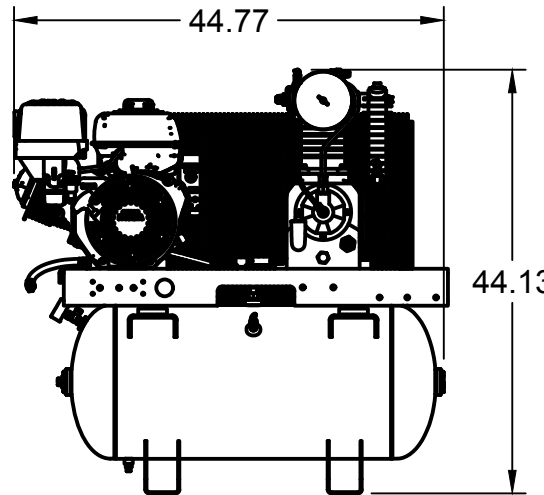
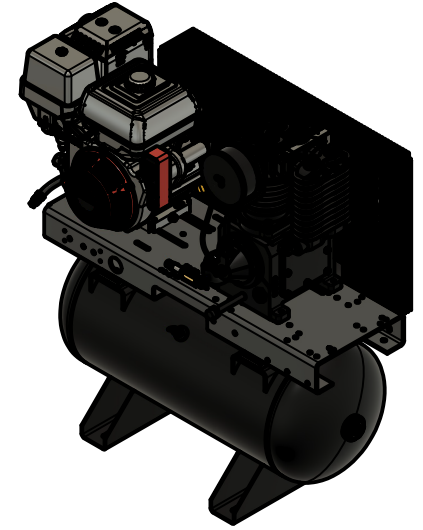
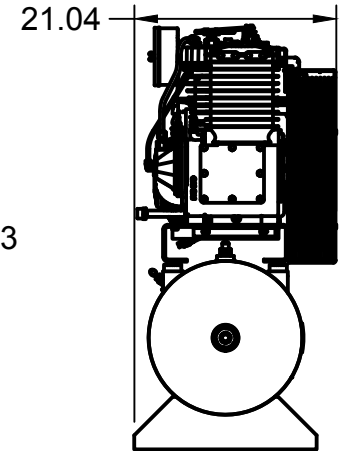


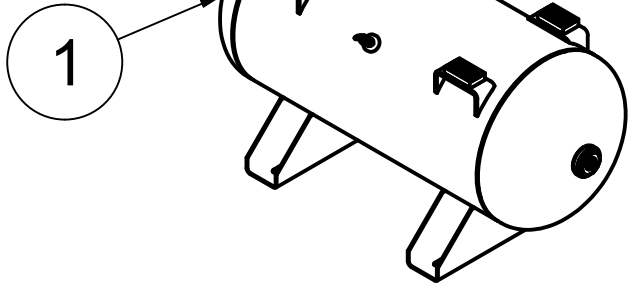
TOP VIEW



FRONT VIEW  
SCALE 1:20



SIDE VIEW

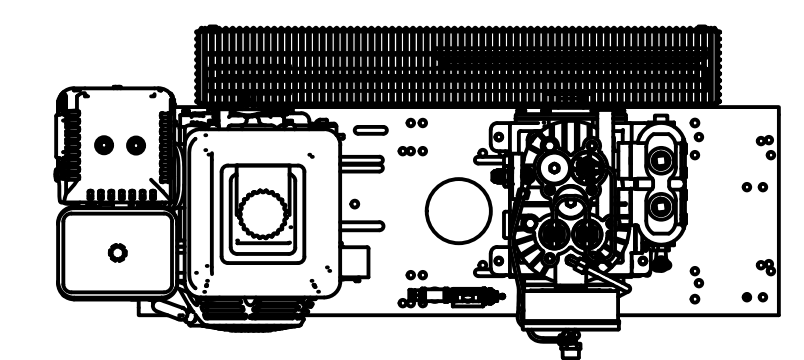
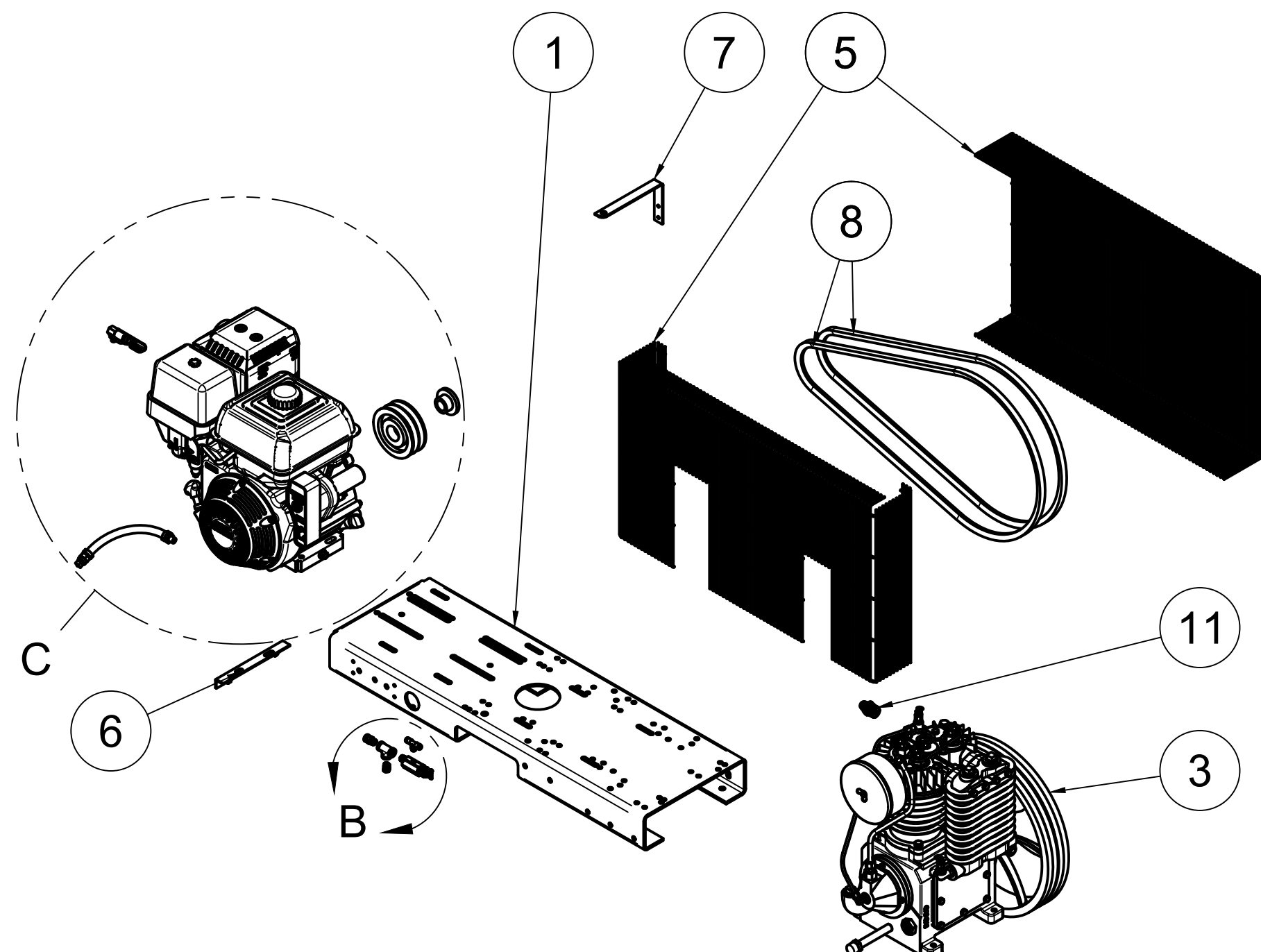


COMPONENT  
SUBASSEMBLY  
SCALE 1:16

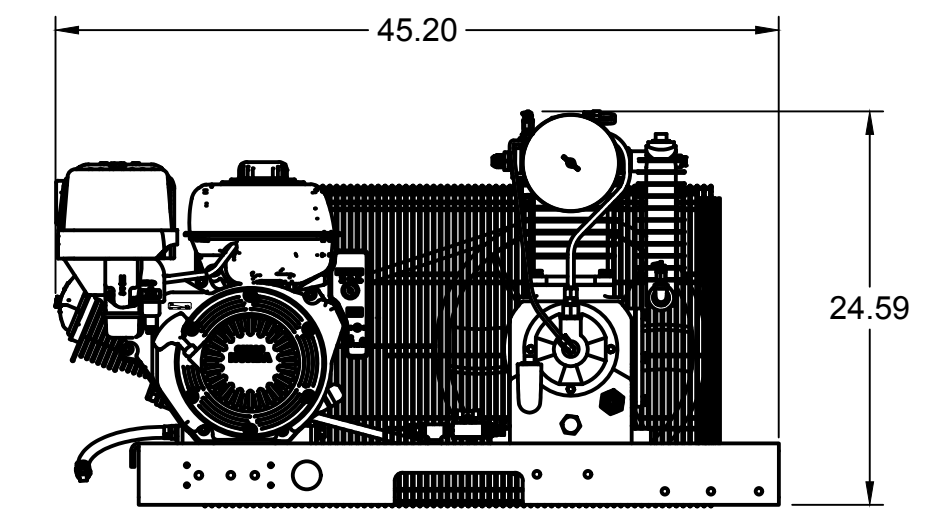
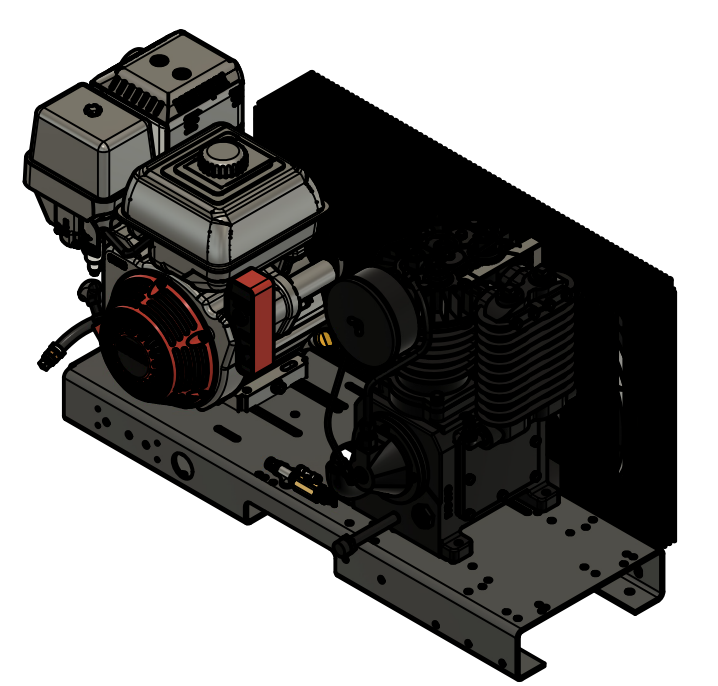
TANK DISCHARGE  
OUTLET SIZE: 3/4"

PARTS LIST

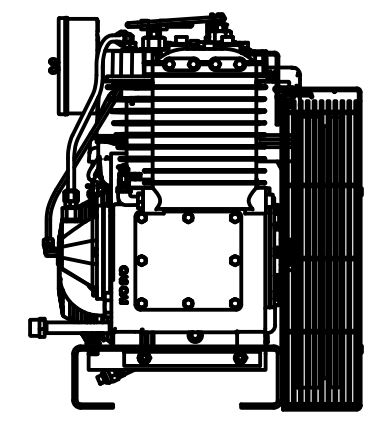
ITEM	QTY	PART NUMBER	DESCRIPTION
1	1	IAT-T30HG	30 GALLON HORIZ GAS BASIC
2	1	IAT-C134	13 HP HONDA BASIC SKID CA1BU



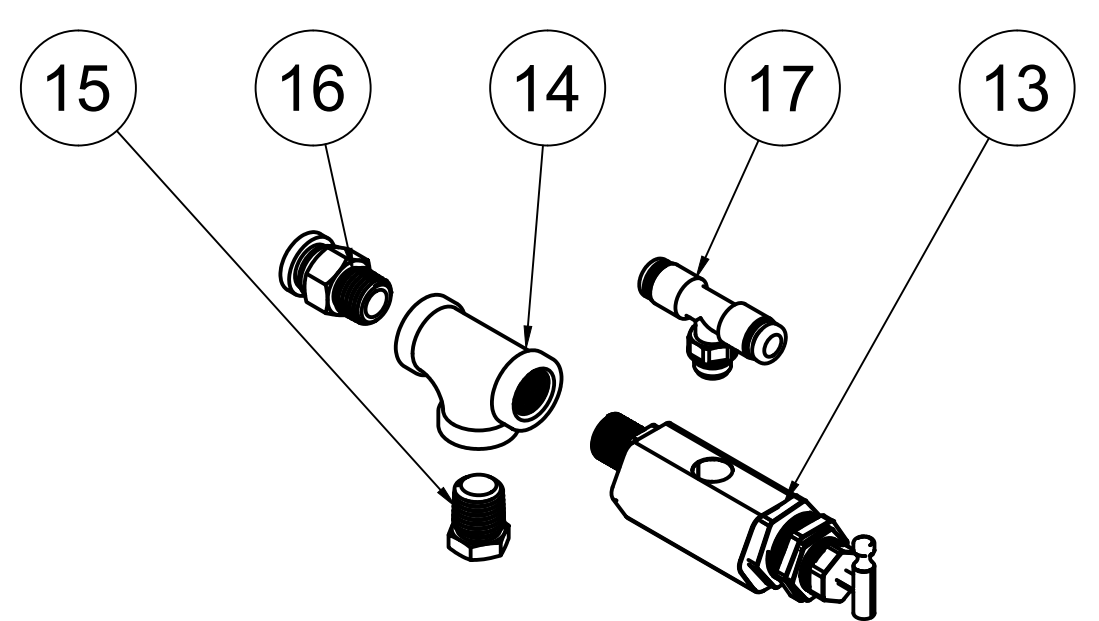
TOP VIEW



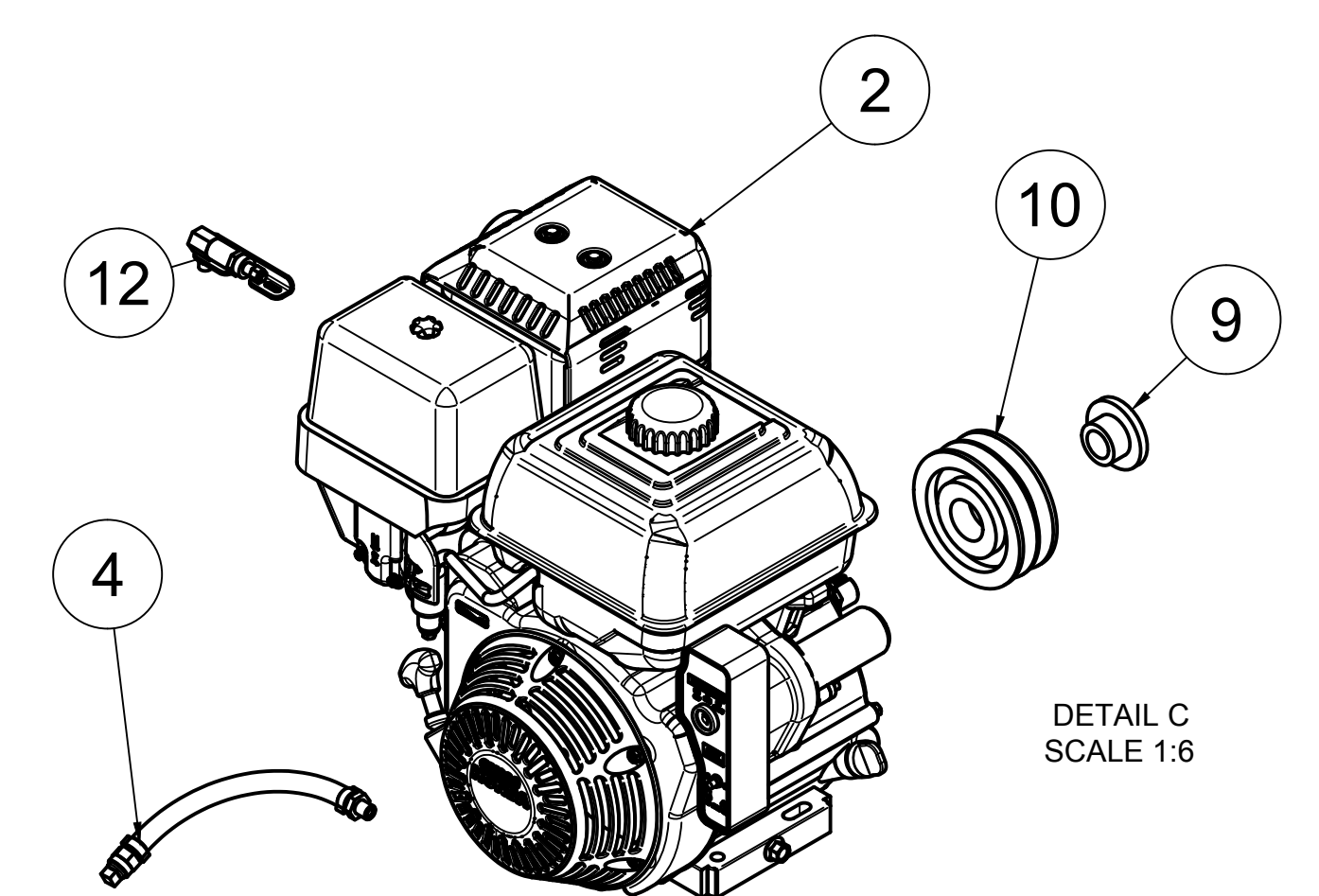
FRONT VIEW



SIDE VIEW



DETAIL B  
SCALE 1:2



DETAIL C  
SCALE 1:6

PARTS LIST

ITEM	QTY	PART NUMBER	DESCRIPTION
1	1	IAT-TP40BKWR	40IN TOP PLATE
2	1	IAT-GX390K1QAE2	13HP ELE. START HONDA
3	1	IAT-CA1-B-U	5 HP W/CENT/UL H/U
4	1	IAT-OIL-DRAIN	ENGINE OIL DRAIN ASSY
5	1	IAT-BG5X18X32X10GEU	BELT GUARD 11-15HP GAS EU
6	1	IAT-MOTOR-ADJST BRKT	MOTOR ADJUSTMENT BRACKET
7	1	IAT-1/8X1X12	STRAP BELT GUARD
8	2	IAT-B72	BELT
9	1	IAT-LPH1HUB	1"H HUB

PARTS LIST

ITEM	QTY	PART NUMBER	DESCRIPTION
10	1	IAT-LP2B495H	PULLEY
11	1	IAT-2404-08-12-O	3/4MP X 1/2 M JIC STRAIGHT OR
12	1	IAT-TCSP-H-1113-B	13-18 HP THROTTLE CONTROL
13	1	IAT-RCB-MHU160/175	PILOT VALVE 160/175
14	1	IAT-PF1/4" T BLACK	1/4" T GALV
15	1	IAT-5406-P-04	1/4" STEEL HEX PLUG
16	1	IAT-BPC-2404-06-04	1/4 P X 3/8 COMP PUSH LOK ST
17	1	IAT-BPC-2601-04-0402 V1	1/4" PUSH LOK TEE X 1/8" NPT

4

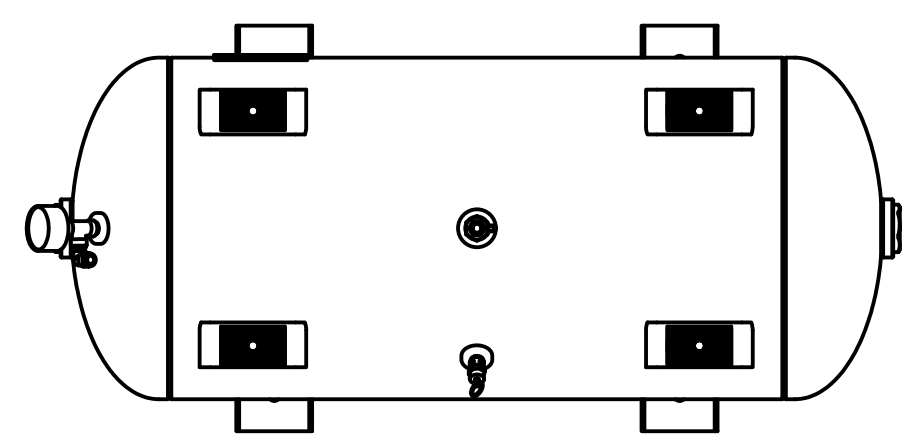
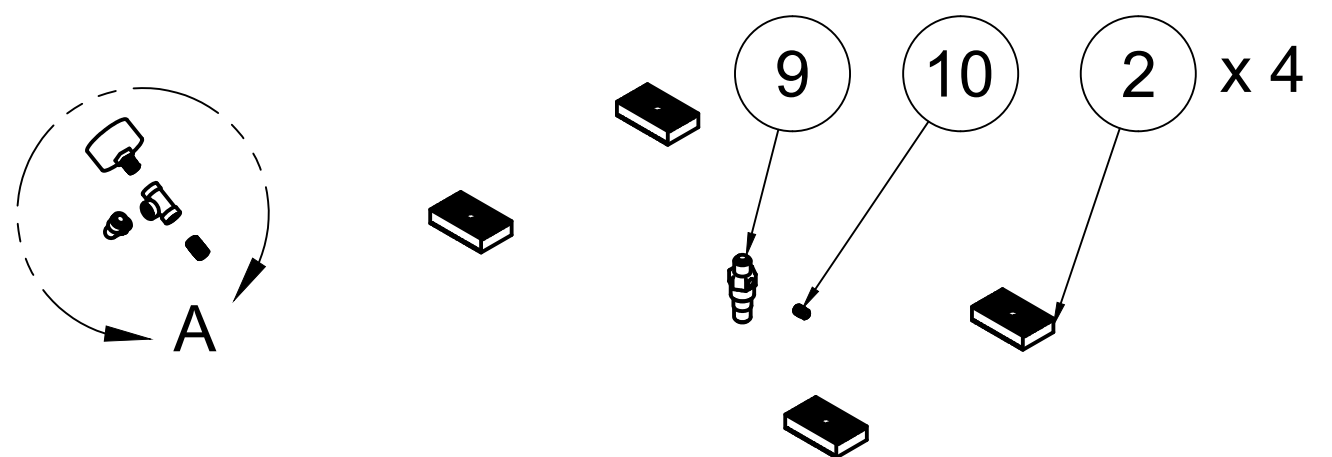
3

2

1

D

D

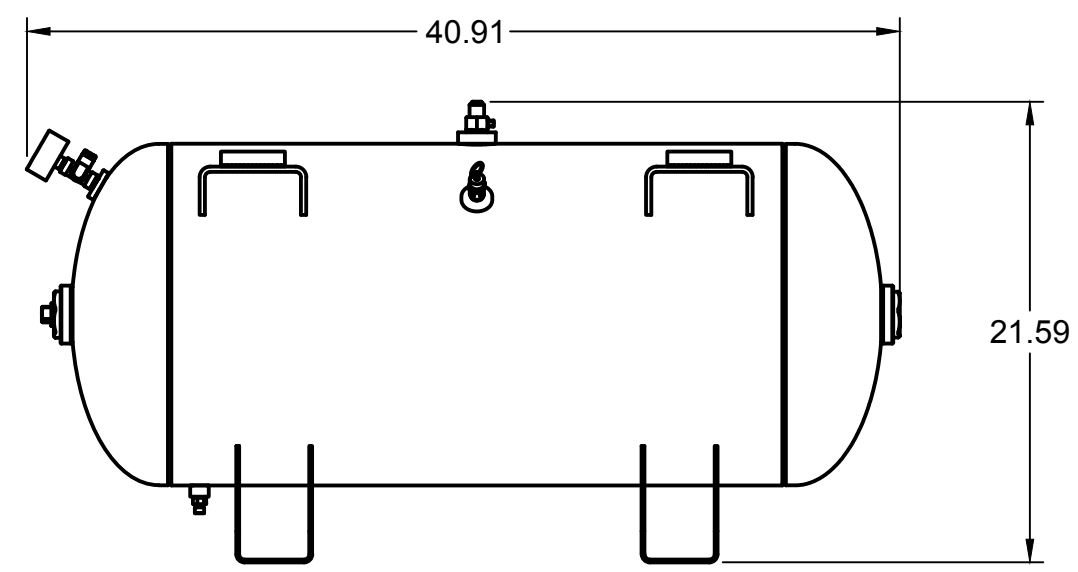
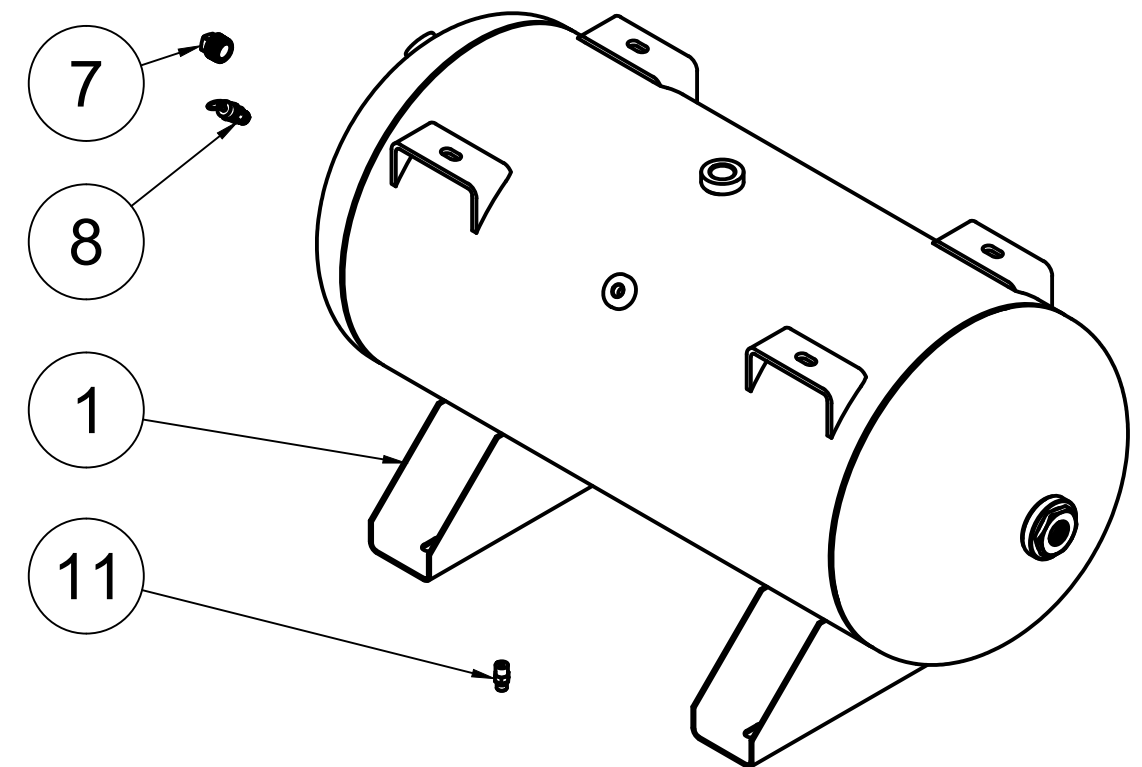


TOP VIEW

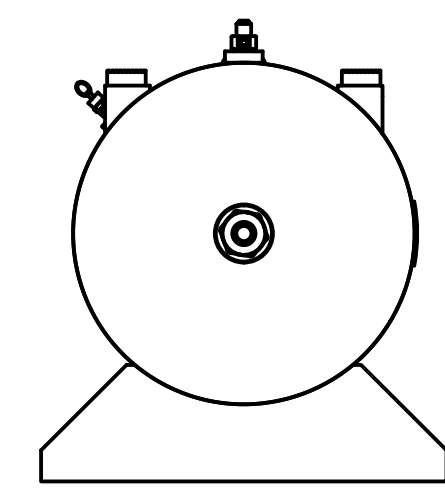


C

C



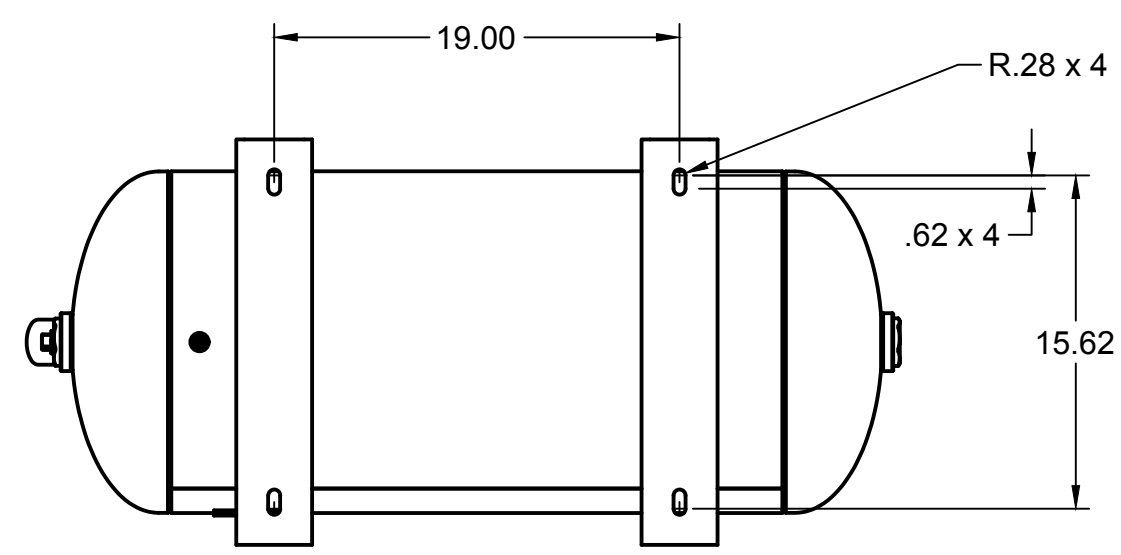
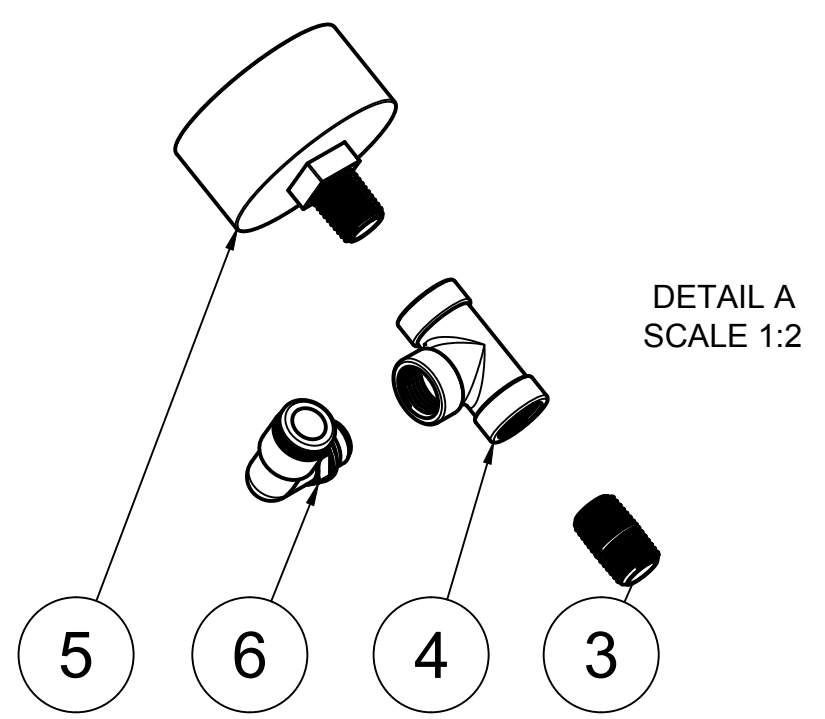
FRONT VIEW



SIDE VIEW

B

B



BOTTOM VIEW

A

A

PARTS LIST

ITEM	QTY	PART NUMBER	DESCRIPTION
1	1	IAT-30HNTP-BKWR	30 GALLON TANK
2	4	IAT-3X1.8X.7D	RUBBER PAD FOR TOP PLATES
3	1	IAT-PF1/4"CL	1/4" CLOSE NIPPLE GALV
4	1	IAT-PF1/4" T BLACK	1/4" T GALV
5	1	IAT-PSB20	AIR GAUGE BACK MT 1/4
6	1	IAT-BPC-2501-06-04	1/4 P X 3/8 COMP PUSH LOK 90

PARTS LIST

ITEM	QTY	PART NUMBER	DESCRIPTION
7	1	IAT-PF3/4PLUG	3/4" PLUG
8	1	IAT-ST25-200	SAFETY VALVE 200 PSI
9	1	IAT-CTJ1234	JIC CHECK VALVE
10	1	IAT-109-2	1/8 BRASS PLUG
11	1	IAT-BDC604-04	1/4 PIPE DRAIN COCK

4

3

2

1

