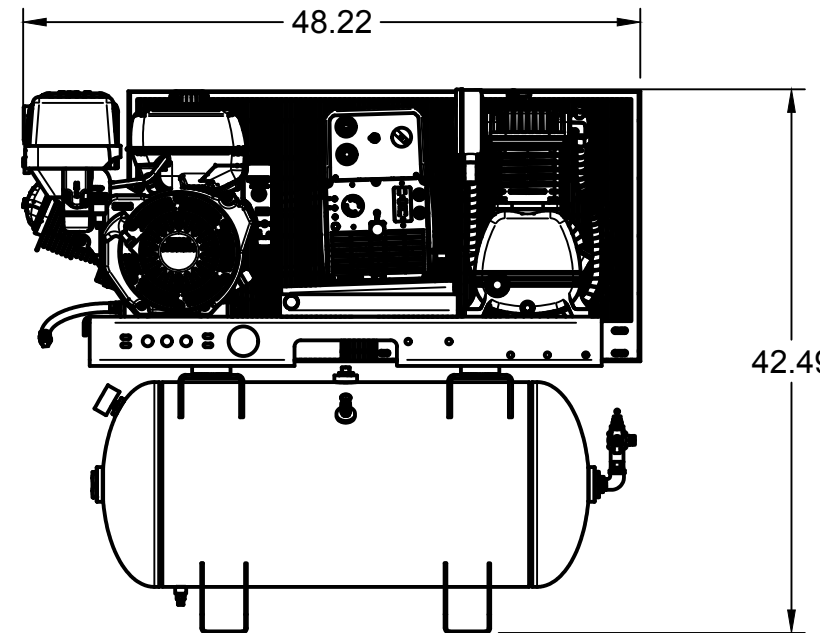
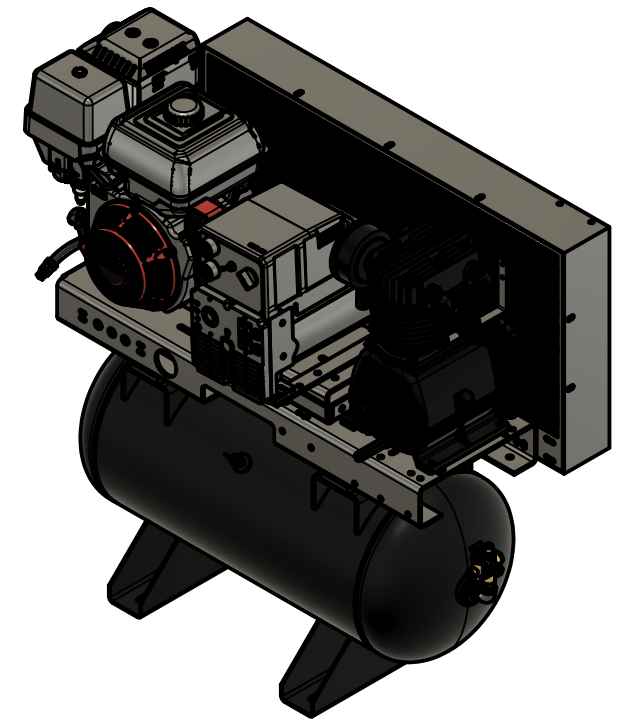
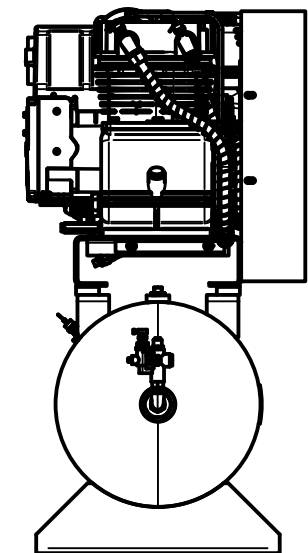


TOP VIEW



FRONT VIEW



SIDE VIEW

PARTS LIST

ITEM	QTY	PART NUMBER	DESCRIPTION
1	1	IAT-C133-GW	13HP HONDA BASIC SKID LH4
2	1	IAT-T30HGW-LH	30 GAL HORIZ GAS BASIC GWD LH

TANK DISCHARGE
OUTLET SIZE: 3/4"

4

3

2

1

D

D

C

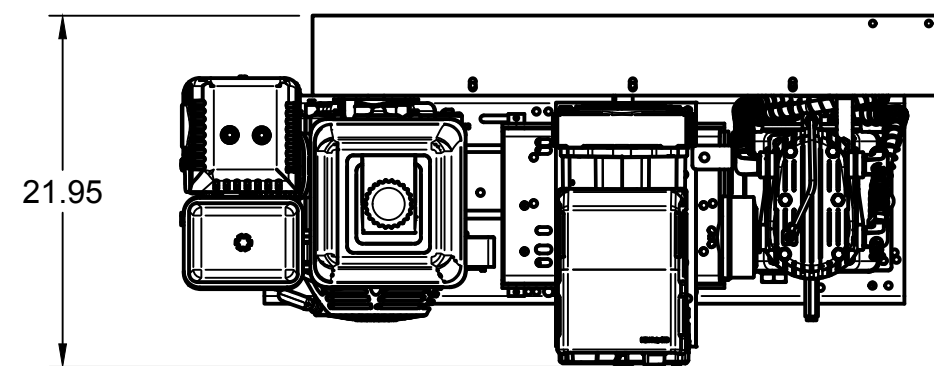
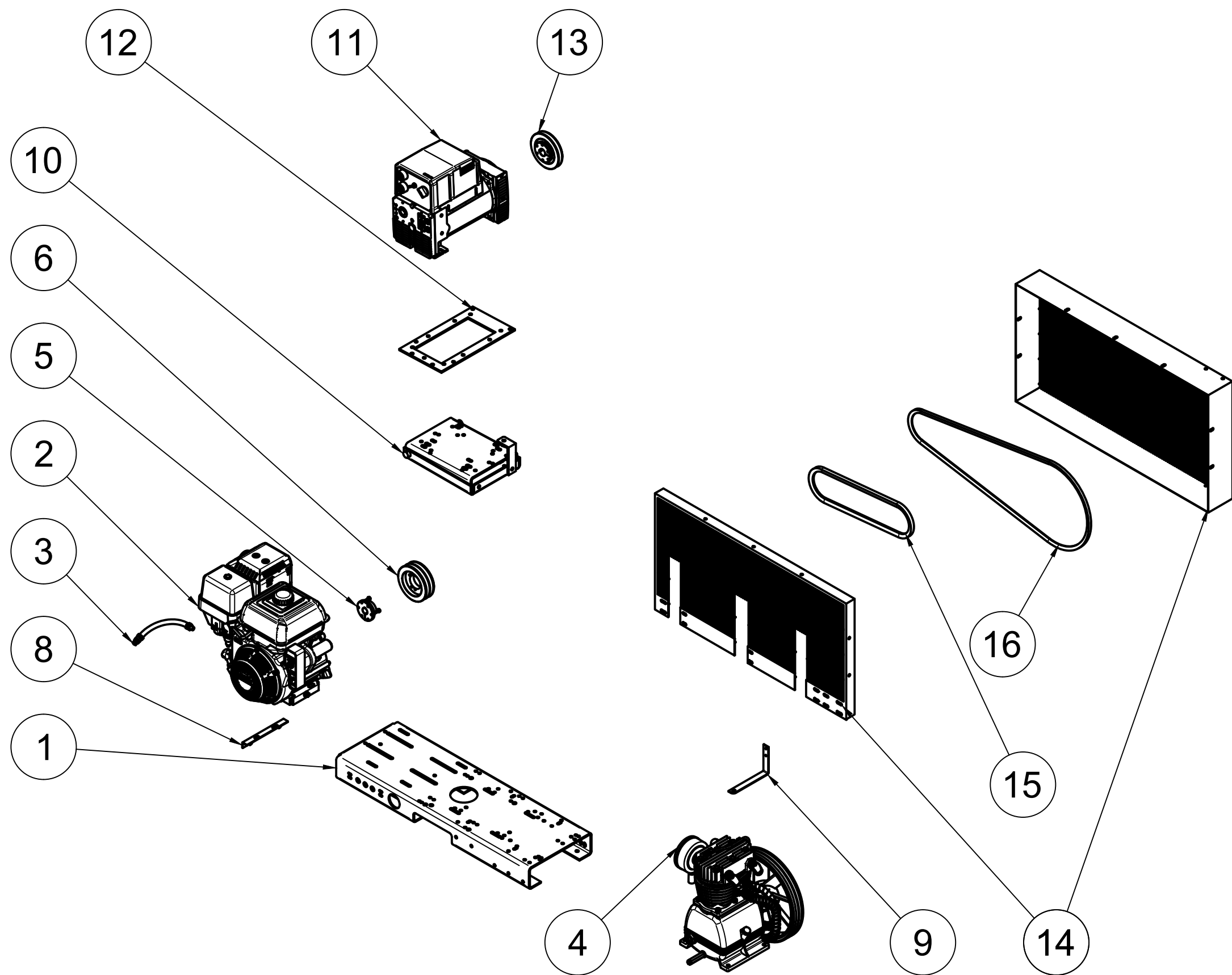
C

B

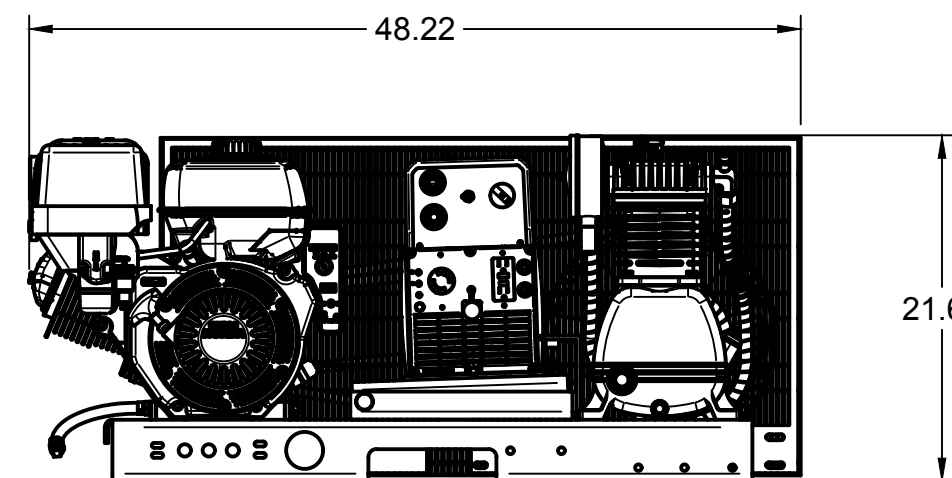
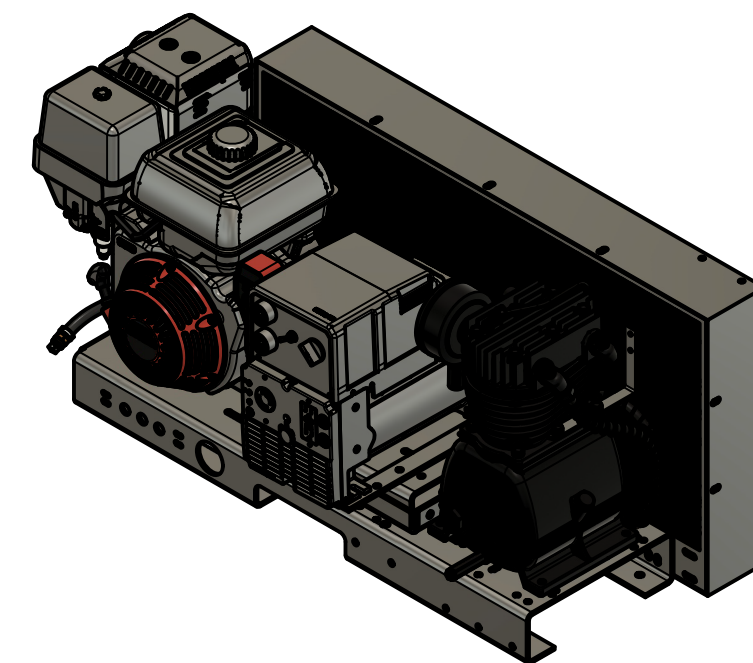
B

A

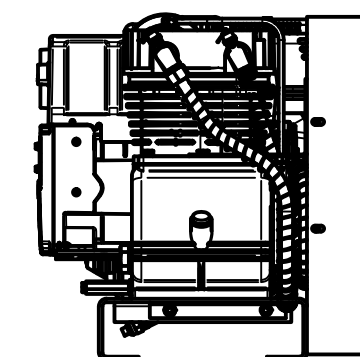
A



TOP VIEW



FRONT VIEW



SIDE VIEW

PARTS LIST

ITEM	QTY	PART NUMBER	DESCRIPTION
1	1	IAT-TP40BKWR (CURRENT)	40IN TOP PLATE
2	1	IAT-GX390K1QAE2	13HP ELE. START HONDA
3	1	IAT-OIL-DRAIN	OIL DRAIN
4	1	IAT-LH4TB	5 HP BARE PUMP TWO STAGE
5	1	IAT-LPH1HUB	1"H HUB
6	1	H-2B54-S-1	PULLEY
7	1	IAT-TCSP-H-5565-B	5.5 HP HONDA THROTTLE CONTRO
8	1	IAT-MOTOR-ADJST BRKT	MOTOR ADJUSTMENT BRACKET

PARTS LIST

ITEM	QTY	PART NUMBER	DESCRIPTION
9	1	IAT-1/8X1X12	STRAP BELT GUARD
10	1	IAT-184-215TMP	184-215T MOTOR PLATE
11	1	IAT-EW240MDC	240 AMP WELDER GENERATOR
12	1	IAT-GENWELDBRACKET-V3	NEWER GEN WELD BRACKET
13	1	IAT-BK57H	PULLEY
14	1	IAT-40X21X5-V1	BELTGUARDGEN/WELD #3-04
15	1	IAT-BX43	COGGED B BELT 43
16	1	IAT-B82	BELT

4

3

2

1

4

3

2

1

D

D

C

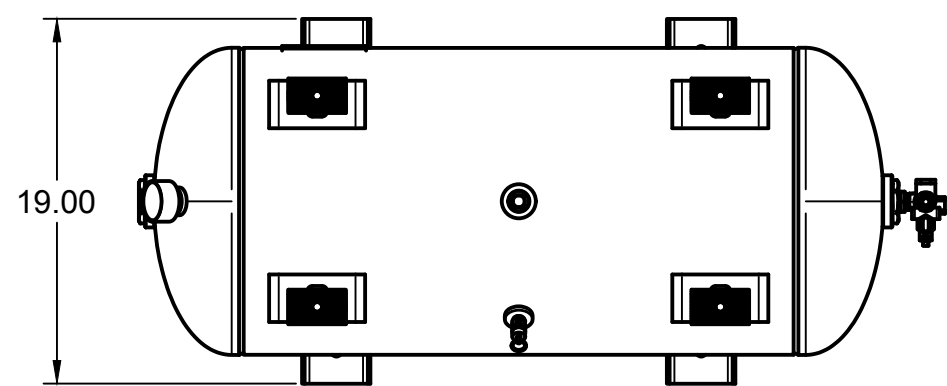
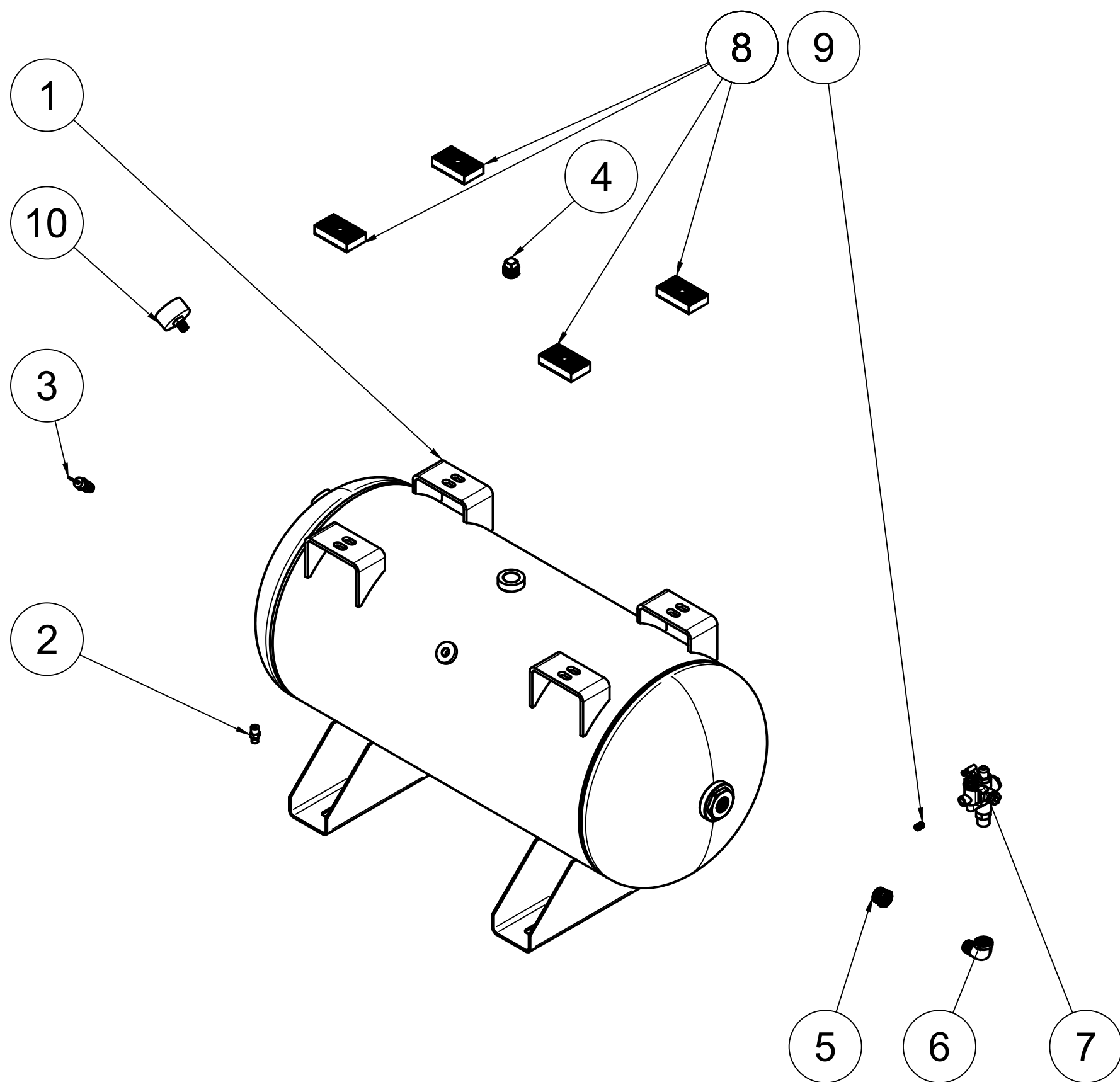
C

B

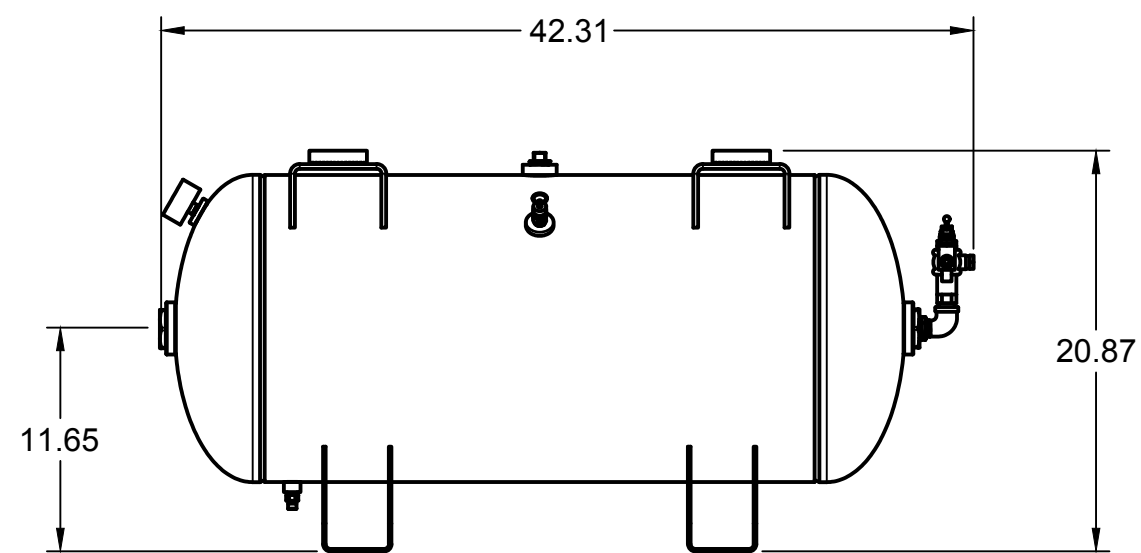
B

A

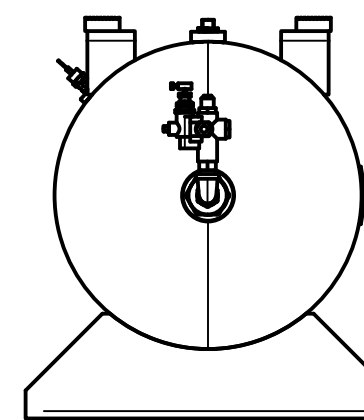
A



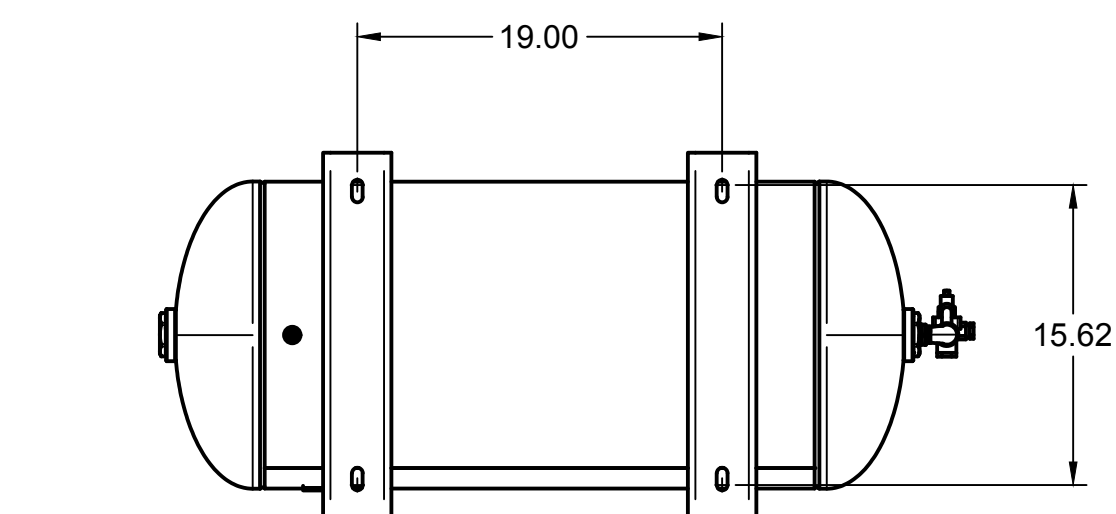
TOP VIEW



FRONT VIEW



SIDE VIEW



BOTTOM VIEW

PARTS LIST

PARTS LIST

ITEM	QTY	PART NUMBER	DESCRIPTION
1	1	IAT-30HNTP-BKWR-R4	30 GALLON TANK
2	1	IAT-BDC604-04	1/4 PIPE DRAIN COCK
3	1	IAT-ST25-200	SAFETY VALVE 200 PSI
4	1	IAT-PF3/4PLUG	3/4" PLUG
5	1	IAT-PF3/4X1/2REDUCE	3/4X1/2 REDUCER GALV

ITEM	QTY	PART NUMBER	DESCRIPTION
6	1	IAT-PF1/2X90STREET	1/2" STREET 90 DEG
7	1	IAT-NG-49-95-125	PILOT VALVE 95-125 1/2" JIC
8	4	IAT-3X1.8X.7D	RUBBER PAD FOR TOP PLATES
9	1	IAT-109-2	1/8 BRASS PLUG
10	1	IAT-PSB20	AIR GAUGE BACK MT 1/4

4

3

2

1