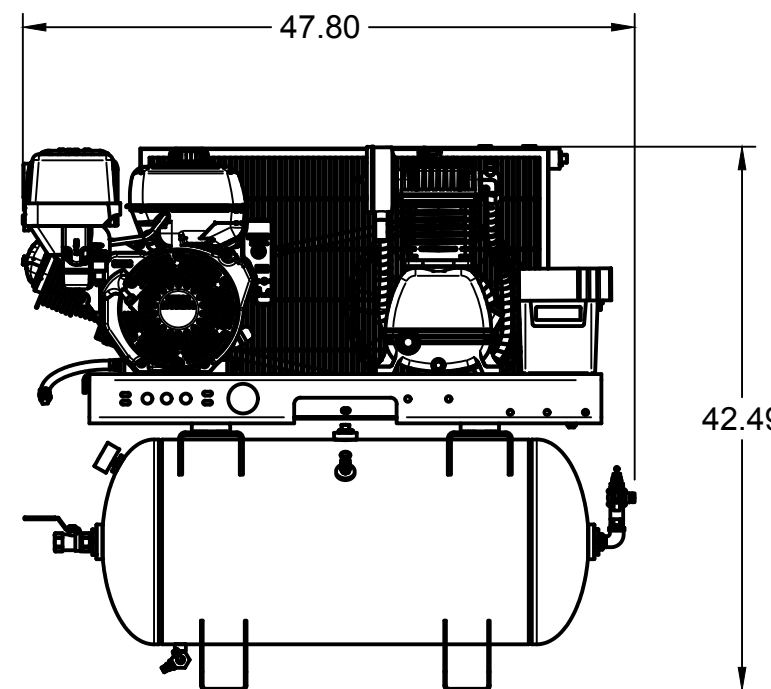
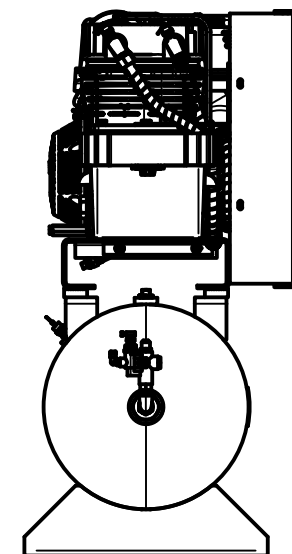
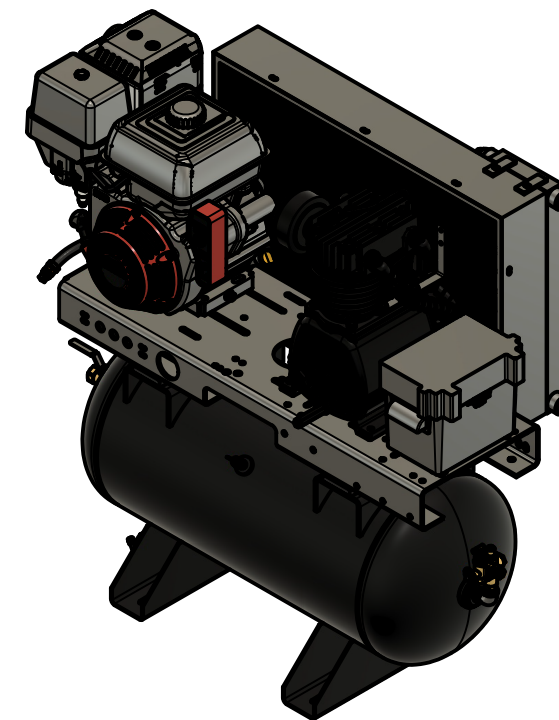


TOP VIEW



FRONT VIEW



SIDE VIEW

PARTS LIST

ITEM	QTY	PART NUMBER	DESCRIPTION
1	1	IAT-T30HGE-LH4	30 GALLON HORIZ GAS ELITE LH4
2	1	IAT-C133-E	13HP HONDA ELITE SKID LH4

TANK DISCHARGE
OUTLET SIZE: 3/4"

4

3

2

1

D

D

C

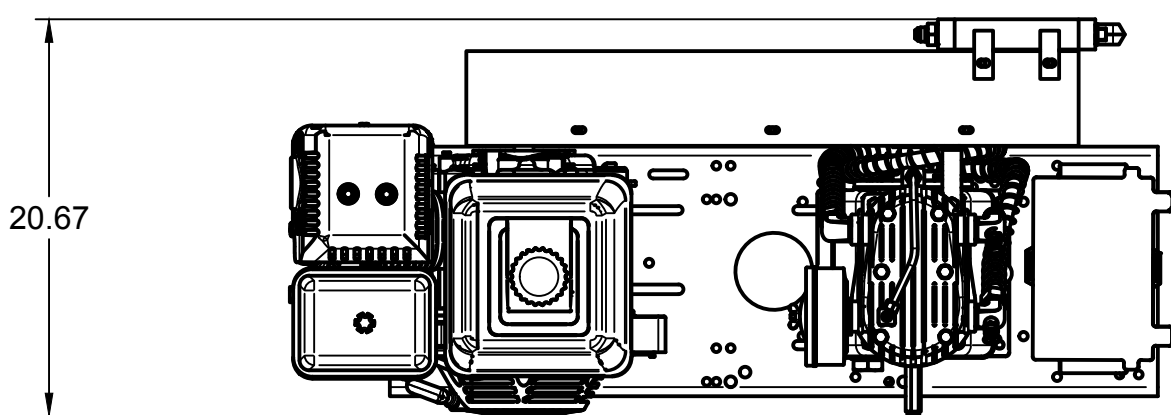
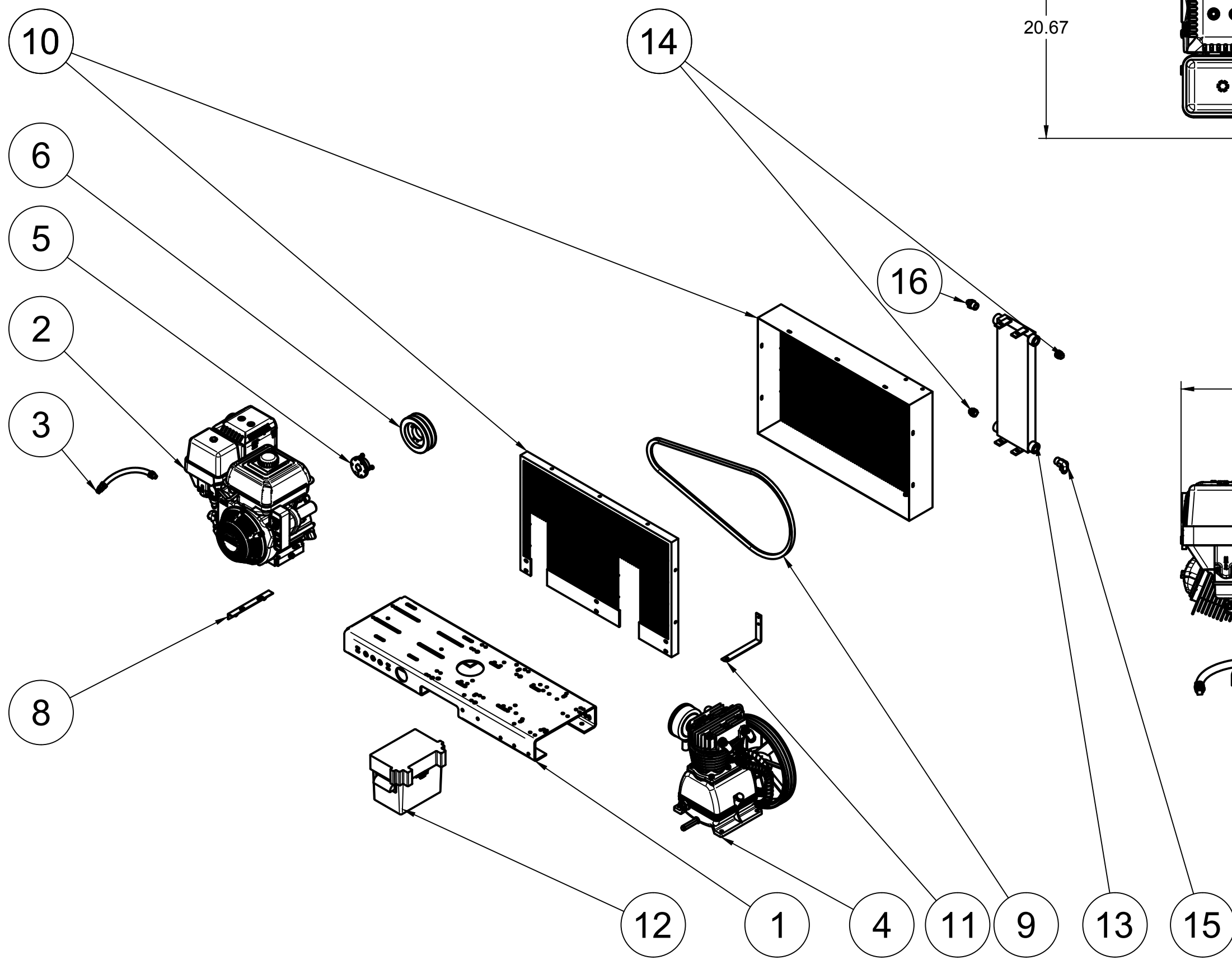
C

B

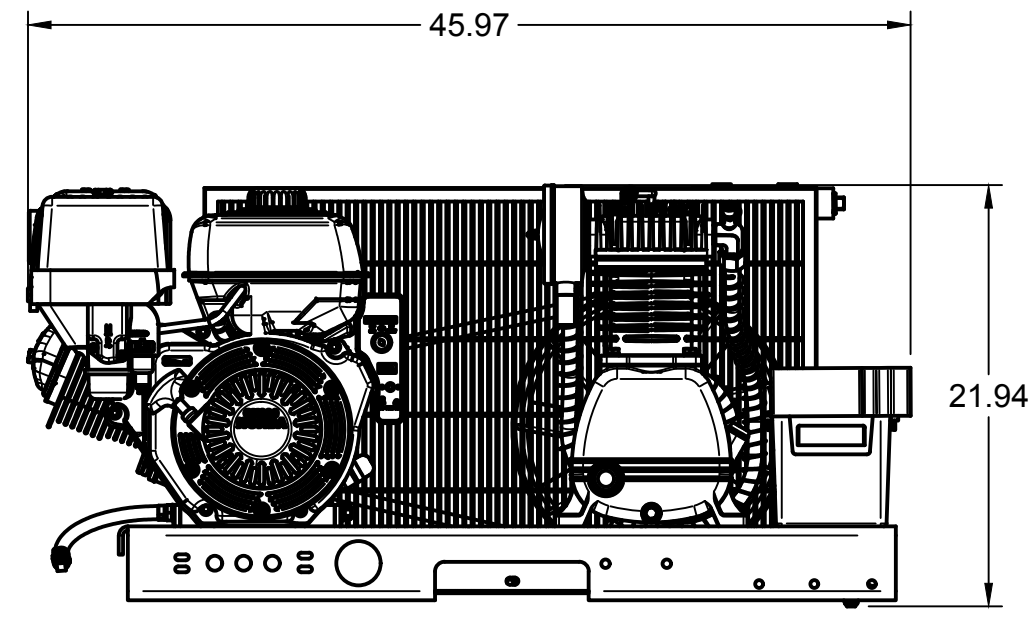
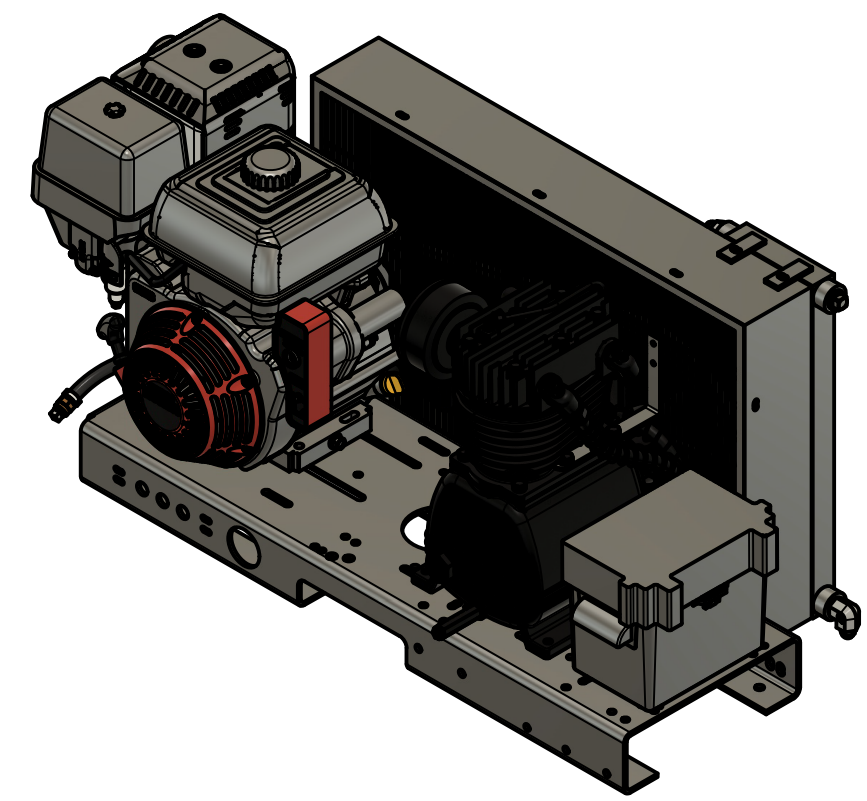
B

A

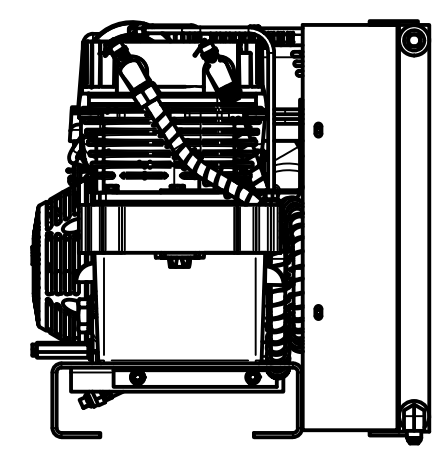
A



TOP VIEW



FRONT VIEW



SIDE VIEW

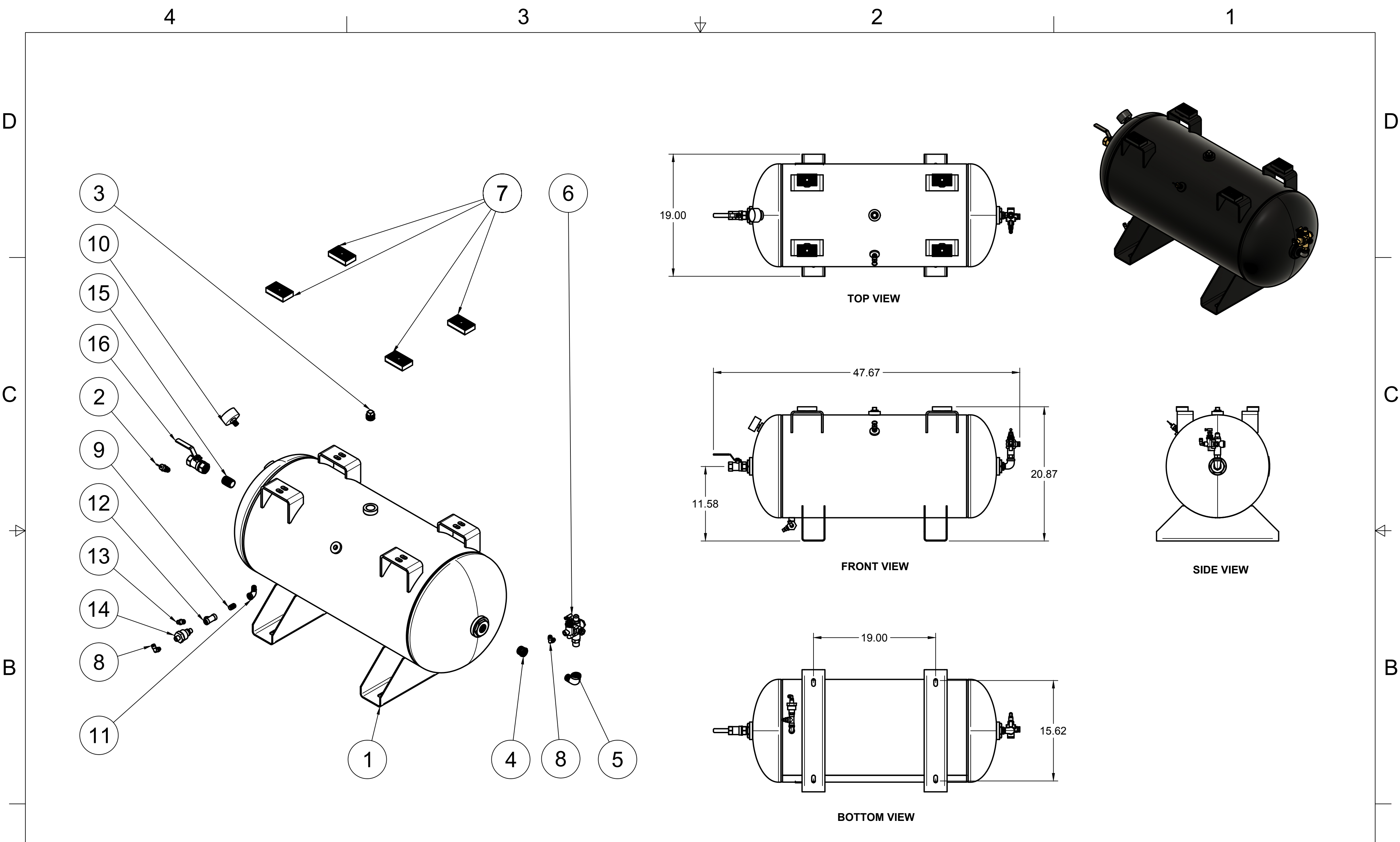
PARTS LIST				PARTS LIST			
ITEM	QTY	PART NUMBER	DESCRIPTION	ITEM	QTY	PART NUMBER	DESCRIPTION
1	1	IAT-TP40BKWR (CURRENT)	40IN TOP PLATE	9	1	IAT-B68	BELT
2	1	IAT-GX390K1QAE2	13HP ELE. START HONDA	10	1	IAT-BG5X18X32X10G-V2	BELT GUARD 11-15 HP GAS EU
3	1	IAT-OIL-DRAIN	OIL DRAIN	11	1	IAT-1/8X1X12	STRAP BELT GUARD
4	1	IAT-LH4TB	5 HP BARE PUMP TWO STAGE	12	1	IAT-BATTERY BOX SM	BATTERY BOX SMALL
5	1	IAT-LPH1HUB	1"H HUB	13	1	IAT-M-12-AL	BELT GUARD COOLER 48 CFM
6	1	H-2B54-S-1	PULLEY	14	2	IAT-PF3/4PLUG	3/4" PLUG
7	1	IAT-TCSP-H-5565-B	5.5 HP HONDA THROTTLE CONTRO	15	1	IAT-2501-08-12-O	3/4 MP X 1/2 M JIC 90 DEG R IN
8	1	IAT-MOTOR-ADJST BRKT	MOTOR ADJUSTMENT BRACKET	16	1	IAT-2404-08-12-O	3/4MP X 1/2 M JIC STRAIGHT OR

4

3

2

1



PARTS LIST				PARTS LIST			
ITEM	QTY	PART NUMBER	DESCRIPTION	ITEM	QTY	PART NUMBER	DESCRIPTION
1	1	IAT-30HNTP-BKWR-R4	30 GALLON TANK	9	1	IAT-PF1/4"CL	1/4" CLOSE NIPPLE GALV
2	1	IAT-ST25-200	SAFETY VALVE 200 PSI	10	1	IAT-PSB20	AIR GAUGE BACK MT 1/4
3	1	IAT-PF3/4PLUG	3/4" PLUG	11	1	IAT-PF1/4" STR 90 B	1/4" STREET 90 GALV
4	1	IAT-PF3/4X1/2REDUCE	3/4X1/2 REDUCER GALV	12	1	IAT-PF1/4" T BLACK	1/4" T GALV
5	1	IAT-PF1/2X90STREET	1/2" STREET 90 DEG	13	1	IAT-BDC604-04	1/4 PIPE DRAIN COCK
6	1	IAT-NG-49-95-125	PILOT VALVE 95-125 1/2" JIC	14	1	IAT-WV-1	AIR OPERATED AUTO TANK DRAIN
7	4	IAT-3X1.8X.7D	RUBBER PAD FOR TOP PLATES	15	1	IAT-PF3/4"CL	3/4" CLOSE NIPPLE BL
8	2	IAT-BPC-2501-04-02	1/8 P X 1/4 COMP PUSH LOK 90	16	1	IAT-716116	BALL VALVE 3/4

A

A