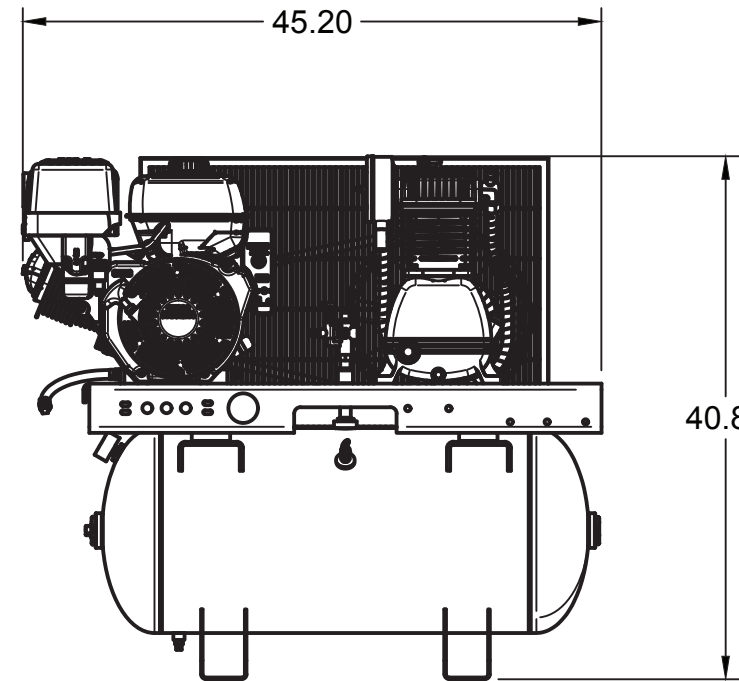
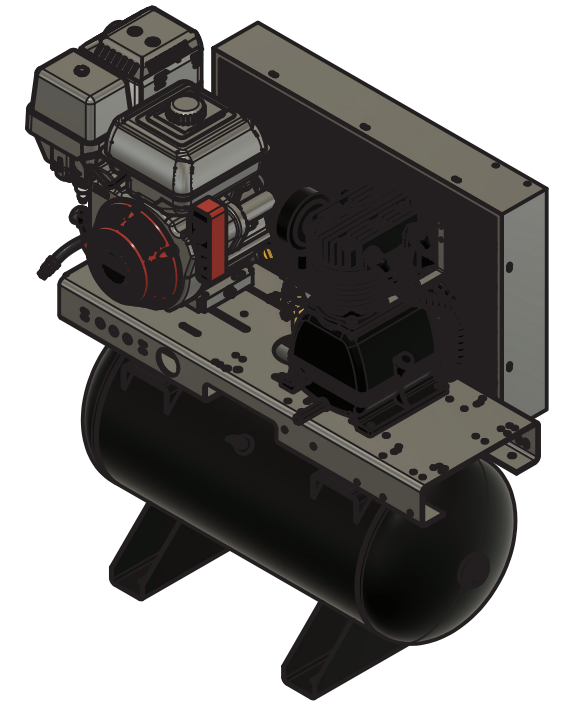
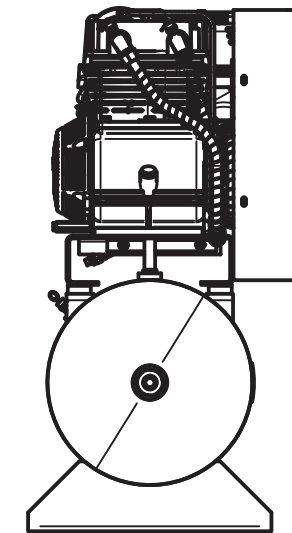


TOP VIEW



FRONT VIEW



SIDE VIEW

PARTS LIST

ITEM	QTY	PART NUMBER	DESCRIPTION
1	1	IAT-T30HG-LH4	30 GALLON HORIZ GAS BASIC
2	1	IAT-C133	13HP HONDA BASIC SKID LH4

TANK DISCHARGE  
OUTLET SIZE: 3/4"

4

3

2

1

D

D

C

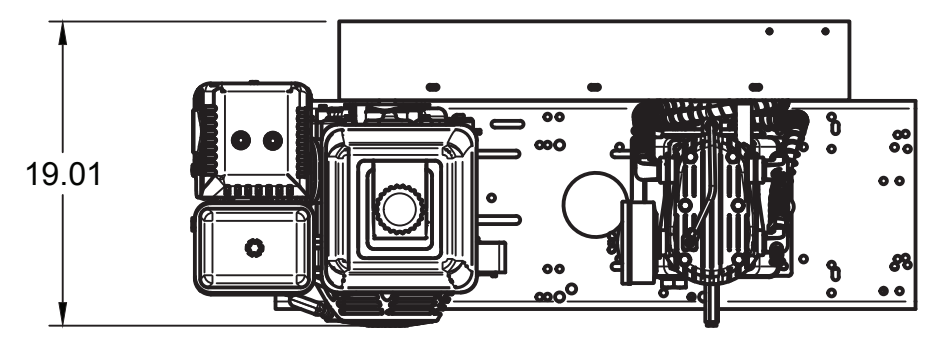
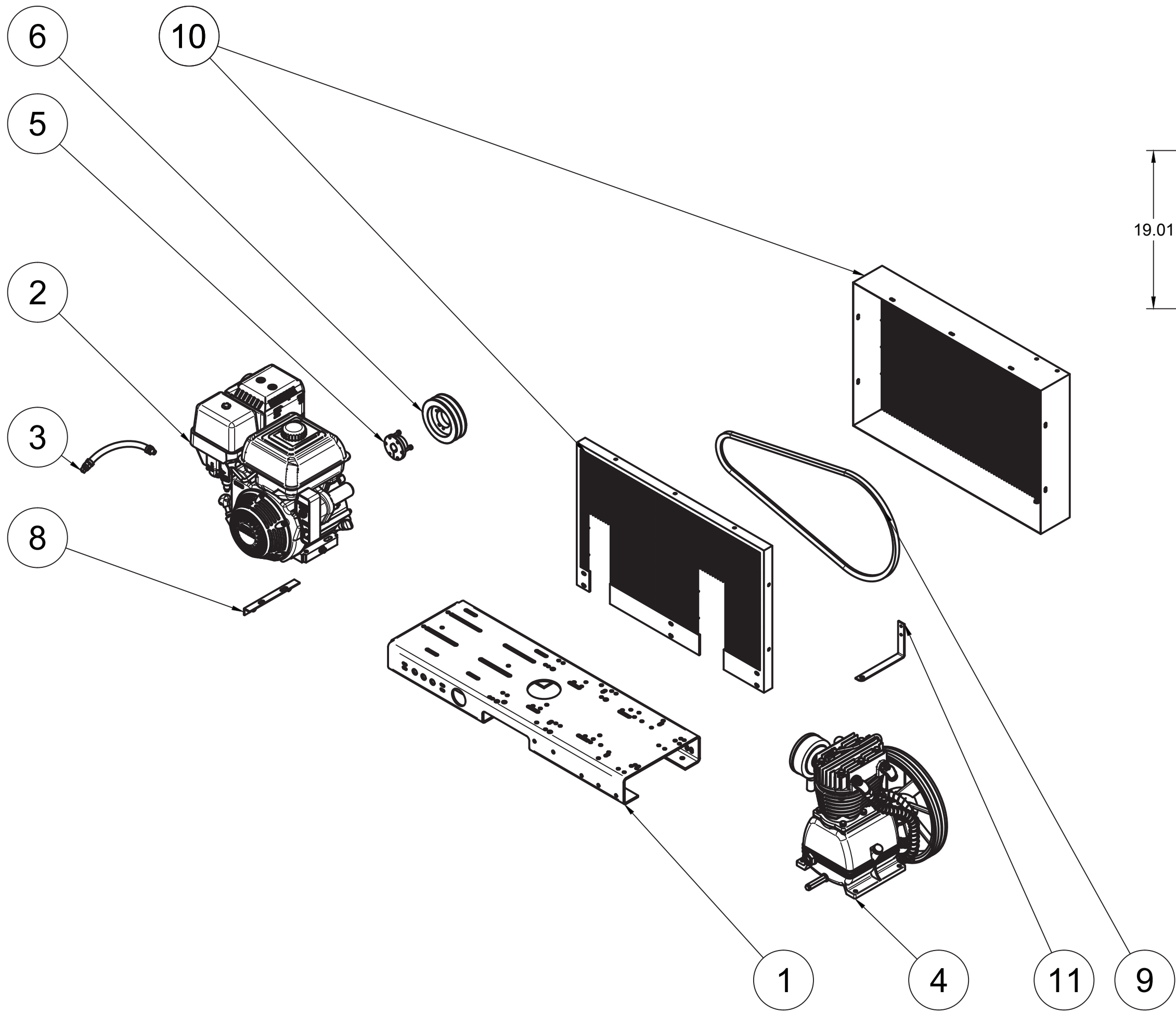
C

B

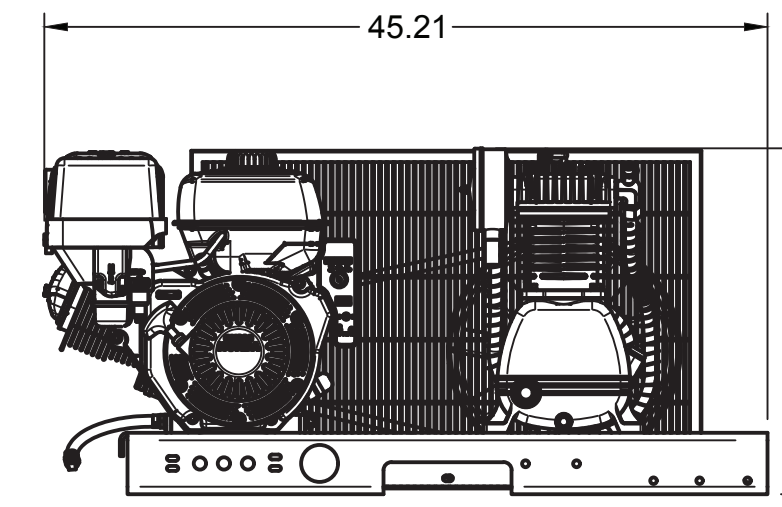
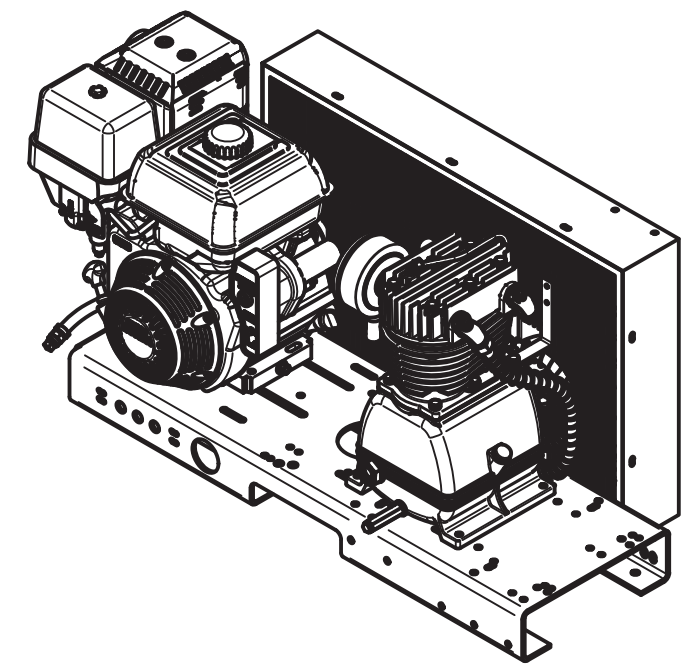
B

A

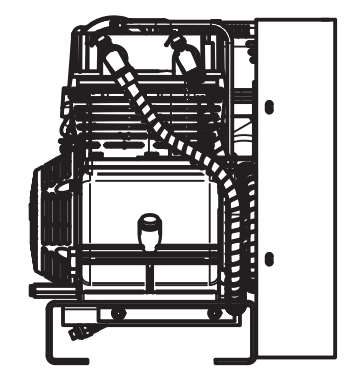
A



TOP VIEW



FRONT VIEW



SIDE VIEW

PARTS LIST

ITEM	QTY	PART NUMBER	DESCRIPTION
1	1	IAT-TP40BKWR (CURRENT)	40IN TOP PLATE
2	1	IAT-GX390K1QAE2	13HP ELE. START HONDA
3	1	IAT-OIL-DRAIN	OIL DRAIN
4	1	IAT-LH4TB	5 HP BARE PUMP TWO STAGE
5	1	IAT-LPH1HUB	1"H HUB
6	1	H-2B54-S-1	PULLEY

PARTS LIST

ITEM	QTY	PART NUMBER	DESCRIPTION
7	1	IAT-TCSP-H-5565-B	5.5 HP HONDA THROTTLE CONTRO
8	1	IAT-MOTOR-ADJST BRKT	MOTOR ADJUSTMENT BRACKET
9	1	IAT-B68	BELT
10	1	IAT-BG5X18X32X10G-V2	BELT GUARD 11-15 HP GAS EU
11	1	IAT-1/8X1X12	STRAP BELT GUARD

4

3

2

1

4

3

2

1

D

D

C

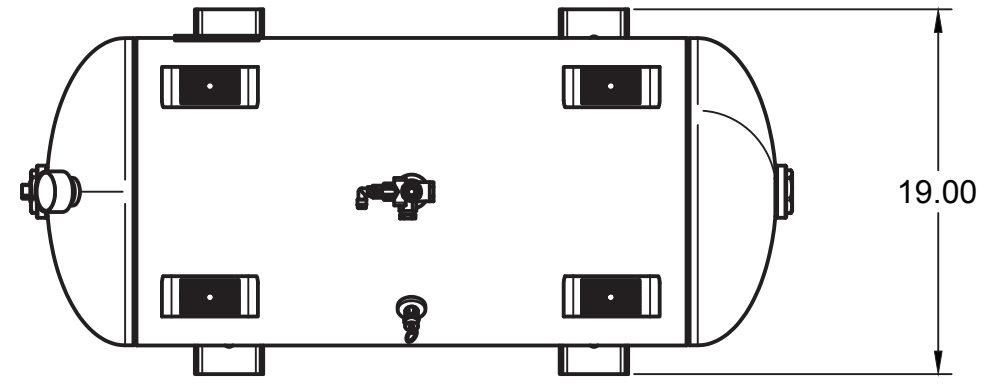
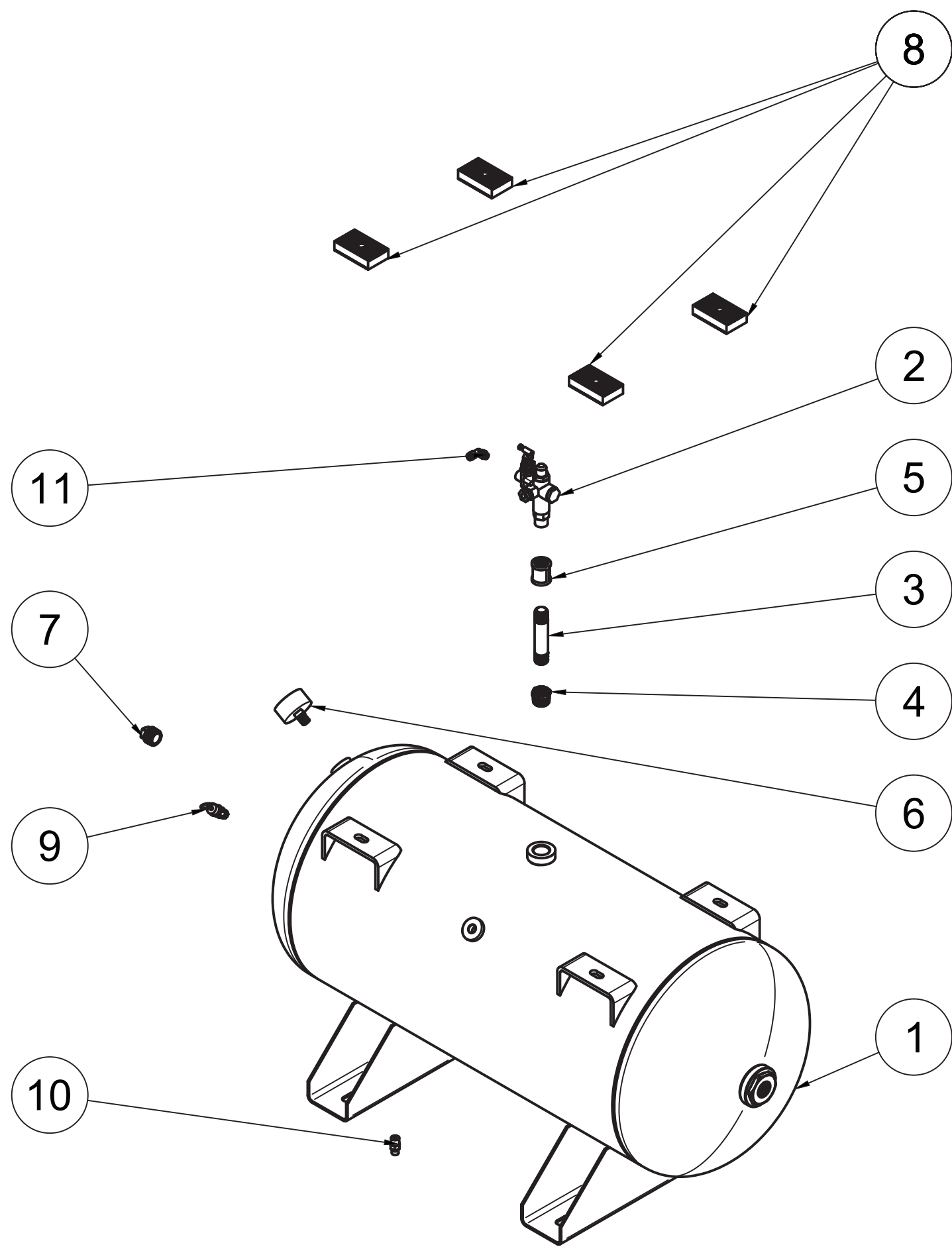
C

B

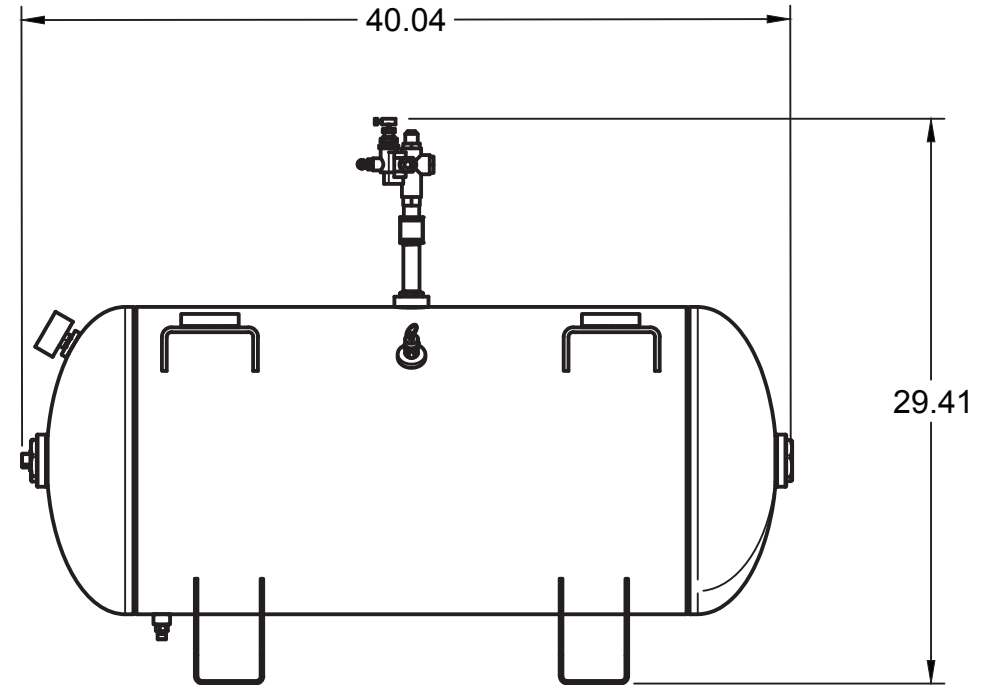
B

A

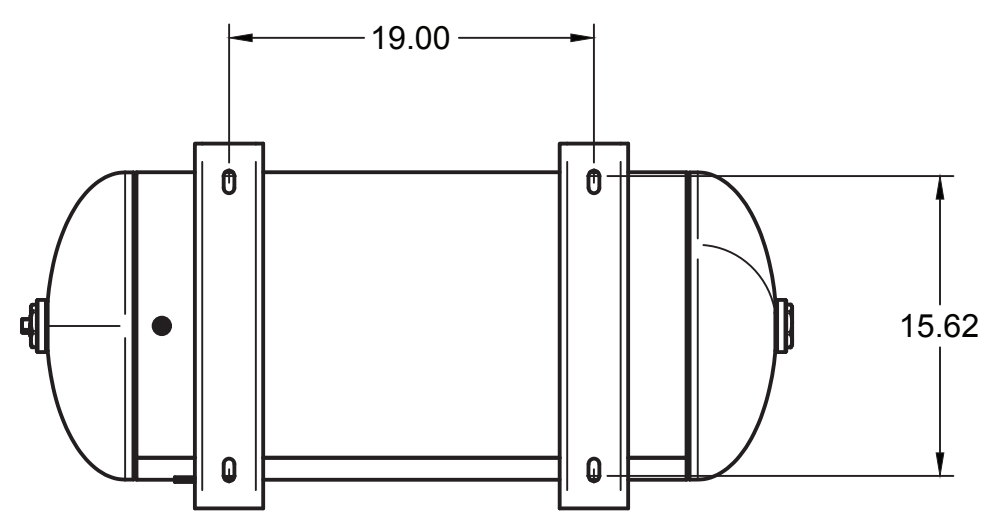
A



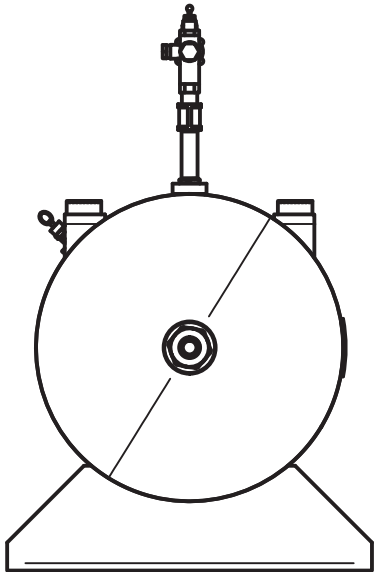
TOP VIEW



FRONT VIEW



BOTTOM VIEW



SIDE VIEW

PARTS LIST

ITEM	QTY	PART NUMBER	DESCRIPTION
1	1	IAT-30HNTP-BKWR	30 GALLON TANK
2	1	IAT-NG-49-95-125	PILOT VALVE 95-125 1/2" JIC
3	1	IAT-PF1/2X4NIP	1/2X4NIPPLE
4	1	IAT-PF3/4X1/2REDUCE	3/4X1/2 REDUCER GALV
5	1	IAT-PF1/2COUPLER	1/2" COUPLER GALV
6	1	IAT-PSB20	AIR GAUGE BACK MT 1/4
7	1	IAT-PF3/4PLUG	3/4" PLUG
8	4	IAT-3X1.8X.7D	RUBBER PAD FOR TOP PLATES
9	1	IAT-ST25-200	SAFETY VALVE 200 PSI
10	1	IAT-BDC604-04	1/4 PIPE DRAIN COCK
11	1	IAT-BPC-2501-04-02	1/8 P X 1/4 COMP PUSH LOK 90

4

3

2

1