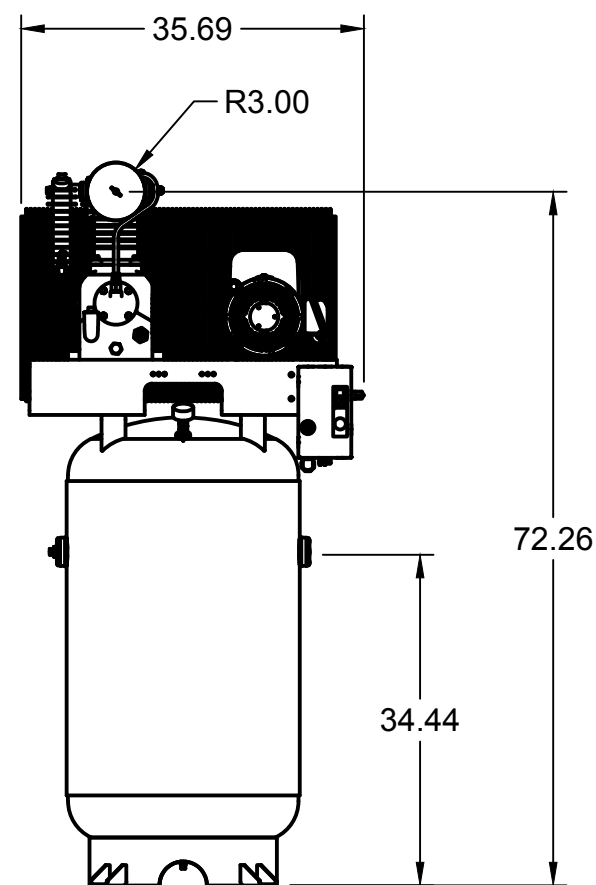
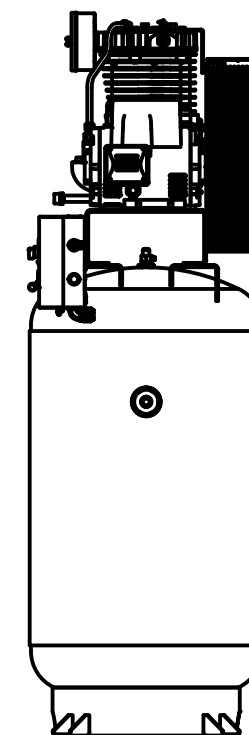
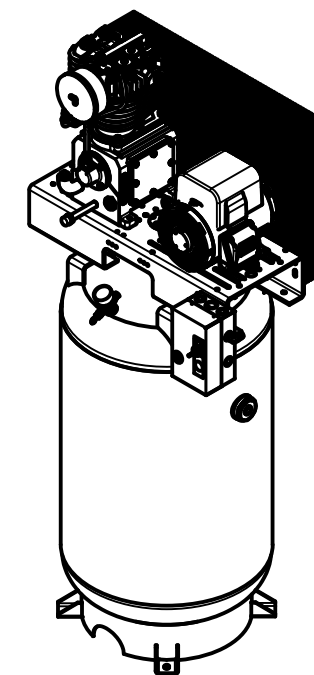


TOP VIEW



FRONT VIEW



TANK DISCHARGE
OUTLET SIZE: 3/4"

PARTS LIST

ITEM	QTY	PART NUMBER	DESCRIPTION
1	1	IAT-B514	5HP 1 PHASE SKID
2	1	IAT-T80VB4	80 GALLON VERTICAL TANK BASIC
3	1	IAT-RCP-5-230-1	5 HP 1 PH 208-230V WEG STARTER

4

3

2

1

D

D

C

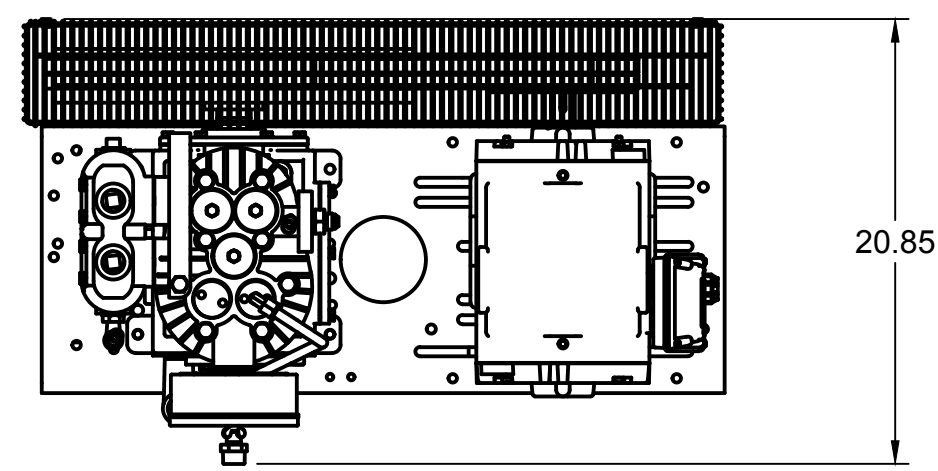
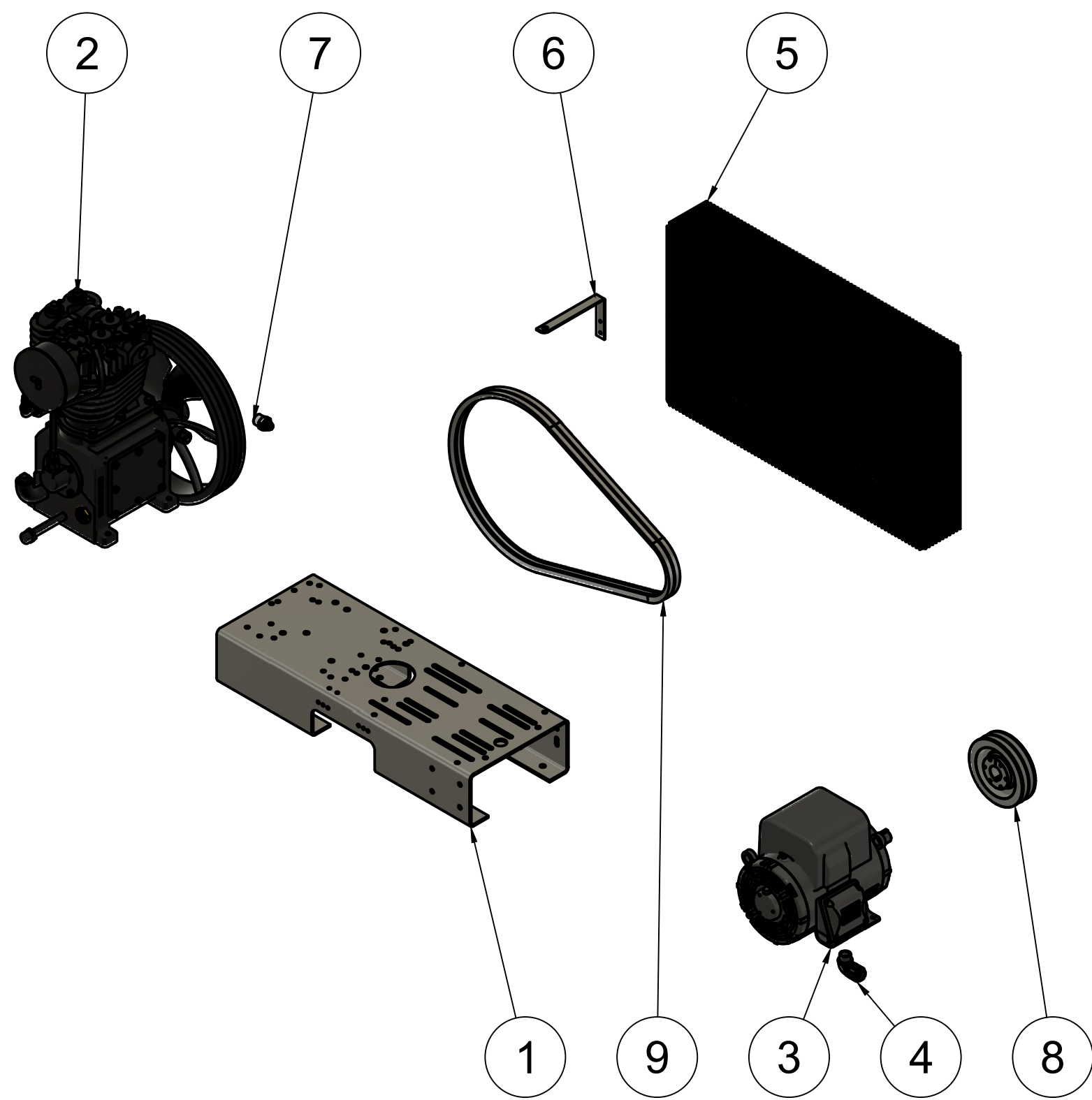
C

B

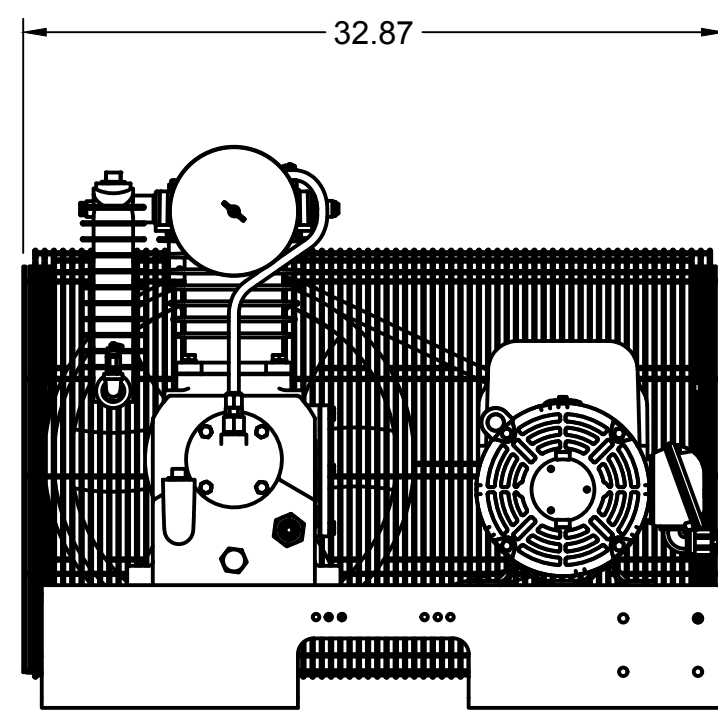
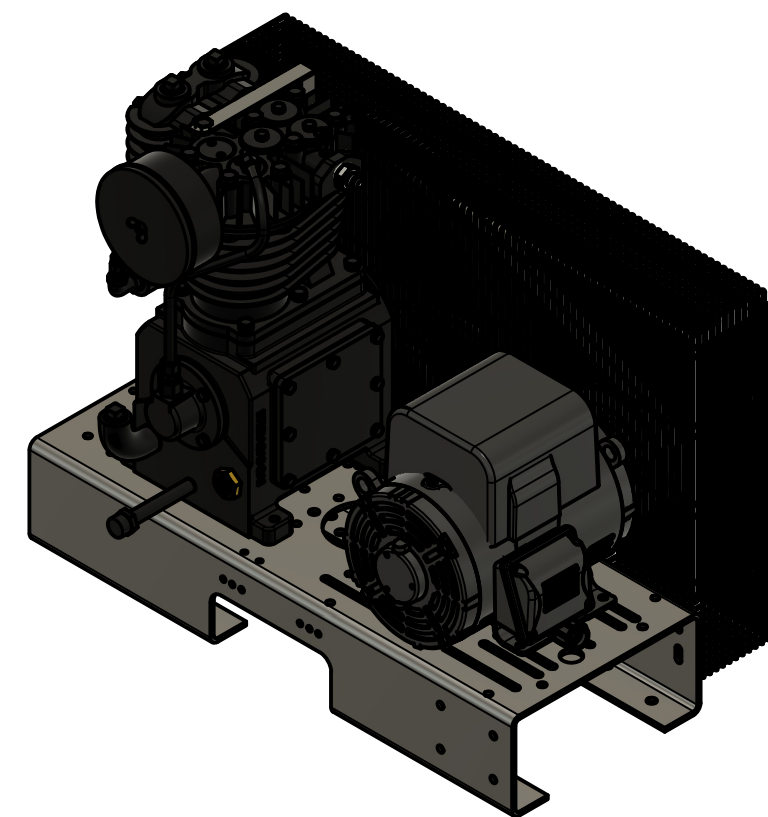
B

A

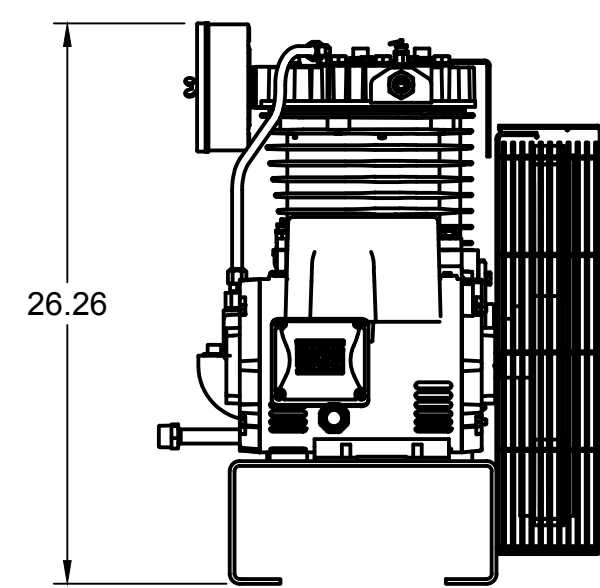
A



TOP VIEW



FRONT VIEW



RIGHT VIEW

PARTS LIST

ITEM	QTY	PART NUMBER	DESCRIPTION
1	1	IAT-TP32BKWR (CURRENT)	32IN TOP PLATE
2	1	IAT-CA1-B	5-7.5HP PUMP W CENTRIFUGAL UN
3	1	IAT-EM-5-1-17O	5HP 1 PHASE 1750 MOTOR
4	1	IAT-4972NM	3/4X3/4 90 CONN FOR 10 SEOPRE

PARTS LIST

ITEM	QTY	PART NUMBER	DESCRIPTION
5	1	IAT-BG5X20X32EU	BELT GUARD 5HP ELEC. #2EU
6	1	IAT-1/8X1X12	STRAP BELT GUARD
7	1	IAT-2404-08-12-O	3/4MP X 1/2 M JIC STRAIGHT OR
8	1	IAT-2BK80-1-1/8	2B 7.75 FIXED BORE 1-1/8
9	2	IAT-B68	V BELT

4

3

2

1

4

3

2

1

D

D

C

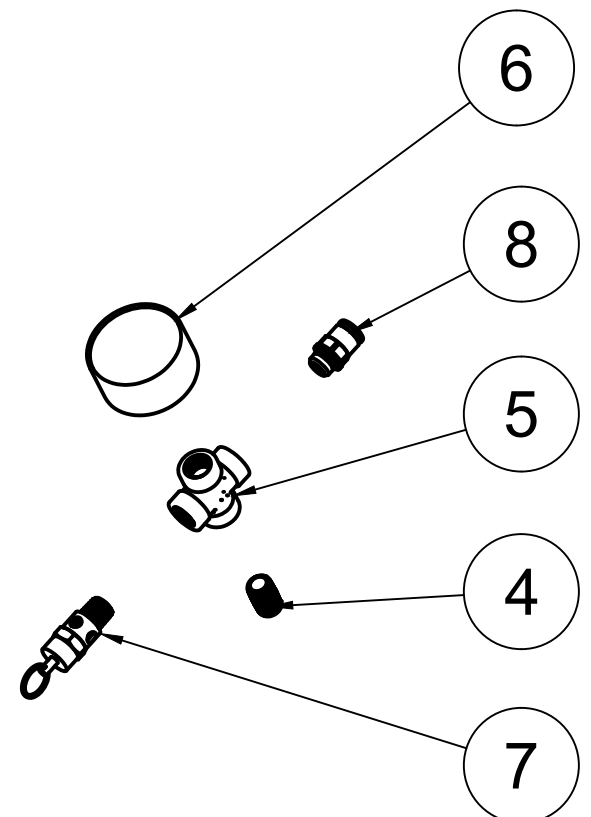
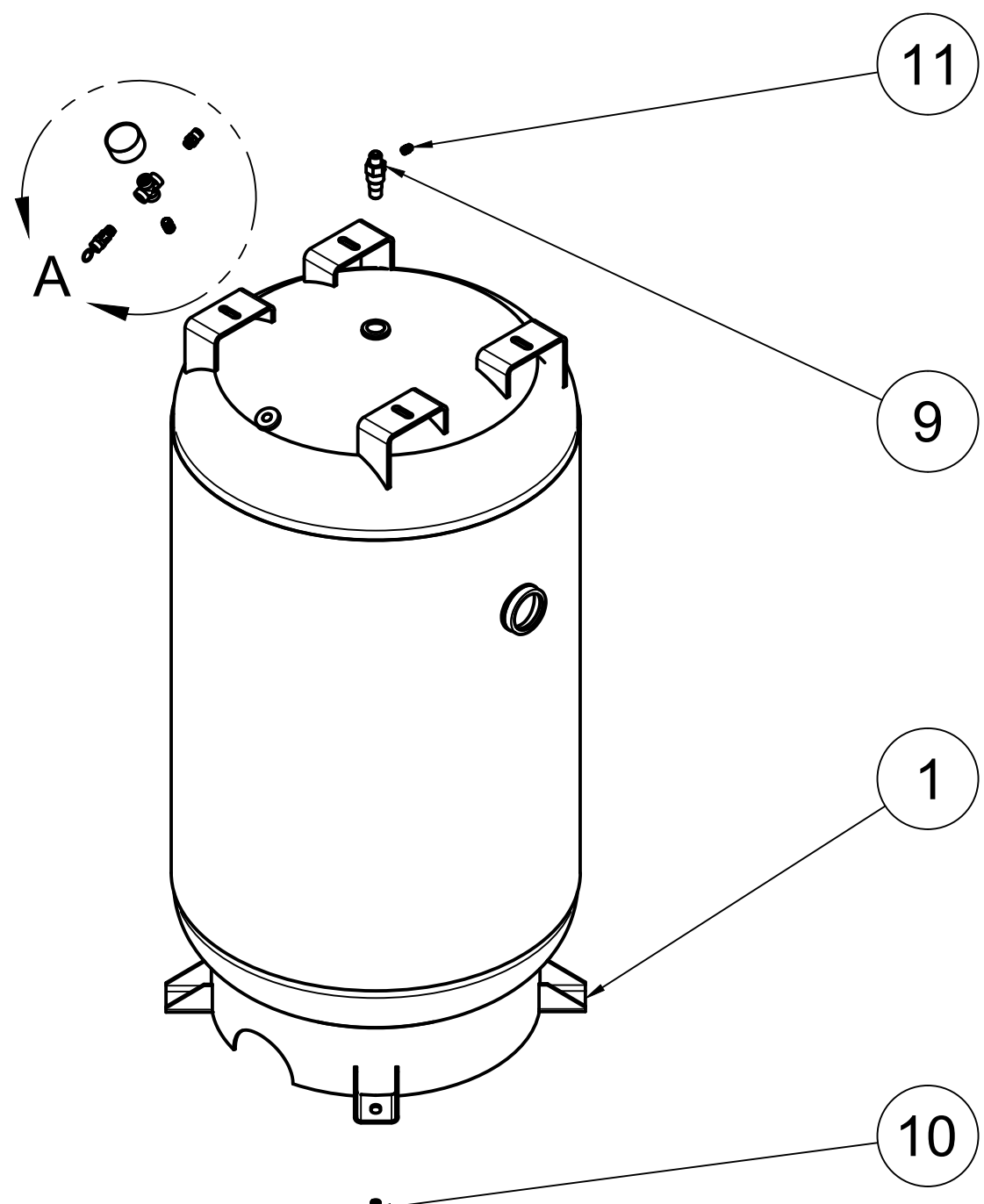
C

B

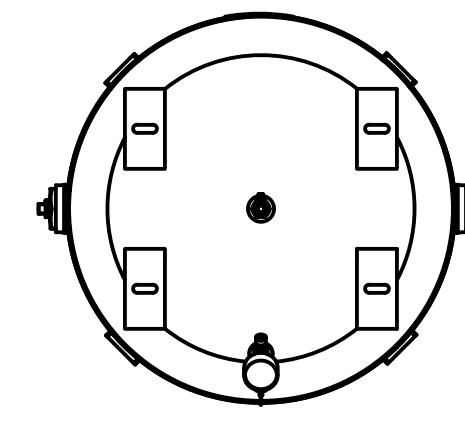
B

A

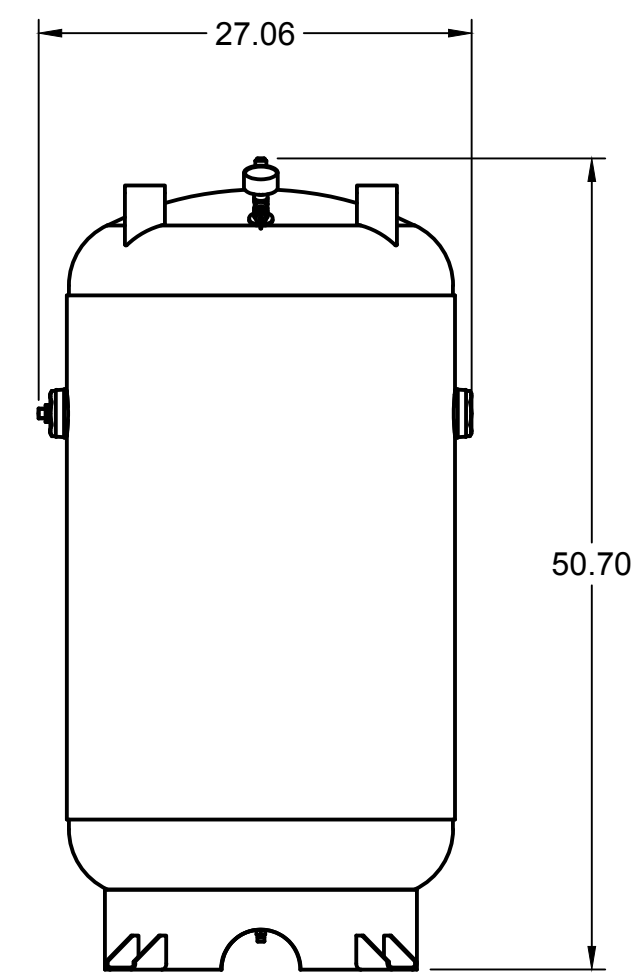
A



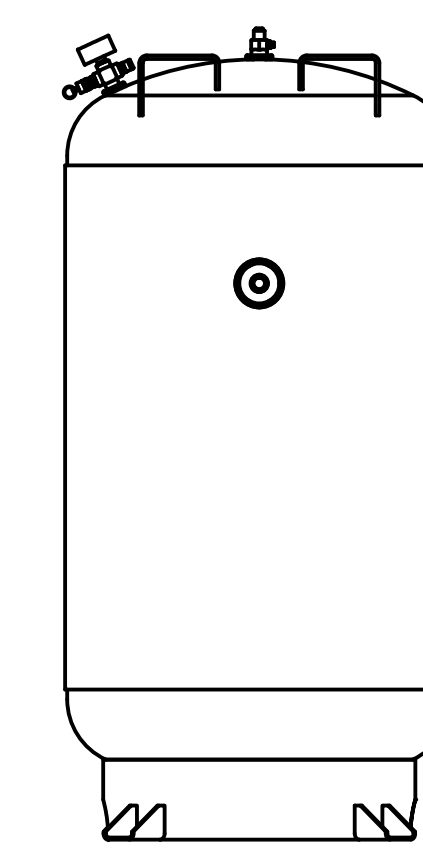
DETAIL A
SCALE 1:4



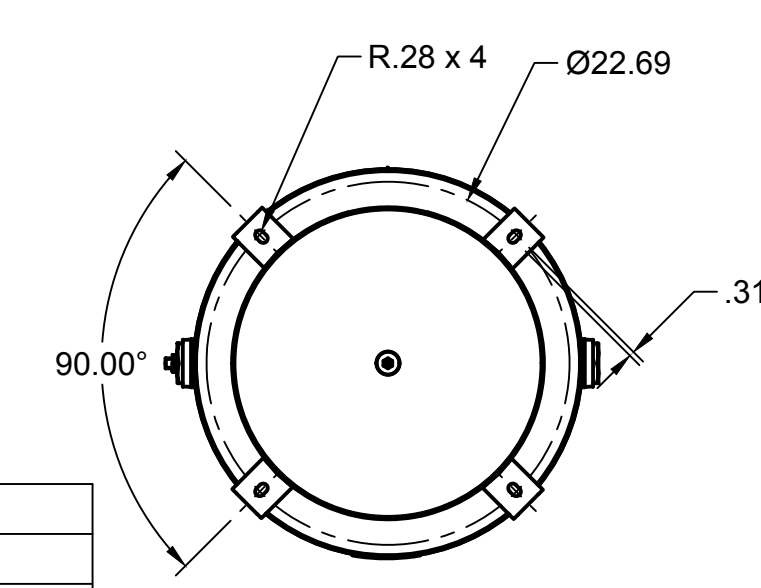
TOP VIEW



FRONT VIEW



SIDE VIEW



BOTTOM VIEW

PARTS LIST

ITEM	QTY	PART NUMBER	DESCRIPTION
1	1	IAT-80VNTPBKWR	80 GALLON BLACK TANK
3	1	IAT-PF3/4PLUG	3/4" PLUG
4	1	IAT-PF1/4"CL	1/4" CLOSE NIPPLE GALV
5	1	IAT-PF1/4CROSS	1/4" CROSS GAL
6	1	IAT-PSB20	AIR GAUGE BACK MT 1/4

PARTS LIST

ITEM	QTY	PART NUMBER	DESCRIPTION
7	1	IAT-ST25-200	SAFETY VALVE 200 PSI
8	1	IAT-BPC-2404-06-04	1/4 P X 3/8 COMP PUSH LOK ST
9	1	IAT-CTJ1234	JIC CHECK VALVE
10	1	IAT-BDC604-04	1/4 PIPE DRAIN COCK
11	1	IAT-109-2	1/8 BRASS PLUG

4

3

2

1