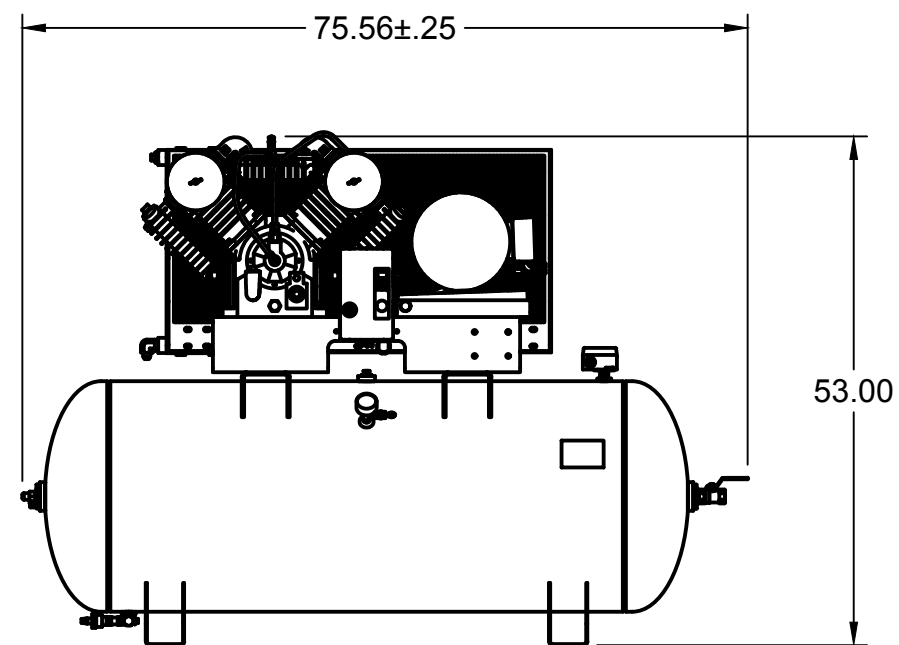
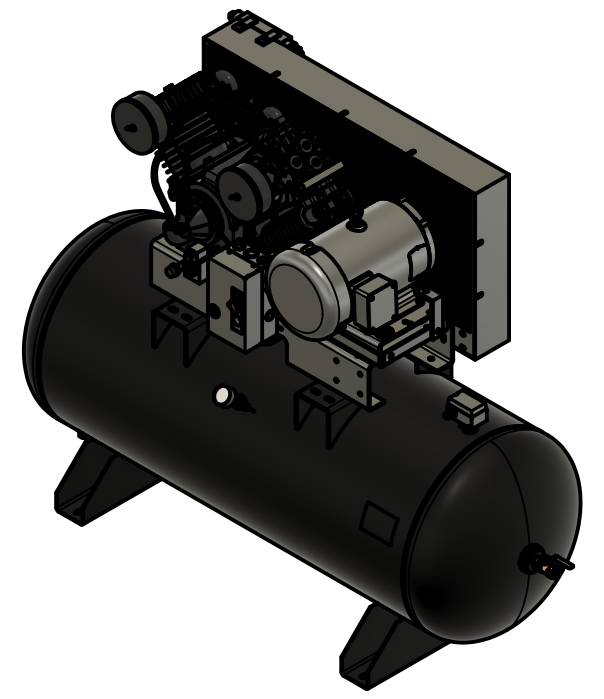
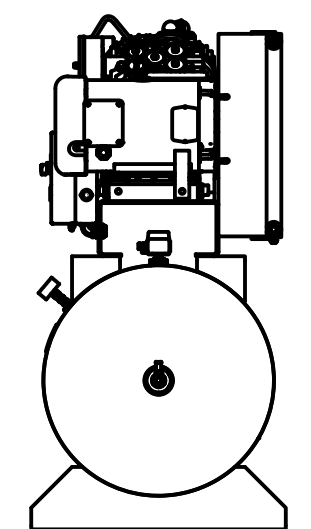


TOP VIEW



FRONT VIEW



SIDE VIEW

AIR DISCHARGE
OUTLET SIZE: 3/4"

PARTS LIST

ITEM	QTY	PART NUMBER	DESCRIPTION
1	1	IAT-T120HE46	120 GALLON TANK ASSEMBLY ELIT
2	1	IAT-RCP-10-230-3	10 HP 3PH 208-230V WEG STARTE
3	1	IAT-B103E	10HP 3 PHASE ELITE HORIZ SKID

4

3

2

1

D

D

C

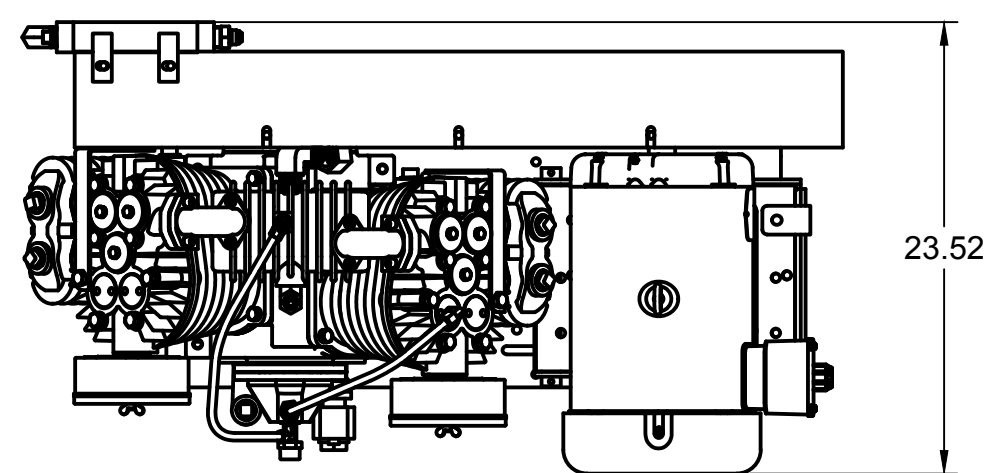
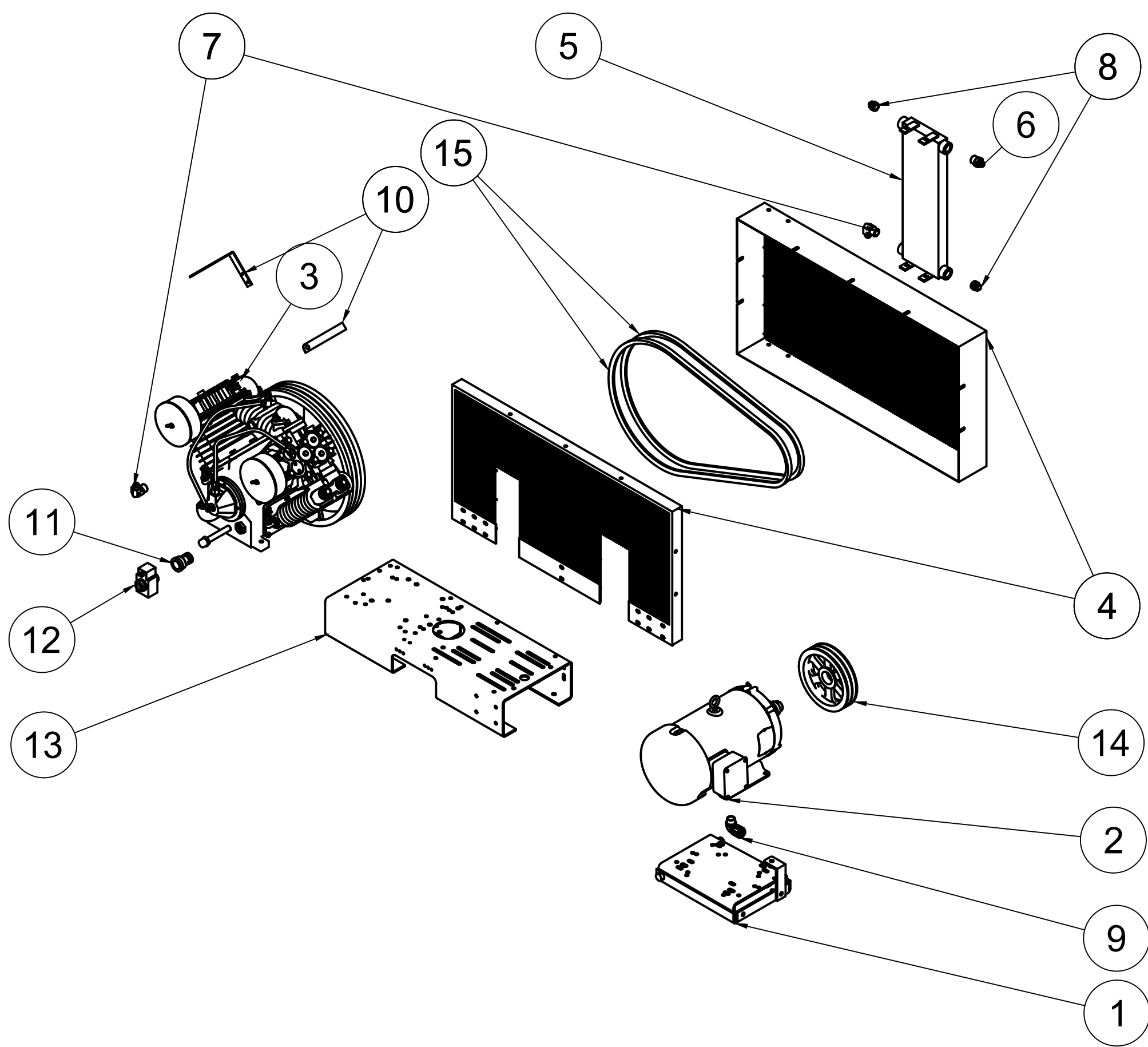
C

B

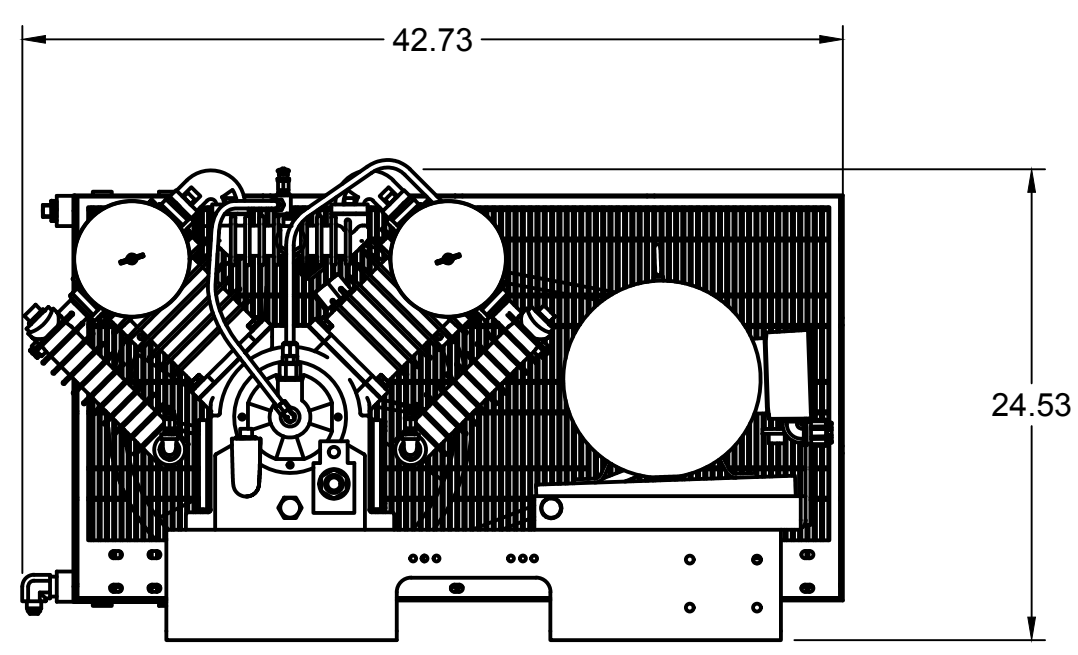
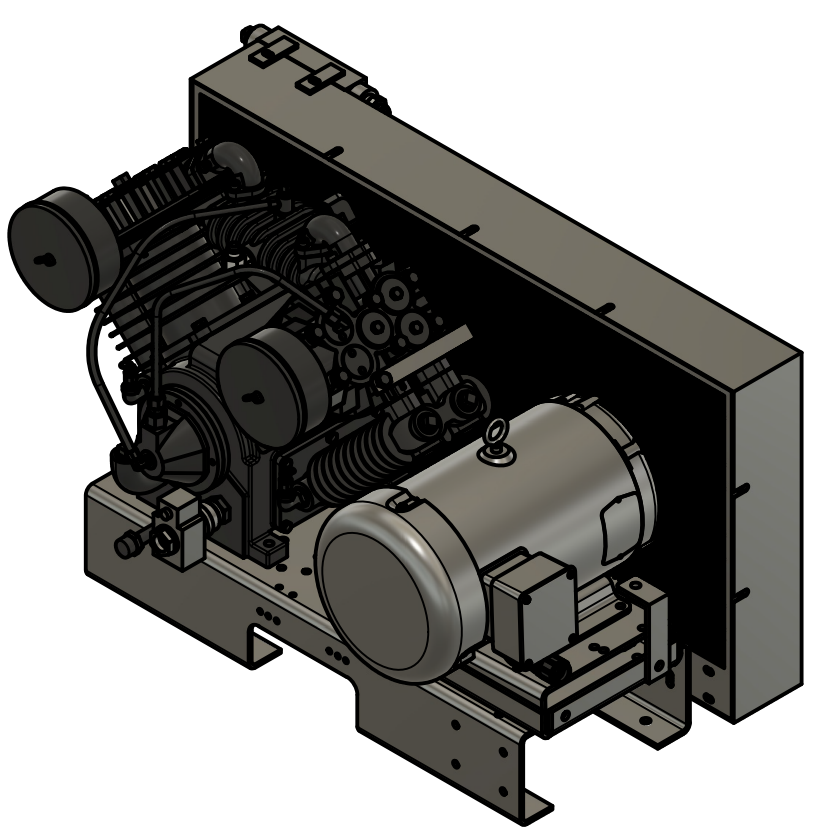
B

A

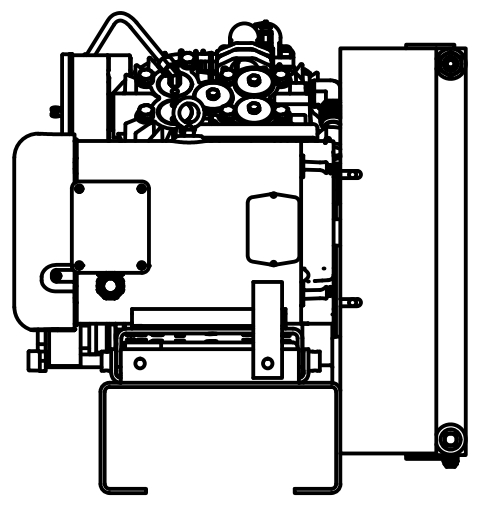
A



TOP VIEW



FRONT VIEW



SIDE VIEW

PARTS LIST				PARTS LIST			
ITEM	QTY	PART NUMBER	DESCRIPTION	ITEM	QTY	PART NUMBER	DESCRIPTION
1	1	IAT-184-215TMP	184-215T MOTOR PLATE	9	1	IAT-4972NM	3/4X3/4 90 CONN FOR 10 SEOPRE
2	1	IAT-EM-10-3-17T	10HP TEFC 3 PHASE 1750 RPM	10	2	IAT-1/8X1X12	STRAP BELT GUARD
3	1	IAT-CA2	10HP BARE PUMP	11	1	IAT-CA-3353103	LOW OIL PIPE CONNECTOR
4	1	IAT-BG40X20X5-V2	#3-03 BELT GUARD 10HP ELE NEW	12	1	IAT-3353102-D	LOW OIL MONITOR
5	1	IAT-M-12-AL	BELT GUARD COOLER 48 CFM	13	1	IAT-TP32BKWR	32IN TOP PLATE
6	1	IAT-2404-08-12-O	3/4MP X 1/2 M JIC STRAIGHT OR	14	1	IAT-2BK90-1-3/8	2B 8.75 FIXED BORE 1-3/8
7	2	IAT-2501-08-12-O	3/4 MP X 1/2 M JIC 90 DEG R IN	15	2	IAT-B80	80" BELTS
8	2	IAT-PF3/4PLUG	3/4" PLUG				

4

3

2

1

4 3 2 1

D

D

C

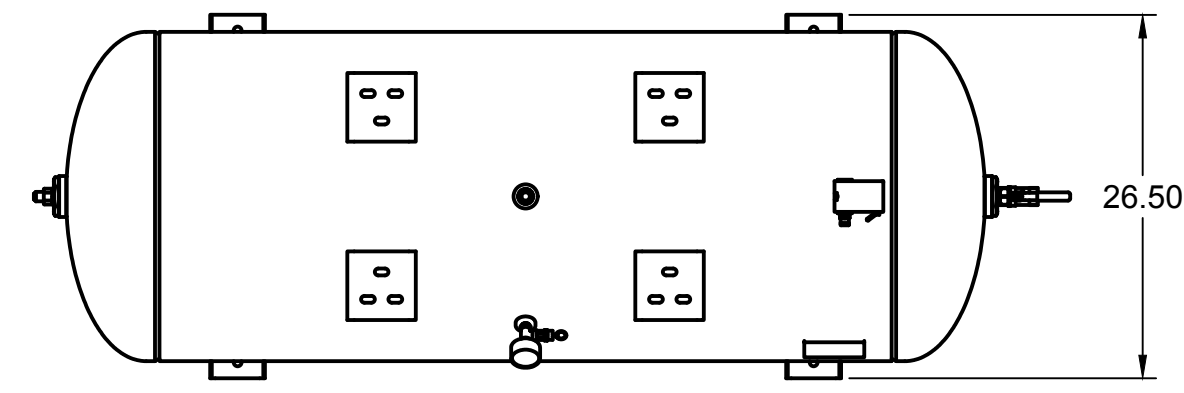
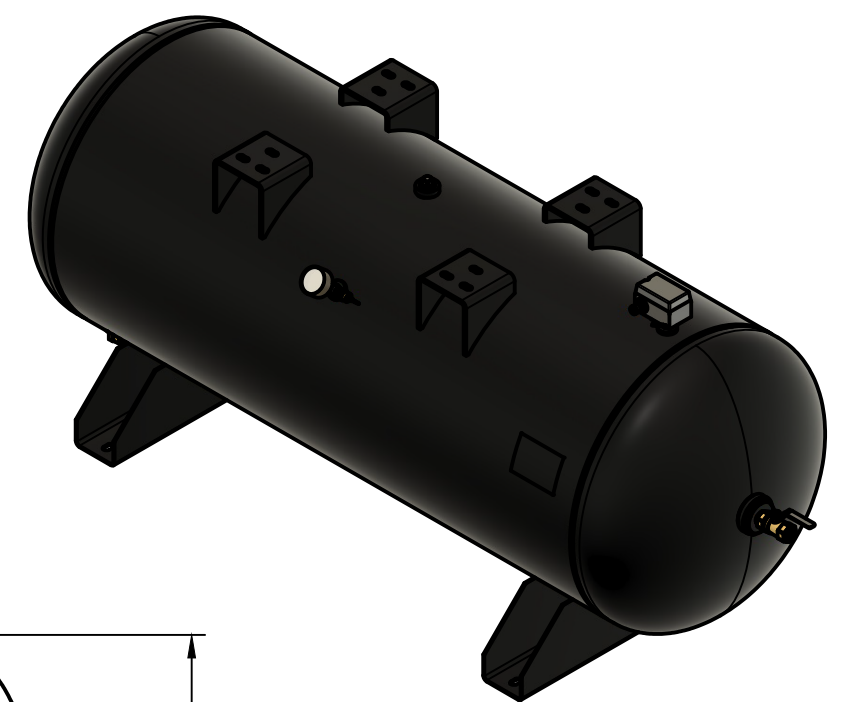
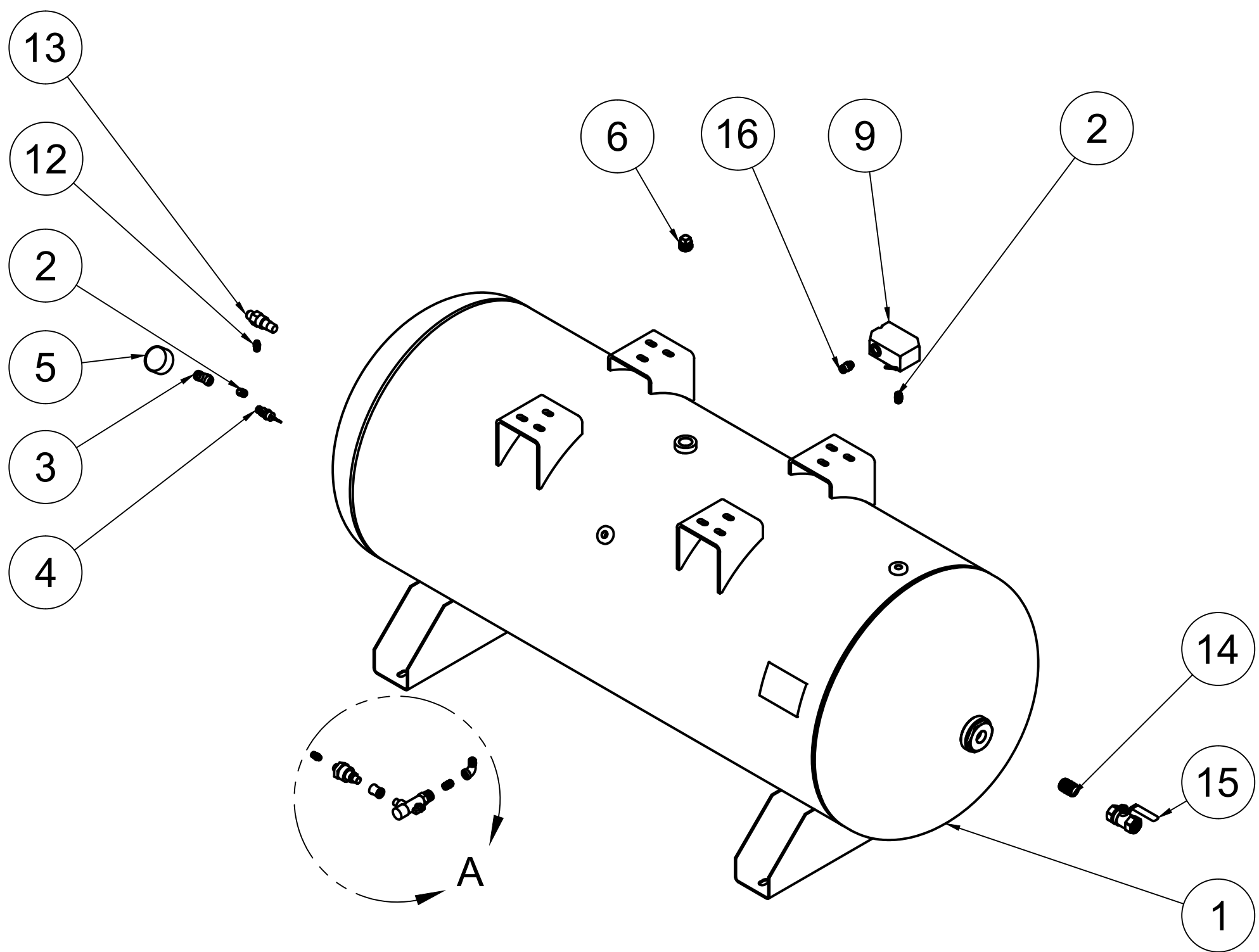
C

B

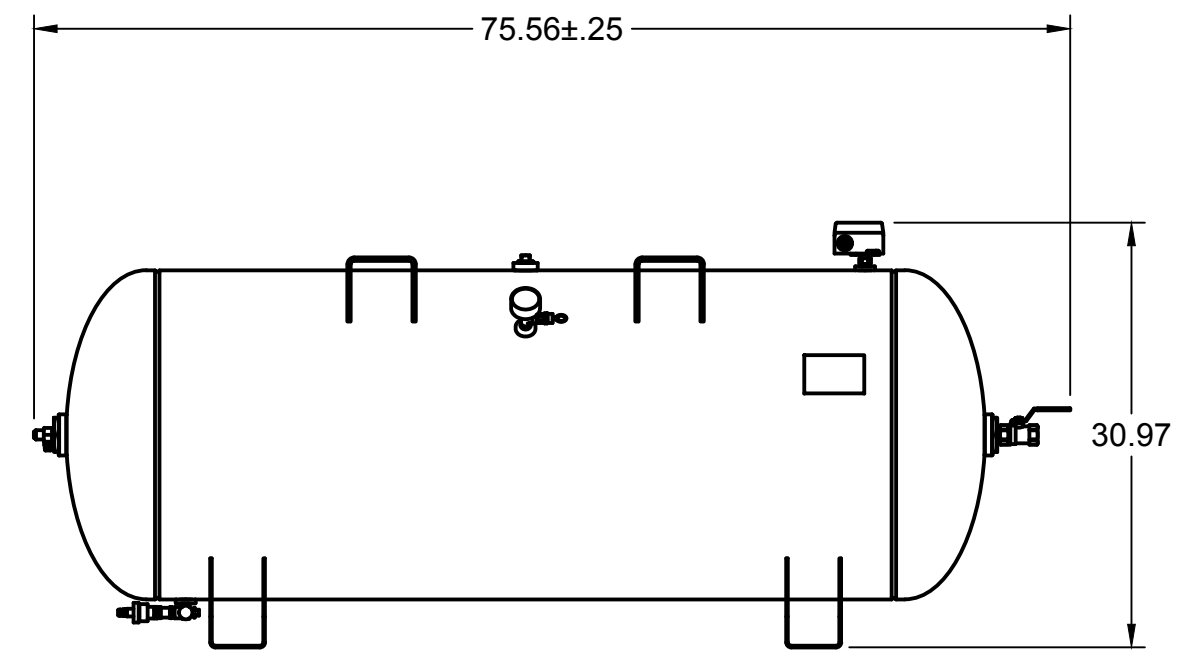
B

A

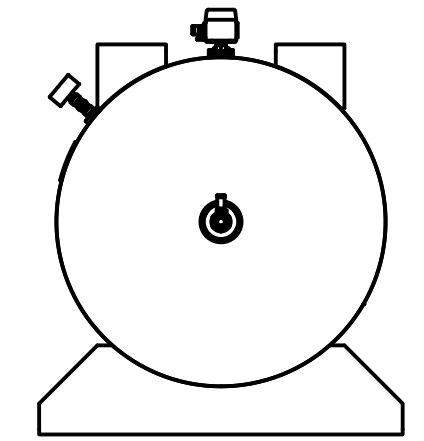
A



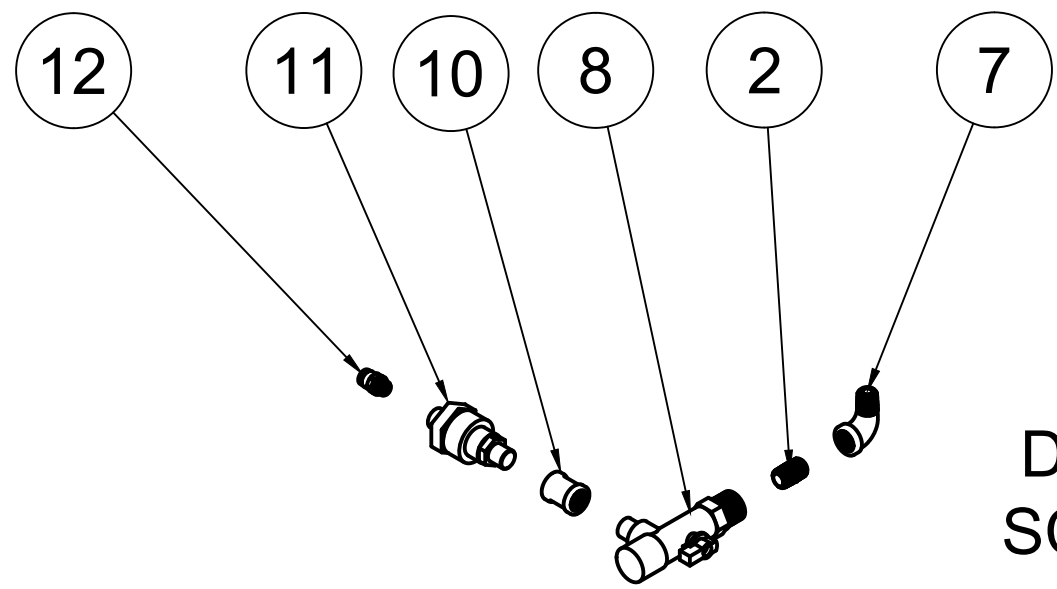
TOP VIEW



FRONT VIEW



SIDE VIEW



DETAIL A
SCALE 1:5

PARTS LIST

ITEM	QTY	PART NUMBER	DESCRIPTION
1	1	IAT-120HNTPBKWR	120 GALLON TANK
2	3	IAT-PF1/4"CL	1/4" CLOSE NIPPLE GALV
3	1	IAT-PF1/4" T BLACK	1/4" T GALV
4	1	IAT-ST25-200	SAFETY VALVE 200 PSI
5	1	IAT-PSB20	AIR GAUGE BACK MT 1/4
6	1	IAT-PF3/4PLUG	3/4" PLUG
7	1	IAT-PF1/4" STR 90 B	1/4" STREET 90 GALV
8	1	IAT-EDVS9002	1/4 BALL VALVE STRAINER

PARTS LIST

ITEM	QTY	PART NUMBER	DESCRIPTION
9	1	IAT-LF10-1H3	PRESSURE SWITCH 1 PT 145-175
10	1	IAT-PF1/4COUPLING	1/4 COUPLING
11	1	IAT-WV-1	AIR OPERATED AUTO TANK DRAIN
12	2	IAT-BPC-2404-04-02	1/8 P X 1/4 COMP PUSH LOC ST
13	1	IAT-CTJ1234	JIC CHECK VALVE
14	1	IAT-PF3/4"CL	3/4" CLOSE NIPPLE BL
15	1	IAT-716116	BALL VALVE 3/4
16	1	IAT-BPC-2404-06-04	1/4 P X 3/8 COMP PUSH LOK ST

4 3 2 1