

TAG:

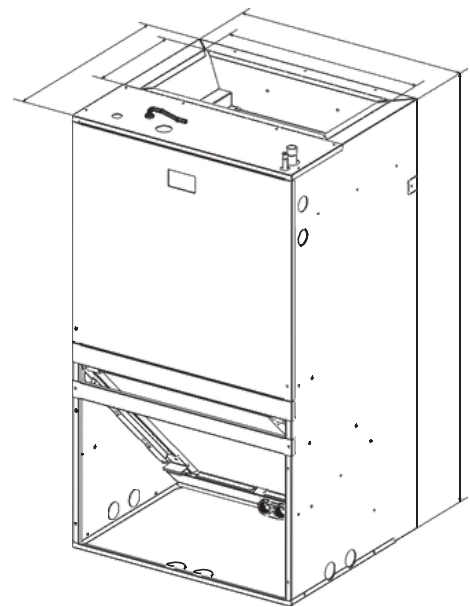
Submittal

**1.5 / 2 Ton Wall-Mount
Air Handler - 1 Phase
DWM5P181B00*
DWM5P241B00***

Standard Features:

- Multi-speed PSC motor design.
- Drain pan with bottom primary and secondary drain connections..
- Built-in wall-hanging bracket.
- Optional electric heater kits: 5, 7.5, 10kW.
- All-aluminum heat exchanger prevent for formicary corrosion.
- R32 refrigerant sensor is factory-installed, ensures safe operation.

FOR ILLUSTRATIVE PURPOSES ONLY



Model	W - inch [mm]	H - inch [mm]	L - inch [mm]	GAS VALVE SIZE in.	LIQUID VALVE SIZE in.
DWM5P181B00*	20-3/5[524]	36-1/2[928]	16-3/5[421]	3/4	3/8
DWM5P241B00*	20-3/5[524]	36-1/2[928]	16-3/5[421]	3/4	3/8

PRODUCT SPECIFICATIONS

NOMINAL RATING	1.5T on	2Ton
Cooling (BTU/h)	17,400	23,600
Rate CFM	630	710
External Static Pressure (in.w.c) [Pa]	0.58[1 45]	0.58 [145]
ELECTRICAL DATA		
Voltage / Phase (60 Hz)	208/230/1	208/230/1
Min. / Max. Voltage	187/253	187/253
MCA	2.25	2.25
MOP	3	3
INDOOR UNIT COIL		
Type	Tube & Fin	Tube & Fin
Material	ALL-Aluminum	ALL-Aluminum
Tube Size (in.)	9/32	9/32
FAN MOTOR		
Motor Type	PSC	PSC
Capacitor(uF)	10	10
Horsepower (HP)	1/5	1/5
Full Load Amps (FLA)	1.8	1.8
BLOWER		
Material	Metal	Metal
Diameter(in.)	9	9
Coil Drain Connection FPT (in.)	3/4"	3/4"
REFRIGERATION CONNECTION		
Liquid Line Size ("O.D.)	3/8"	3/8"
Suction Line Size ("O.D.)	3/4"	3/4"
SHIPPING DIMMENTION - (IN.) [mm]		
Width	23-1/4[591]	23-1/4[591]
Height	39-3/4[1010]	39-3/4[1010]
Length	19-7/16[494]	19-7/16[494]
SHIPPING WEIGHT		
Shipping (LBS.) [kg]	103[46.7]	103 [46.7]



Note: Product specifications change from time to time as product improvements and developments are released and may vary from those in this document.

PRODUCT SPECIFICATIONS

Heater Kit Model	Electric Heater (kW)	Min. Circuit Ampacity		Max. Fuse or Breaker (HACR) Ampacity		REFERENCE AIRHANDLER USE	Min. Heating Blower Speed (AC/HP) PSC MOTOR		
		208V	230V	208V	230V		LOW	MEDIUM	HIGH
AEHK-05 (WM)	5	22.8	24.9	25	25	18K(PSC)	●	●	●
						24K(PSC)	●	●	●
AEHK-08(WM)	7.5	34.8	37.9	35	40	18K(PSC)	●	●	●
						24K(PSC)	●	●	●
AEHK-10(WM)	10	45.4	49.8	50	50	18K(PSC)	●	●	●
						24K(PSC)	●	●	●

✕ = Not available, ● = Available

AIR HANDLER MODEL	Motor Speed	AIR FLOW PERFORMANCE (PSC MOTOR)									
		External Static Pressure-Inches W.C. (kPa)									
			0(0)	0.1(.02)	0.2(.05)	0.3(.07)	0.4(.10)	0.5(.12)	0.6(.15)	0.7(.17)	0.8(.20)
18K (PSC)	Low (*)	CFM	963	940	904	855	792	716	627	524	408
	Medium	CFM	1082	1053	1011	955	886	805	710	602	481
	High	CFM	1218	1178	1130	1071	1004	927	841	745	640
24K (PSC)	Low	CFM	963	940	904	855	792	716	627	524	408
	Medium (*)	CFM	1082	1053	1011	955	886	805	710	602	481
	High	CFM	1218	1178	1130	1071	1004	927	841	745	640

(*) = Factory Default

Note:

- Airflow ratings are based on dry coil operation at 230V, without electric heat or filter. Verify that line voltage remains stable at the rated 230V to ensure consistent air delivery.
- Airflow performance is identical for both front-return and bottom-return configurations.
- System airflow requirement: 300–450 CFM per ton. (Note: Indoor Units equipped with electric heat kits require 350–450 CFM per ton.)
- Rated airflow must be maintained during full-load operation of the equipment.
- The duct system has the greatest impact on delivered airflow. Since the duct system is fully controlled by the contractor, only industry-recognized procedures should be applied.
- Duct design and installation must be performed carefully. Improper layout or poor workmanship can reduce system capacity and efficiency.
- Supply ducts and diffusers must be properly sized and located along the perimeter of the conditioned space. Undersized or misapplied diffusers can cause noise, drafts, or inadequate ventilation. Return grilles must also be correctly sized to provide sufficient airflow back to the blower.
- The installer must balance the air distribution system to ensure quiet, uniform airflow throughout all zones. Air balancing should be verified using appropriate test instruments.

Important:

- When model 30 and 36 used with electrical heater kit 7.5kW and 10kW, you need to ensure that the air volume is not less than 1100 CFM.



Note: Product specifications change from time to time as product improvements and developments are released and may vary from those in this document.