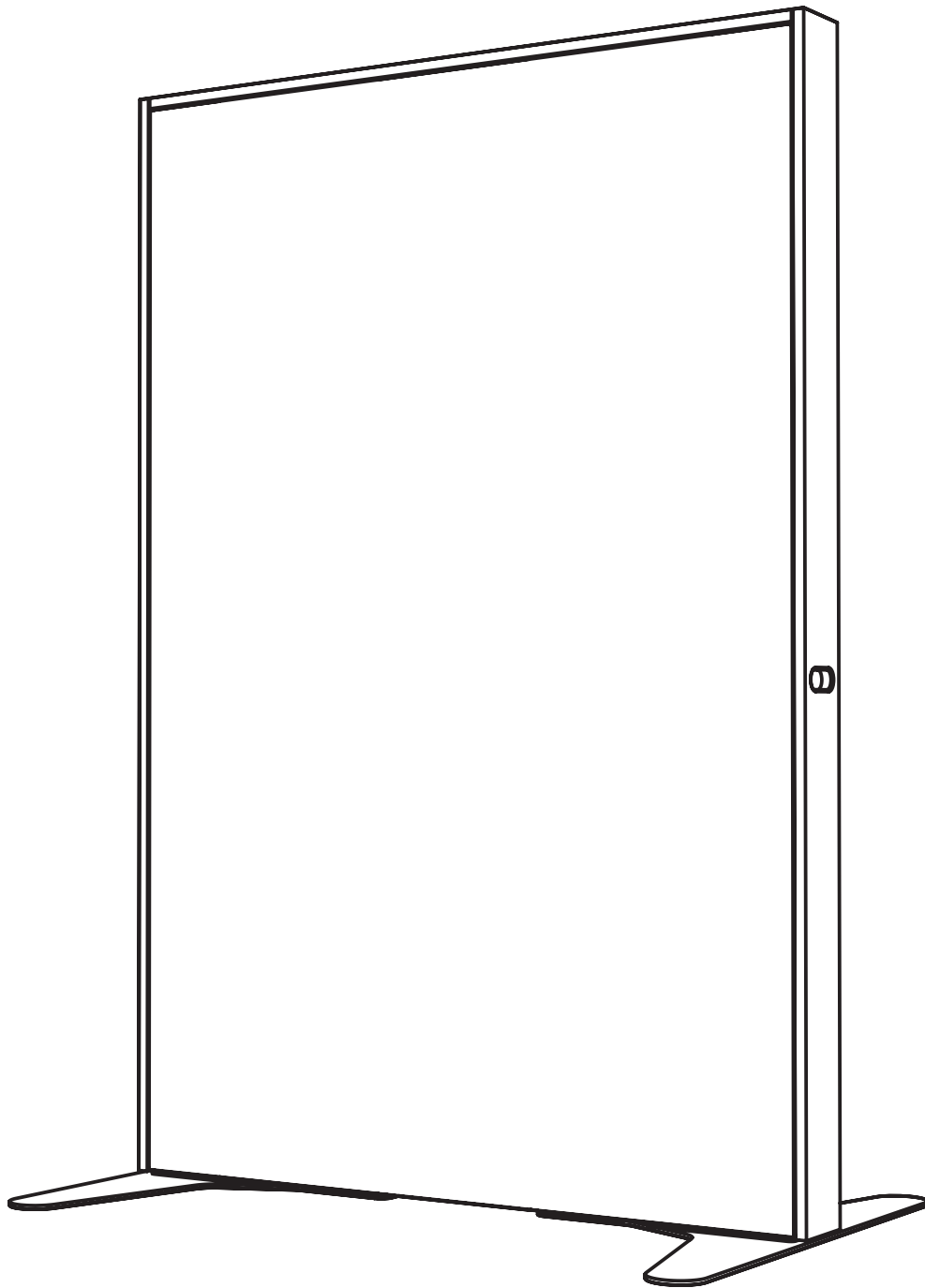


XFRAME®

Studio Wall

Assembly Instructions



Assembly Health And Safety



Assemble with care



Two person assembly



Do not climb on panel



Recycle all packaging



Lift correctly with care



Hand protection recommended



Protect surfaces

Follow all instructions with care. Handle all components with care. Do not assemble the product without following these assembly instructions provided by this guide.

Studio Wall parts are made of untreated engineered timber materials. During assembly use gloves to protect hands from splinters. During use avoid abrasive materials dislodging wood fragments causing splinters and/or damaging clothing/the product. All engineered timber used in Studio Wall are to ISO 12460 standards.

Studio Wall parts are made of untreated engineered timber materials that contain phenol formaldehyde resins. Only engineered sheet products with an emission class of 0 or better is used in Studio Wall

Studio Wall parts are heavy once assembled and safe lifting requirements must be maintained at all times. Unlined Studio Wall panels measuring up to 1.2m x 2.4m may be lifted by an individual. Lined panels, joined panels and/or panels of a greater dimensions must be moved by at least two people.

When standing, joining and/or connecting Studio Wall panels ensure care is taken to ensure each panel is always supported. Do not leave single panels standing without perpendicular or intersecting panels fully connected. Ensure hands and fingers are clear of panel joints when connecting panels.

For the protection of the product, and to protect the objects and surfaces near your product, it is recommended that the product is placed on a protected surface during assembly (such as carpet or carpet tiles).

All Studio Wall products are designed for indoor use only.

Do not stand on Studio Wall and do not use Studio Wall as a step-ladder.

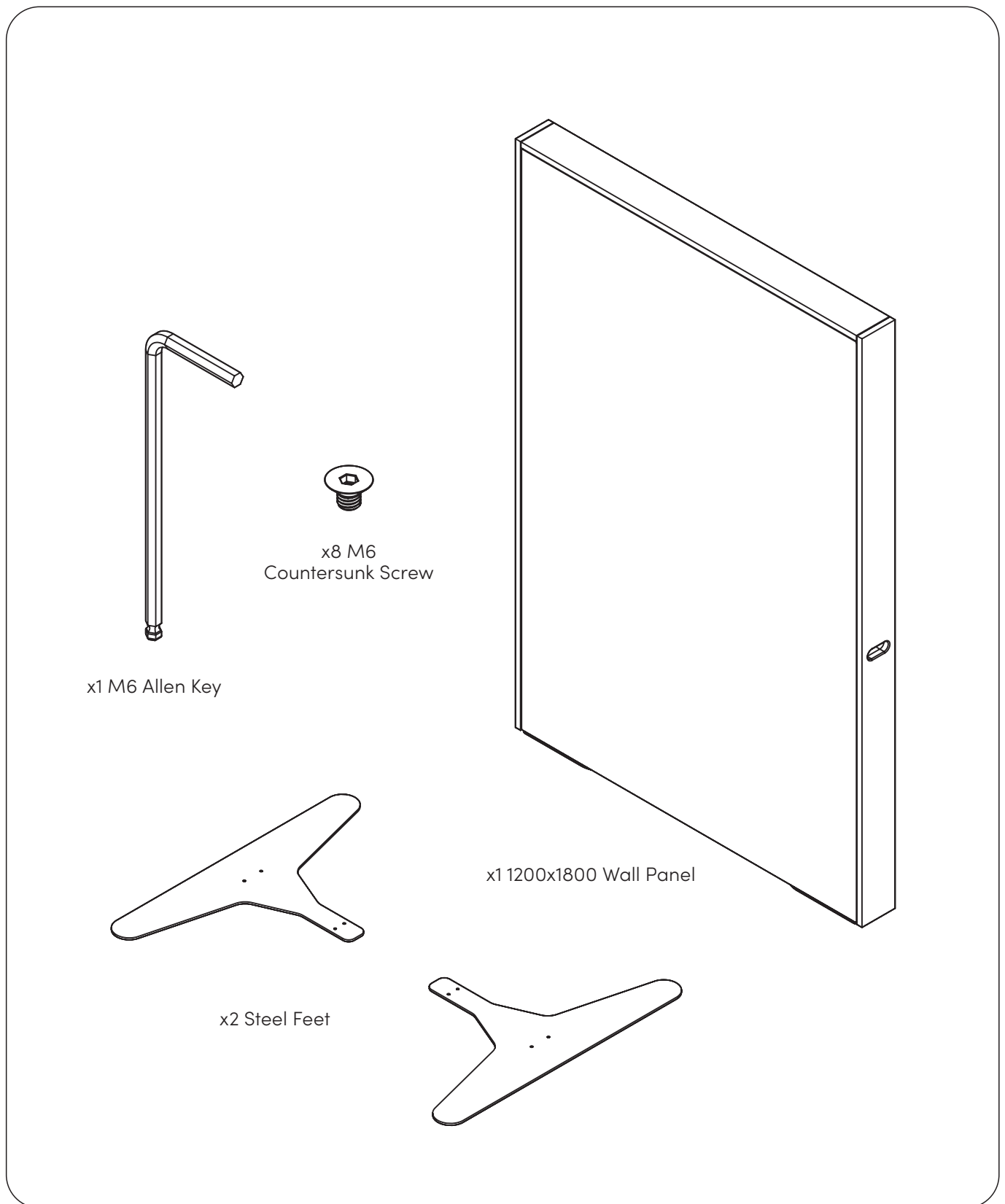
During assembly take care to not over tighten or use excessive force as this may damage the product.

Where possible assemble the Studio Wall near the area in which they will be placed to avoid moving the item unnecessarily.

The Studio Wall is large and require ample space for assembly. Please ensure that you have sufficient space before beginning.

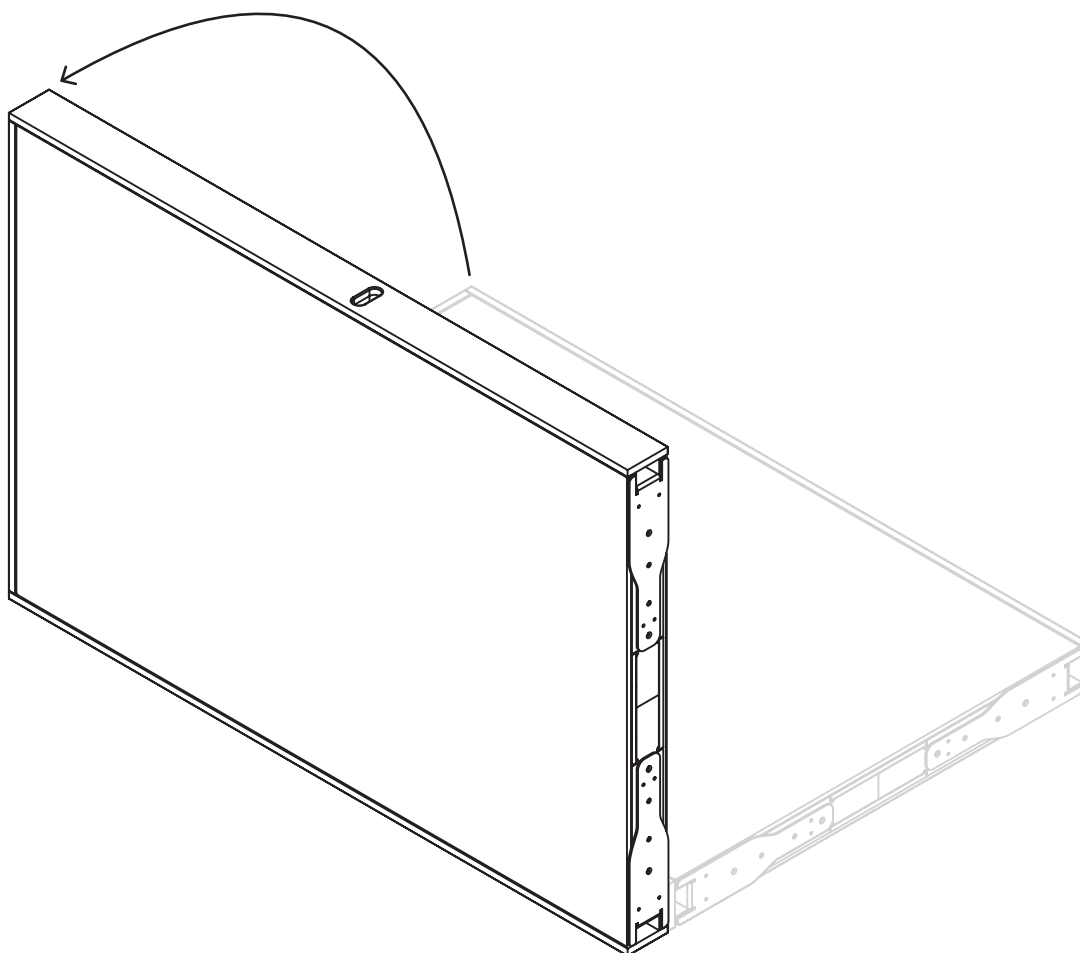
Ensure all parts are present before assembling. If parts are missing please contact XFrame.

Studio Wall Vertical - 1200x1800 Parts

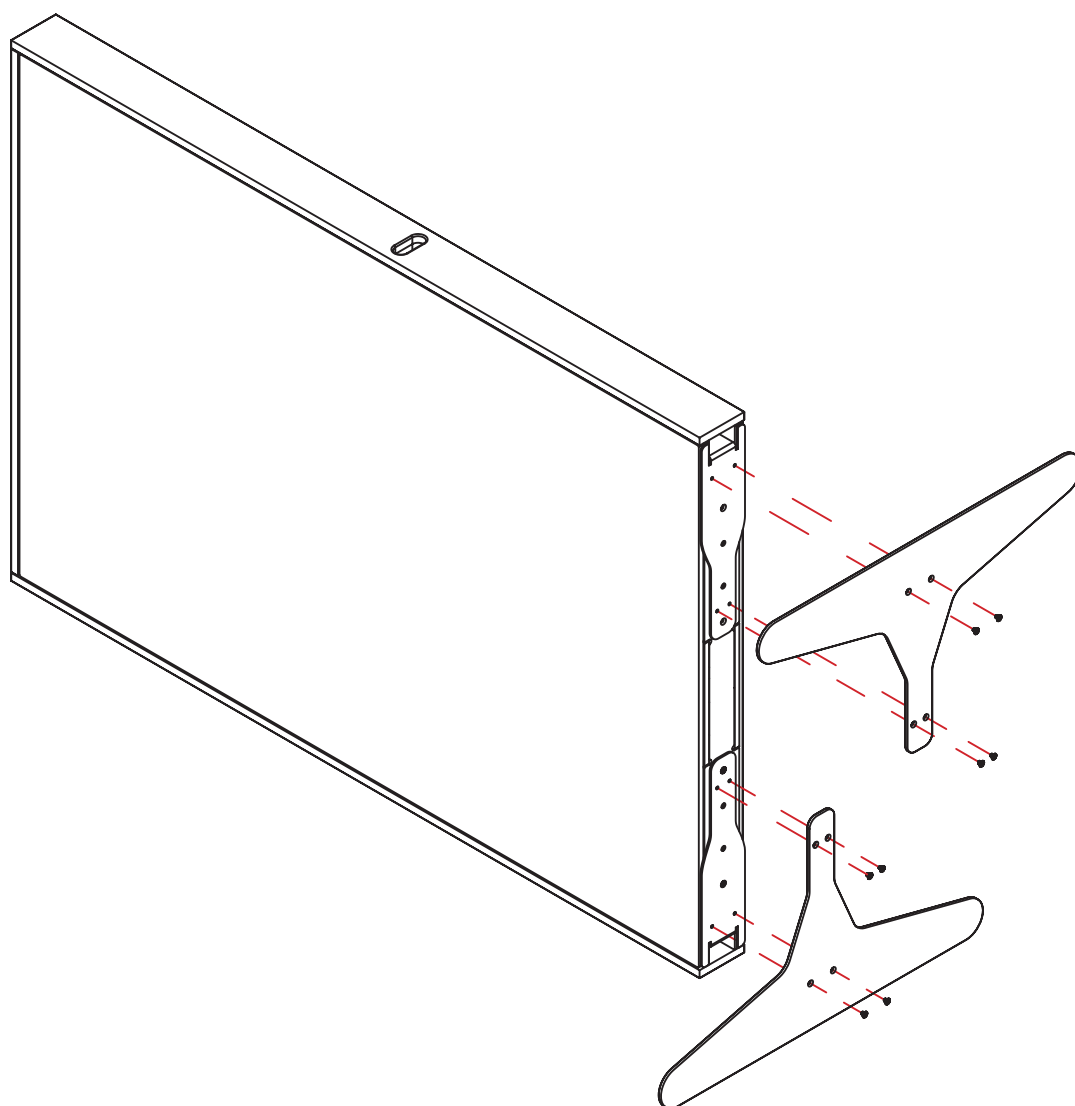


Assembly Instructions

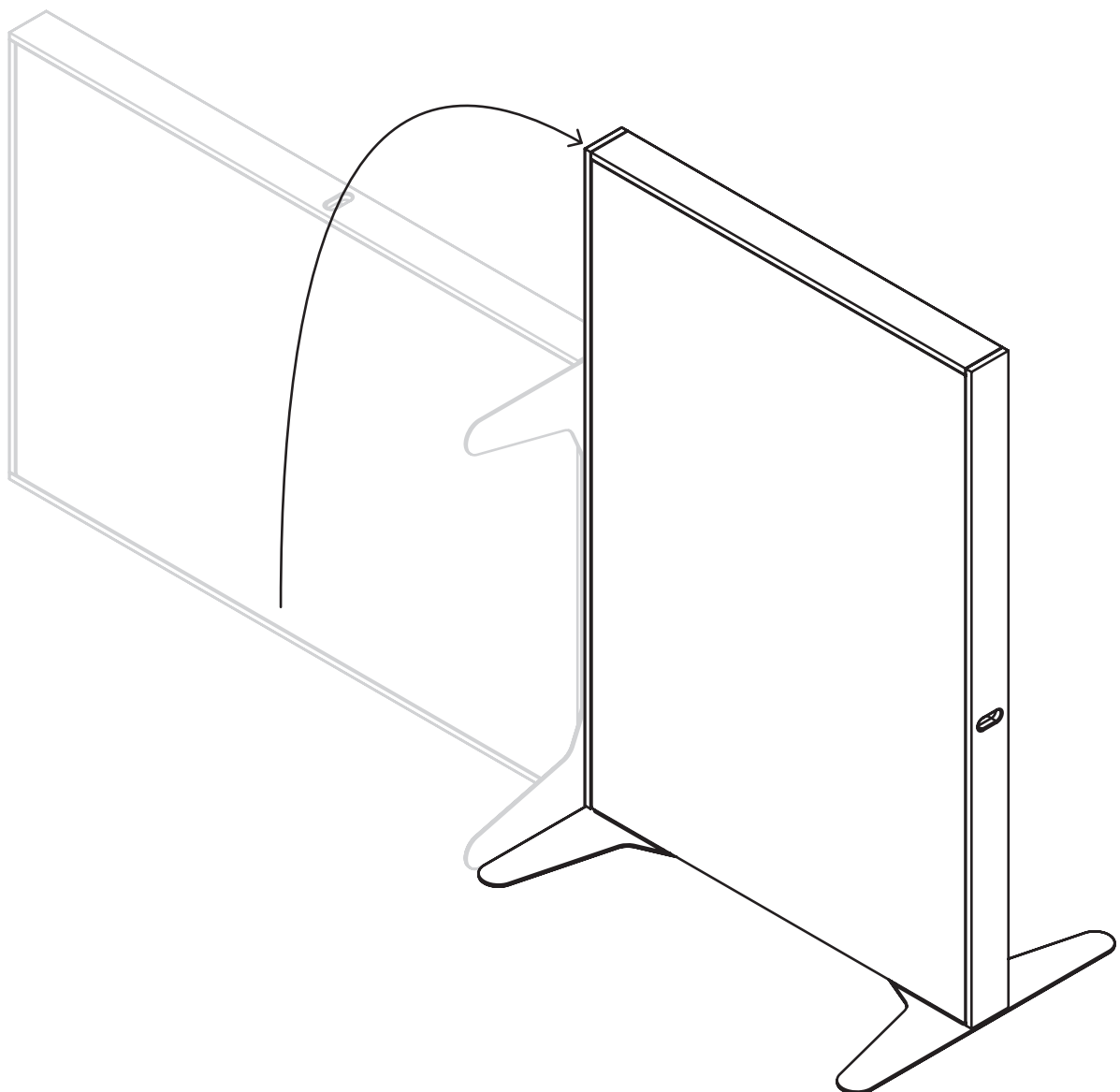
- 01.** Stand panel on side edge.



02. Fix foot plate with M6 Screws.



03. Stand panel.



04. Finished.

