

TQSDT

SUBMITTAL DATA

TM12D6CSI
12000 BTU/H Mini Console Heat Pump System

| | | |
|------------------|--------------|------|
| Job Name | Location | Date |
| Purchaser | Engineer | |
| Submitted to | For | |
| Unit Designation | Schedule No. | |

| | | |
|---|---|---|
|  |  |  |
| YBE1FB5F | TM12D6CSI | XE72-44/E (Optional) |

GENERAL FEATURES

- Quiet Operation and Multi-Speed Fan
- 2-Way Discharge Air
- Swing Louver Control
- Multi-Directional Air Flow
- Wireless Remote with LCD Display Included
- Optional XE72-44/E Wired Controller
- Low Ambient Cooling and Heating
- (Indoor and Outdoor) Copper Tube / Aluminum Fin
- Blue Colored Fin - 500 Hrs Salt Spray Tested
- New R32 Refrigerant with Refrigerant Sensor

SPECIFICATIONS, FEATURES & FUNCTION SUMMARY

| INDOOR MODEL | | TM12D6CSI | | | |
|---|-------------------|-------------------|--------------------------------|--------------------------------|---|
| System Type | | | | HEAT PUMP | |
| Outdoor Model | VIR12HP230V1R32AO | ENV12HP230V1R32AO | SAP12HP230V1R32AO | | |
| SYSTEM PERFORMANCE | | | | | |
| Cooling | Min - Max | Btu/h | 7,452 - 14,638 | 7,452 - 14,638 | 8,620 - 16,933 |
| | Capacity @95°F | Btu/h | 12,000 | 12,000 | 12,000 |
| Heating | Min - Max | Btu/h | 6,435 - 19,989 | 6,435 - 19,989 | 7,422 - 16,134 |
| | Capacity @47°F | Btu/h | 12,000 | 12,000 | 12,000 |
| | Capacity @17°F | Btu/h | 7,500 | 7,500 | 7,500 |
| | Capacity Max @5°F | Btu/h | 10,000 | 10,000 | 10,200 |
| SEER2 | | | 23.0 | 23.0 | 23.0 |
| EER2 | | | 13.0 | 13.0 | 13.0 |
| HSPF2 | | | 9.0 | 9.0 | 9.0 |
| COP @5°F | | | 1.90 | 1.90 | 1.90 |
| Cooling Temperature Range | | °F | -20 - 122 | | |
| Heating Temperature Range | | °F | -22 - 86 | | |
| Refrigerant Type | | | | | R32 |
| INDOOR UNIT | | TM12D6CSI | | | |
| Air flow (Min-Max) | | CFM | 206 - 441 | | |
| Sound Pressure Level (Min - Max) | | dB(A) | 29 - 45 | | |
| Dehumidification | | pt/hr | 2.96 | | |
| External Dimensions (L x D x H) | | in | 27-9/16 x 8-15/32 x 23-5/8 | | |
| Package Dimension (L x W x H) | | in | 31-1/32 x 11-9/64 x 27-7/16 | | |
| Net Weight | | lbs | 33.1 | | |
| Gross Weight | | lbs | 39.7 | | |
| OUTDOOR UNIT | | | | | |
| Sound Pressure Level | | dB(A) | 52 | 52 | 55 |
| External Dimensions (L x D x H) | | in | 31-37/64 x 13-25/32 x 21-27/32 | 31 37/64 x 13 25/32 x 21 27/32 | 34-3/8 x 14-51/64 x 21-27/32 |
| Package Dimension (L x W x H) | | in | 34-21/64 x 15-43/64 x 24-13/32 | 34 21/64 x 15 43/64 x 24 13/32 | 37-7/16 x 16-31/32 x 24-13/32 |
| Net Weight | | lbs | 67.3 | 70.6 | 78.3 |
| Gross Weight | | lbs | 72.8 | 76.1 | 84.9 |
| REFRIGERANT PIPING | | | | | |
| Refrigerant Charge - R410A | | oz | 28.2 | 28.2 | 47.6 |
| Additional Charge | | oz/ft | 0.2 | 0.2 | 0.4 |
| Line Set Sized by Indoor Unit (Liquid - Gas) | | in | 1/4-3/8 | | |
| Line Set Size (Liquid - Gas) - Flared Connections | | in | 1/4-3/8 | | |
| Pre-Charge Length | | ft | 25 | | |
| Pipe Length (Min - Max) | | ft | 10 - 66 | 10 - 66 | 10 - 131 |
| Max. Pipe Elevation | | ft | 40 | 40 | 82 |
| ELECTRICAL | | | | | |
| Power Supply | | | | | 208-230V / 1Ph / 60Hz (Powered by the Outdoor Unit) |
| Voltage Range (Min - Max) | | VAC | 187 - 253 | | |
| Rated Current - Cooling | | A | 6.64 | 6.64 | 5.9 |
| Rated Current - Heating | | A | 6.41 | 6.41 | 7.8 |
| MCA | | A | 10 | 10 | 11 |
| MOCP | | A | 15 | 15 | 15 |
| Suggested Breaker Size | | A | 10 | 10 | 15 |
| Main Power Wire Size | | AWG | Per Local Code | | |
| Interconnecting Wire Size | | AWG | 14 / 4 | | |

FEATURES & FUNCTIONS SUMMARY

SYSTEM FEATURES

| | |
|---|---------------------------------------|
| Inverter Type | G20 with Field Oriented control (FOC) |
| Ultra Low Frequency Torque Control | Yes |
| Power Factor Correction | Yes |
| Compressor Type - Inverter | High Efficiency Rotary |
| Basepan With Electric Heater | Yes |
| Indoor & Outdoor Fin Coating (Blue Fin) | Yes |
| Intelligent Defrosting | Yes |
| Intelligent Preheating | Yes |
| Low Voltage Startup | Yes |
| Memory/Power Failure Recovery | Yes |
| Self Diagnosis | Yes |
| Wired Controller Interface | Yes |
| WiFi Included | No |
| Indoor Fan Type | Centrifugal |
| Multi Fan Speeds | 7 Speeds |
| Indoor Unit Display | No |
| Auxiliary Electrical Heater | No |
| Ventilation (Outdoor Air) | No |

REMOTE CONTROLLER FUNCTIONS

| | |
|---|-----|
| Auto Mode | Yes |
| Auto Fan | Yes |
| Auto Swing (Horizontal Auto Swing) | No |
| Auto Swing - 180° (Vertical Auto Swing) | Yes |
| Clock | Yes |
| Dry Mode | Yes |
| Dry Anti-Mildew (X-Fan) Mode | Yes |
| Energy Saving Mode | Yes |
| Dirty Filter Alert | No |
| Fan Speed Control (7 Speeds) | Yes |
| I Feel Function | Yes |
| Privacy Lock | Yes |
| Quiet Mode | Yes |
| Room Temperature Display | No |
| Sleep Mode | Yes |
| 3 Sleep Mode Options | Yes |
| Timer Mode | Yes |
| Turbo Mode | Yes |
| Display On/Off Control | Yes |
| Freeze Guard Mode | Yes |
| Power Failure Mode | Yes |

NOTE:

Please check the Multi-zone submittals for Non-Ducted or Mixed Performance table.

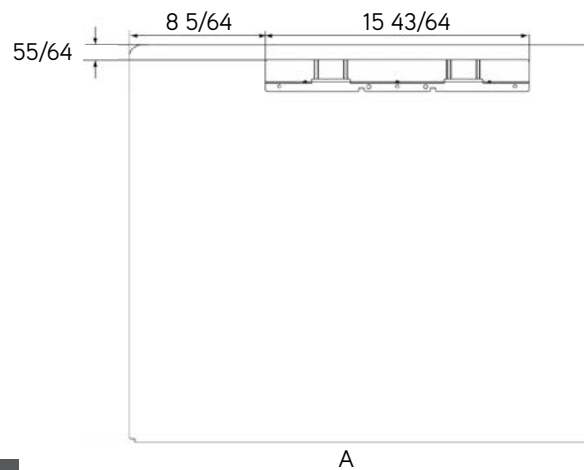
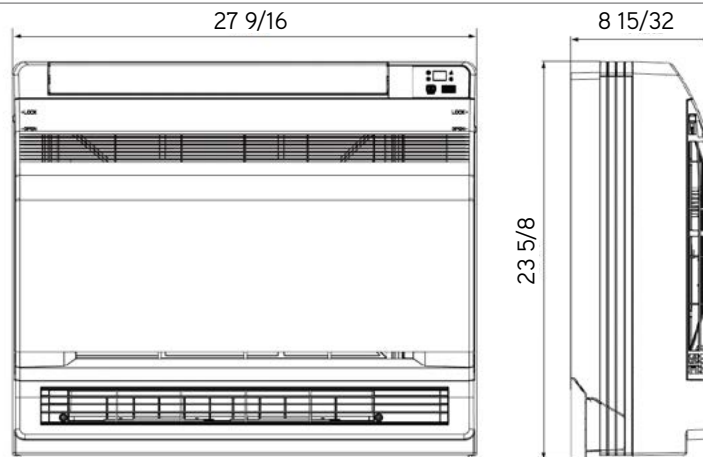
DIMENSIONS

INDOOR UNIT

Unit: inch

TM12D6CSI

DIMENSIONS



OUTDOOR UNIT

Unit: inch

VIR12HP230V1R32AO

DIMENSIONS

| | |
|---|--------------------|
| A | $29 \frac{21}{64}$ |
| B | $31 \frac{37}{64}$ |
| C | $21 \frac{27}{32}$ |
| D | $11 \frac{13}{16}$ |
| E | $13 \frac{25}{32}$ |
| F | $20 \frac{5}{32}$ |
| G | $13 \frac{5}{64}$ |

ENV12HP230V1R32AO

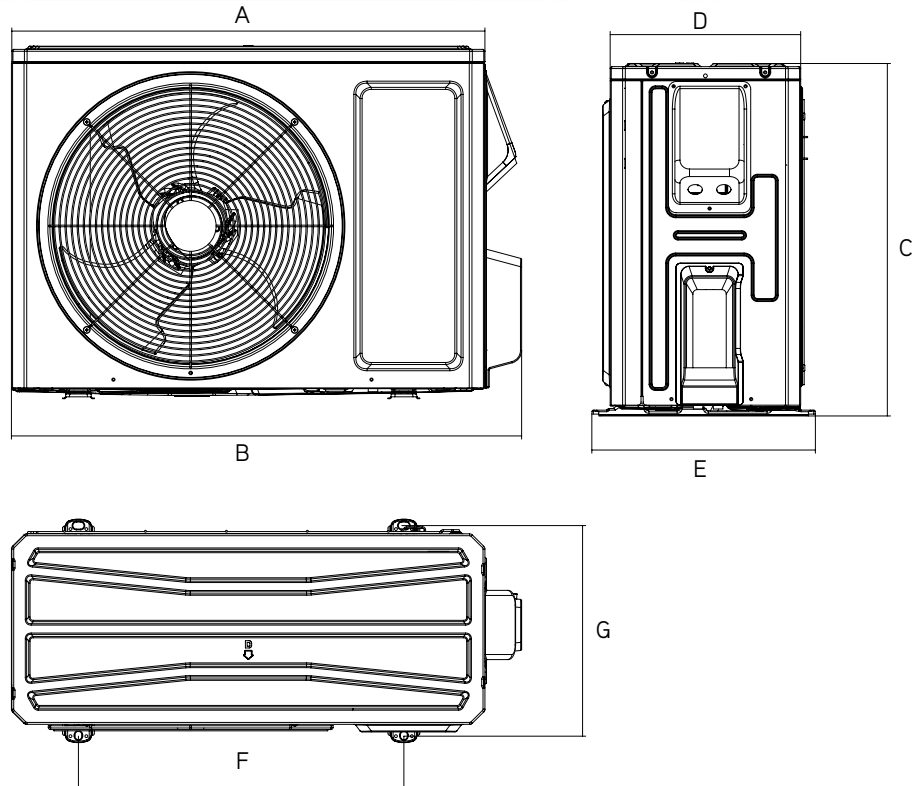
DIMENSIONS

| | |
|---|--------------------|
| A | $29 \frac{21}{64}$ |
| B | $31 \frac{37}{64}$ |
| C | $21 \frac{27}{32}$ |
| D | $11 \frac{13}{16}$ |
| E | $13 \frac{25}{32}$ |
| F | $20 \frac{5}{32}$ |
| G | $13 \frac{5}{64}$ |

SAP12HP230V1R32AO

DIMENSIONS

| | |
|---|--------------------|
| A | $31 \frac{11}{16}$ |
| B | $34 \frac{3}{8}$ |
| C | $21 \frac{27}{32}$ |
| D | $13 \frac{1}{64}$ |
| E | $14 \frac{51}{64}$ |
| F | $20 \frac{25}{32}$ |
| G | $13 \frac{21}{32}$ |



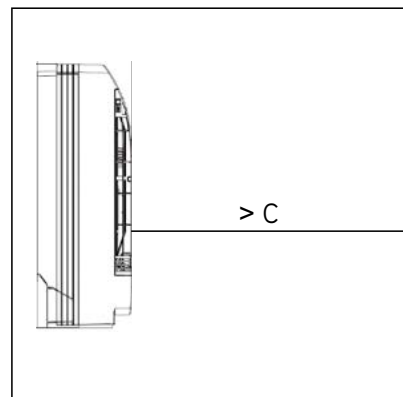
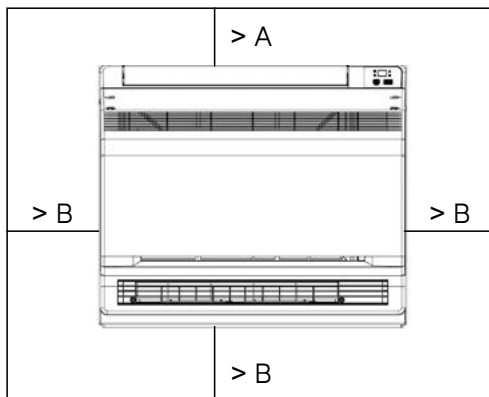
CLEARANCES

INDOOR UNIT

Minimum clearance

| DIMENSIONS | |
|------------|-------|
| A | 2-3/4 |
| B | 2 |
| C | 39 |

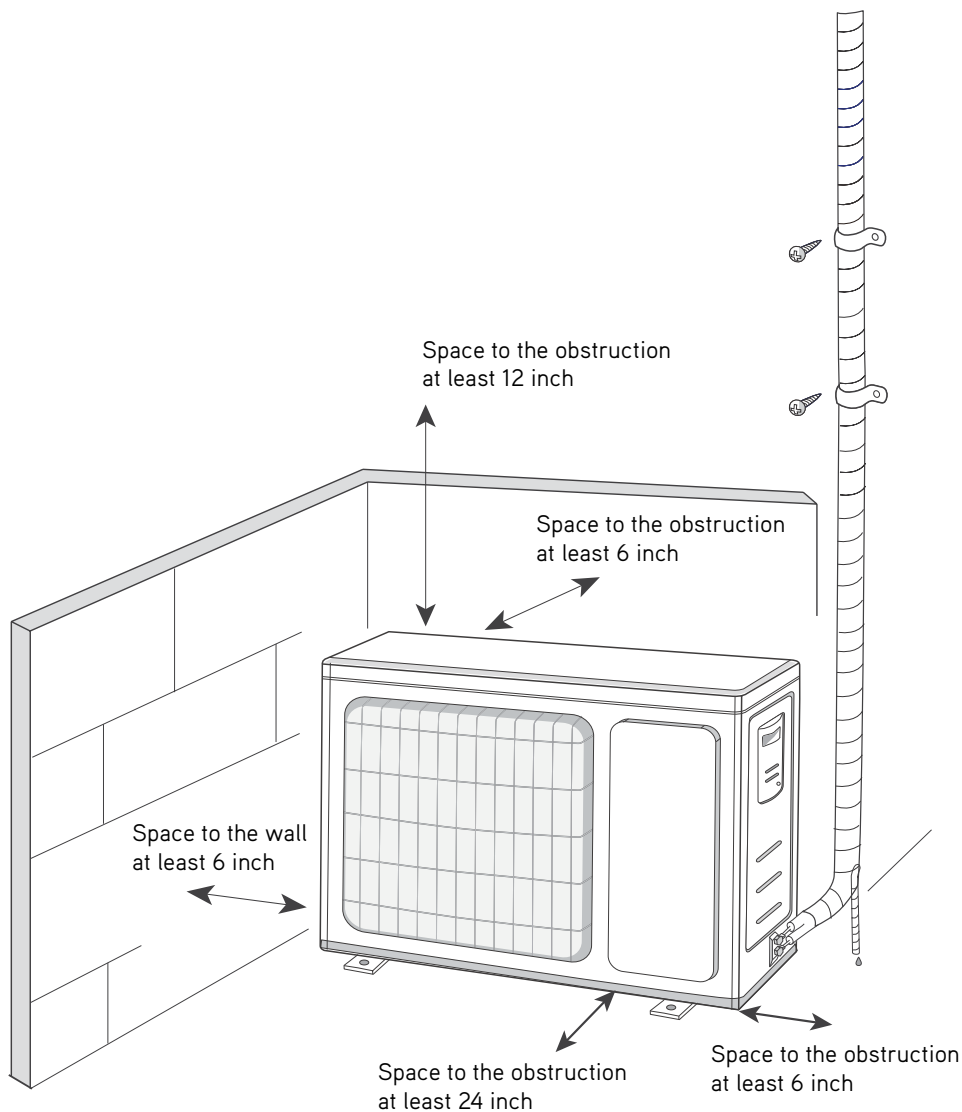
Unit: inch



OUTDOOR UNIT

Minimum clearance

NOTE:
If bottom of the unit is free of airflow obstructions similar to the mounting bracket figure, the clearance to the wall on the back can be reduced to 3 inches.



Specifications are subject to change without notice. Manufacturer reserves the right to discontinue or modify specifications or designs without notice or without incurring obligations. All Rights reserved.

TOSOTCOMFORT.COM