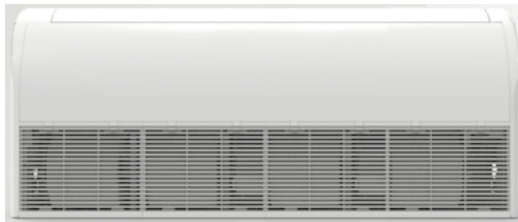




ALL-MATCH INVERTER SERIES_R32

Indoor Model: TTH36D6I



Model			TTH36D6I
Power Supply	Rated Voltage	V~	208/230
	Rated Frequency	Hz	60
	Phases	-	1
Power Supply Mode		-	Outdoor
Cooling Capacity		Btu/h	33600
Heating Capacity		Btu/h	34000
Cooling Power Input		W	2984
Heating Power Input		W	2622
Cooling Current Input		A	13.5
Heating Current Input		A	14.7
Rated Input		W	4000
Rated Cooling Current		A	20
Rated Heating Current		A	20
Air Flow Volume		CFM	1236/1142/1142/1048/1048/895/895
Dehumidifying Volume		Pint/h	7.82
EER		(Btu/h)/W	11.25
COP		(Btu/h)/W	12.97
SEER		-	21
HSPF		-	8.5
Application Area		m ²	46-70
Indoor Unit	Indoor Unit Model	-	TTH36D6I
	Indoor Unit Product Code	-	CN610N0390
	Fan Type	-	Centrifugal
	Fan Diameter Length (DXL)	mm	Φ155X185
	Cooling Speed	r/min	1300/1200/1200/1100/1100/940/940
	Heating Speed	r/min	1300/1200/1200/1100/1100/940/940
	Fan Motor Power Output	W	250
	Fan Motor RLA	A	/
	Fan Motor Capacitor	μF	/
	Evaporator Form	-	/
	Evaporator Pipe Diameter	mm	Φ7
	Evaporator Row-fin Gap	mm	3-1.6
	Evaporator Coil Length	mm	/
	Swing Motor Model	-	MP35CU
	Swing Motor Power Output	W	2.5
	Fuse Current	A	5
	Sound Pressure Level	dB (A)	Cooling:54/51/51/48/48/44/44 Heating:54/52/52/49/49/45/45
	Sound Power Level	dB (A)	Cooling:64/61/61/58/58/54/54 Heating:64/62/62/59/59/55/55
	Dimension (WXHXD)	inch	61 13/16 X 26 3/16 X 9 1/4
	Dimension of Carton Box (LXWXH)	inch	67 61/64 X 30 13/64 X 11 7/32
	Dimension of Package (LXWXH)	inch	68 5/64 X 30 5/16 X 11 13/16
	Net Weight	lb	92.6
	Gross Weight	lb	108



Job Name:

Schedule Reference:

Date:

Specification are subject to change without notice.



Connection Pipe Requirement

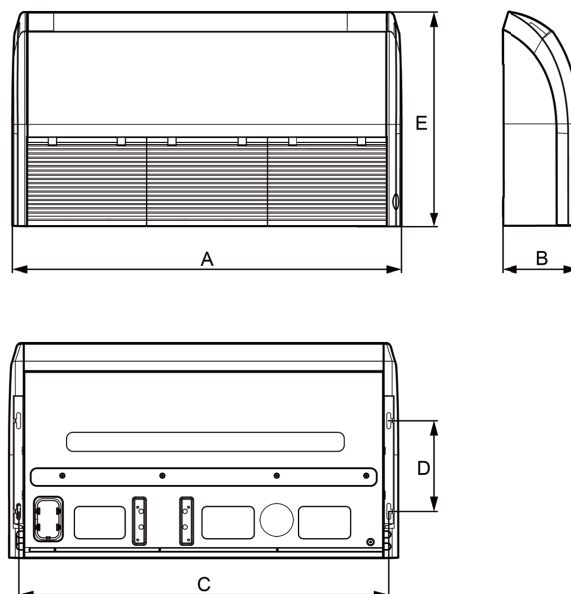
⚠ WARNING!

The maximum length of the connection pipe is listed in the table below. Do not place the units between which the distance exceeds the maximum length of the connection pipe.

Item Model	Size of Fitting Pipe(Inch)		Max. Pipe Length (m)	Max.Height between Indoor Unit and Outdoor Unit (m)	Indoor unit Drainage pipe (Outer Diameter x wall thickness)(mm)
	Liquid	Gas			
36K	1/4	5/8	40	25	Φ17X1.75

- (1). The connecting pipe should be thermally insulated properly.
- (2). The pipe wall thickness shall be 0.5-1.0 mm and the pipe wall shall be able to withstand the pressure of 6.0MPa. The longer the connecting pipe, the lower the cooling and heating effect performs.
- (3). The pipe wall thickness shall be 0.5-1.0mm and the pipe wall shall be able to withstand the pressure of 6.0MPa. The longer the connecting pipe, the lower the cooling and heating effect performs.

Outline Dimension Diagram



Unit:inch

Model	A	B	C	D	E
36K	61 13/16	9 1/4	59 17/32	11 1/32	26 3/16



GREE ELECTRIC APPLIANCES, INC. OF ZHUHAI



Installation Dimension Diagram

- (1). Install the unit at a place where is strong enough to withstand the weight of the unit.
- (2). The air inlet and outlet of the unit should never be clogged so that the airflow can reach every corner of the room.
- (3). Leave service space around the unit as required in Fig. 2

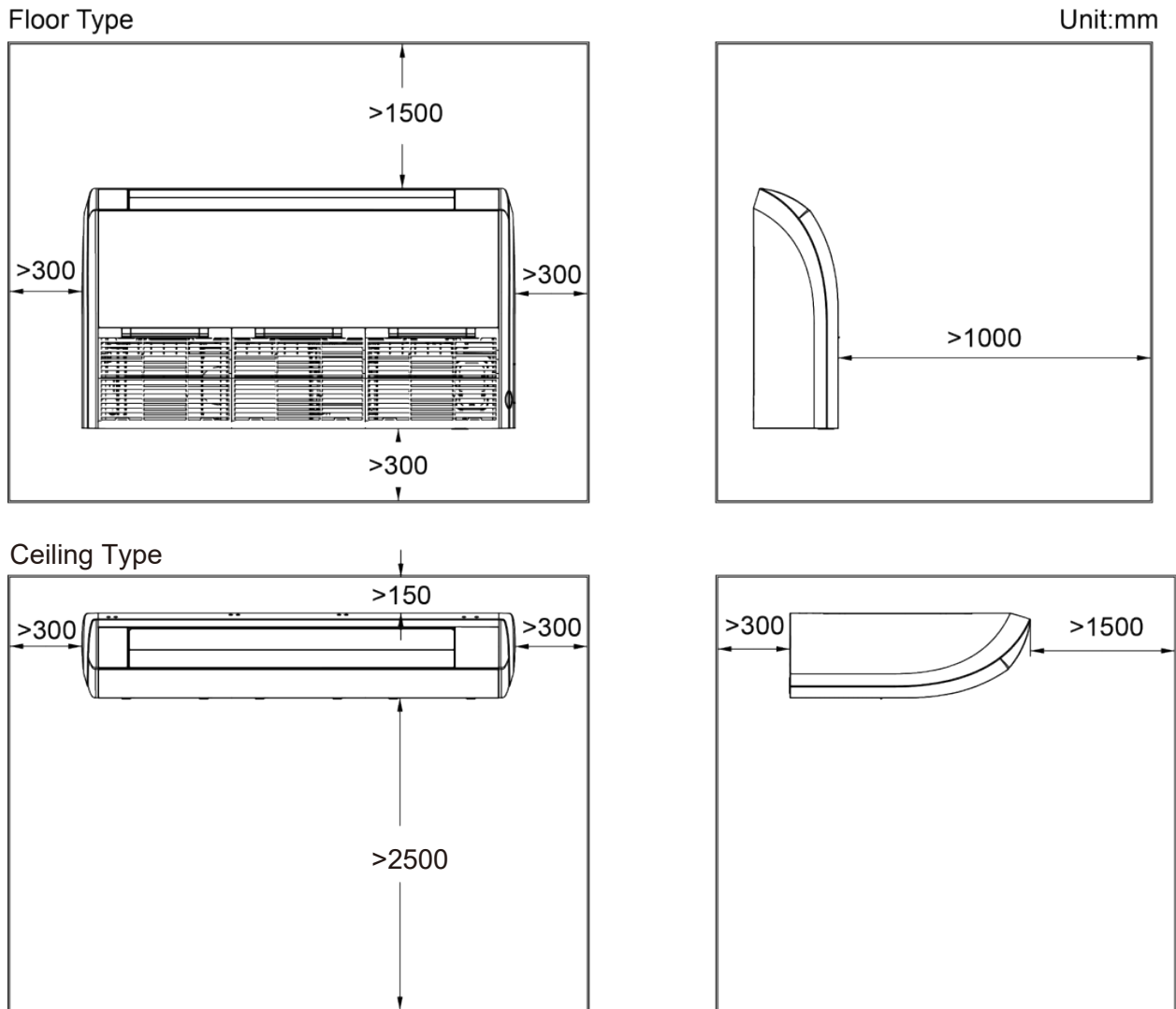


Fig. 2

- (4). Install the unit where the drain pipe can be easily installed.
- (5). The space from the unit to the ceiling should be kept as much as possible so as for more convenient service.

