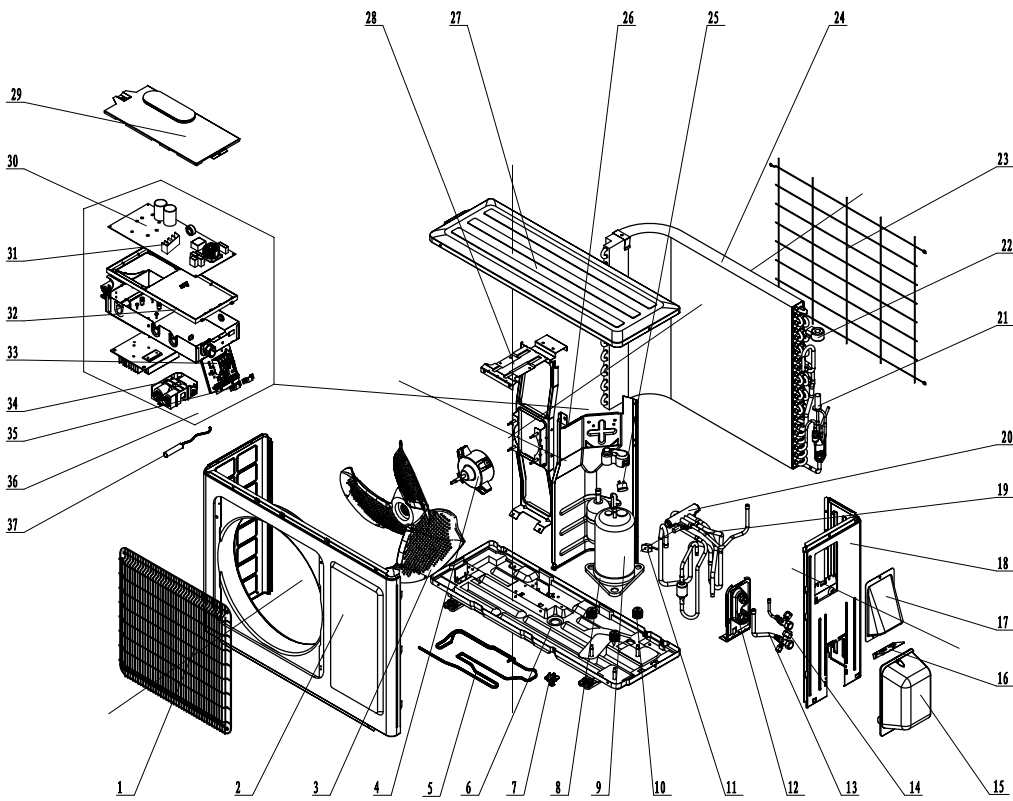


TOSOT Parts Diagram



| | |
|----|----------------------------------------|
| 37 | Temperature Sensor |
| 36 | Electric Box Assy |
| 35 | Wire Clamp |
| 34 | Capacitor Box Sub-Assy |
| 33 | Terminal Board |
| 32 | Electric Box I |
| 31 | Radiator |
| 30 | Main Board |
| 29 | Electric Box Cover Sub-Assy |
| 28 | Motor Support Spot Welding Sub-assy |
| 27 | Top Cover Plate |
| 26 | Clapboard Sub-Assy |
| 25 | Compressor Overload Protector(Eternal) |
| 24 | Condenser Assy |
| 23 | Rear Grill |
| 22 | Electric Expand Valve Fitting |
| 21 | Electronic Expansion Valve |
| 20 | 4-Way Valve |
| 19 | 4-Way Valve Assy |
| 18 | Right Side Plate |
| 17 | Cable Cross Plate 2 |
| 16 | Cable Cross Plate 1 |
| 15 | Valve Cover |
| 14 | Valve |
| 13 | Valve |
| 12 | Valve Support |
| 11 | Magnet Coil |
| 10 | Compressor Gasket |
| 9 | Compressor and Fittings |
| 8 | Electric Heater(Compressor) |
| 7 | Drainage Connector |
| 6 | Chassis Sub-assy |
| 5 | Electrical Heater |
| 4 | Fan Motor |
| 3 | Axial Flow Fan |
| 2 | Front Panel |
| 1 | Front Grill |