

Novatik  
NATURE | CLASSIC

Novatik  
NATURE | SLATE

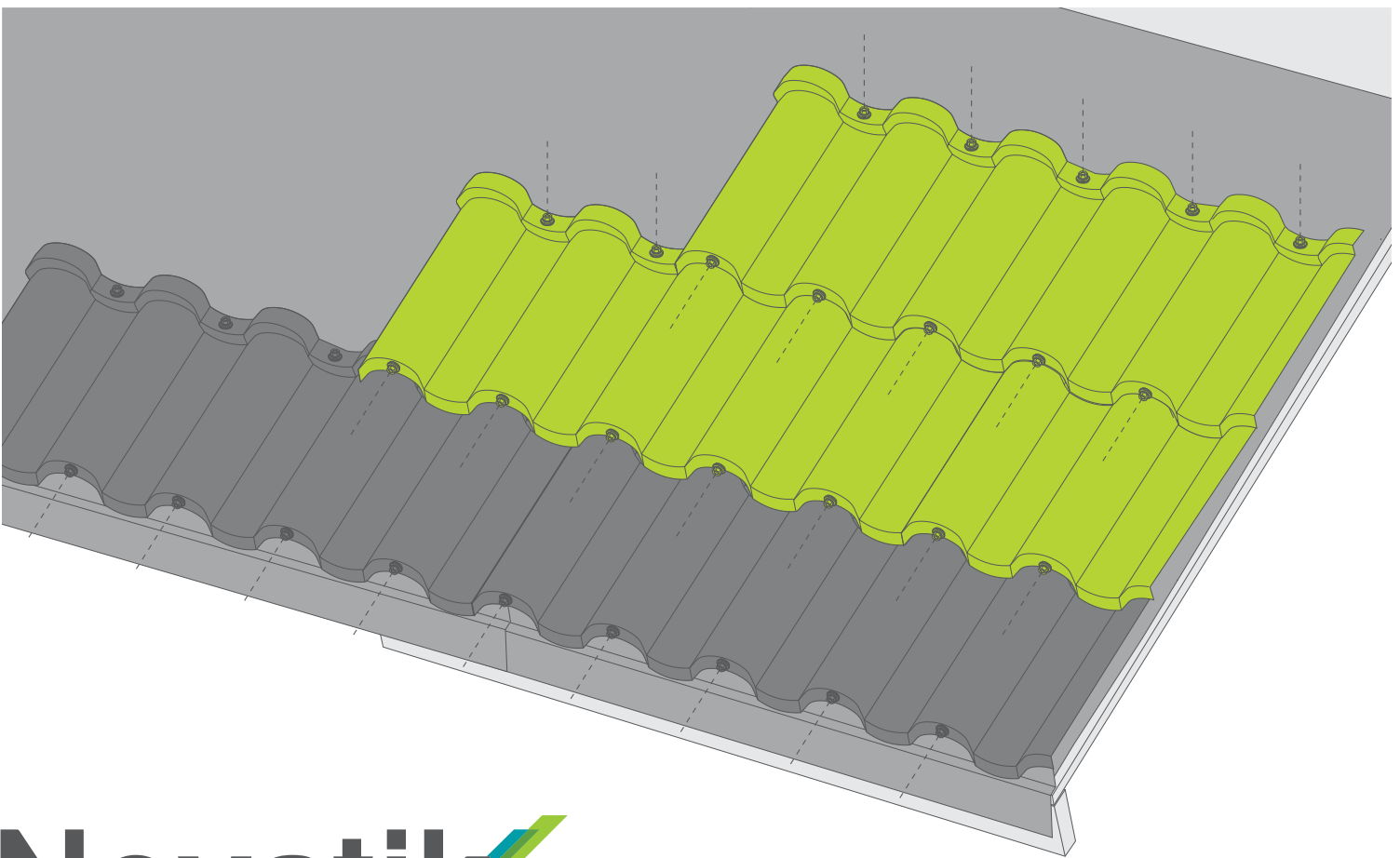
Novatik  
NATURE | WOOD

Novatik  
NATURE | ROMAN

Novatik  
NATURE | STONE

# INSTALLATION GUIDE

## DIRECT-TO-DECK



**Novatik**<sup>®</sup>

“A ROOF FOR NINE LIVES,  
GUARANTEED BY THE EXPERTS!”

NOVATIK.US

# TABLE OF CONTENTS

<b>1</b>	List of Accessories _____	3
<b>2</b>	List of Required Tools for Installation _____	4
<b>3</b>	Safety and other Statement _____	5
<b>4</b>	Eave flashing installation _____	6
<b>5</b>	Painted valleys installation _____	7
<b>6</b>	Stone coated valleys installation _____	8
<b>7</b>	Panels installation _____	9
<b>8</b>	Hips + ridges installation _____	10
<b>9</b>	Box barges installation _____	11
<b>10</b>	Side wall flashing installation _____	12
<b>11</b>	Wall flashing scribed installation _____	13
<b>12</b>	Notes _____	14

# List of Accessories

## Novatik® NATURE

### STONE COATED METAL ROOF ACCESSORIES

Novatik offers a complete range of roofing accessories. Installing accessories correctly ensures that the roof is weatherproof and properly ventilated, as well as more visually appealing.

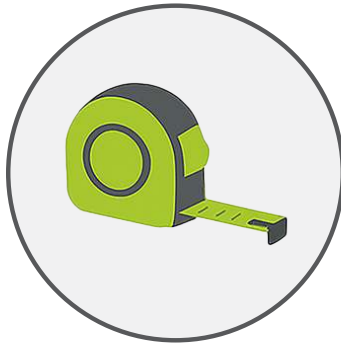


# LIST OF REQUIRED TOOLS FOR INSTALLATION

---



Soft-soled shoes  
(without metal inserts)



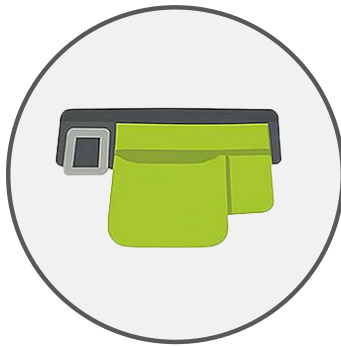
Measuring tape



Metal snips



Bender



Tool belt



Screw gun /  
cordless drill



Marker or pencil



Caulking gun



Silicone

# SAFETY AND OTHER STATEMENTS

---

## SAFETY STATEMENT

Safety must always come first. All installers should carefully review and follow applicable OSHA, state, and local safety requirements before and during any roofing installation.

## MATERIAL ESTIMATION

Estimation sheets are available for all Novatik product lines. Please contact your local Novatik representative for assistance in preparing takeoffs and calculations.

## ROOF SLOPE REQUIREMENTS

Novatik CF roofing systems are designed for roof slopes of **2:12 (9.5°) or greater**. Roofs with slopes less than 2:12 (9.5°) are considered decorative only and must be installed over a permanent waterproofing membrane that complies with local building codes.

## STORAGE

Panels should always be stored in a dry, covered location prior to installation to protect them from moisture and damage.

## IMPORTANT NOTES

- **Dissimilar metals:** Materials such as lead, copper, and other incompatible metals must not come into contact with Novatik products or leach onto them.
- **Treated lumber:** Do not use pressure-treated wood (decking or battens) in conjunction with Novatik products.
- **Fire-retardant chemicals:** Roof decks or battens treated with copper- or silver-based fire retardants are not compatible with Novatik panels.

## CODE APPROVALS

Please consult your local **Authority Having Jurisdiction (AHJ)** to verify applicable codes, approvals, and additional requirements before installation. For official Novatik documentation — including technical reports and installation details — contact your Novatik representative.

## CONSTRUCTION DETAILS

**Underlayment: we recommend using high-temperature underlayment**

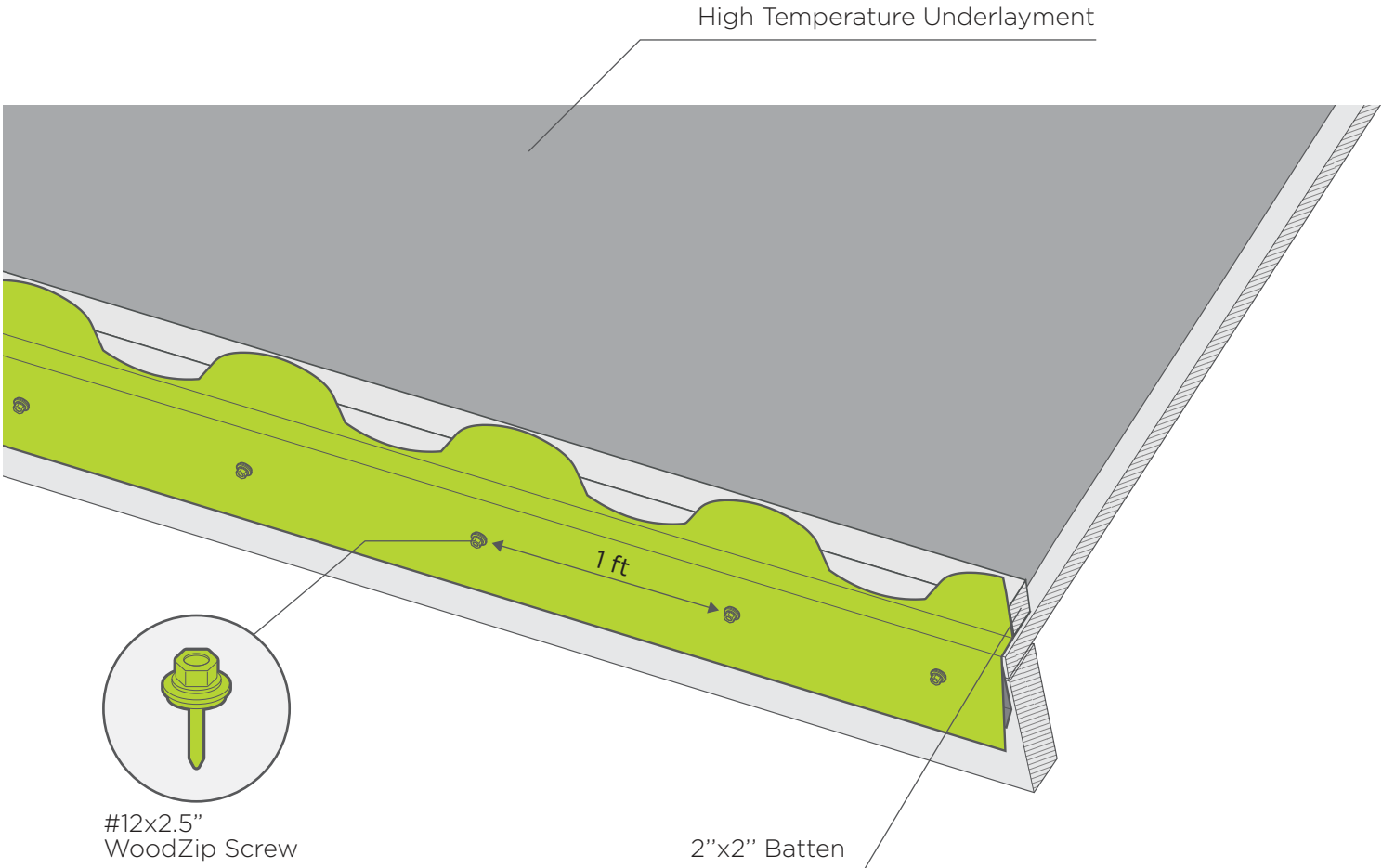
### Cutting Panels

Panels may be cut with a **cold-cut circular saw** or other non-abrasive cutting tools. Do not use abrasive blades, as they may damage the protective coating.

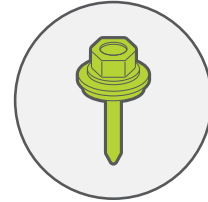
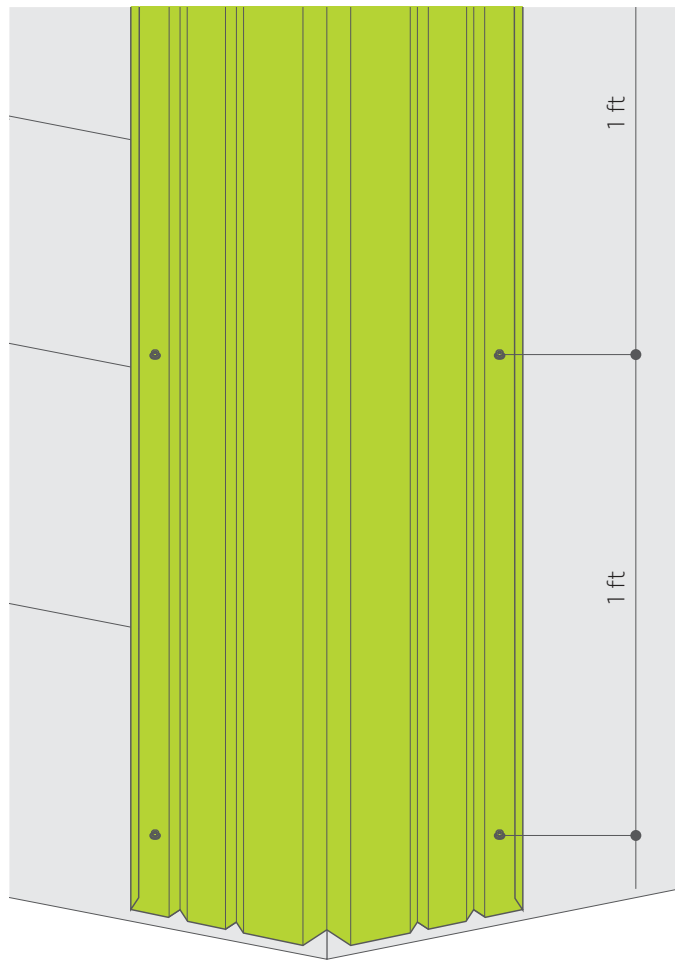
## CODE APPROVALS

Before installation, confirm code compliance with your local **Authority Having Jurisdiction (AHJ)**. For official Novatik documentation — including evaluation reports and installation details — contact your Novatik representative.

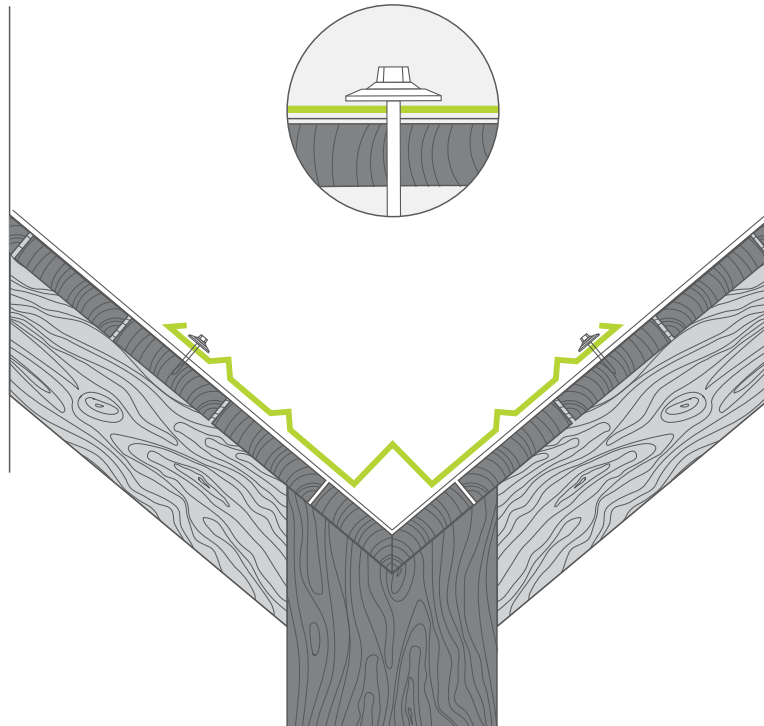
# EAVE FLASHING INSTALLATION



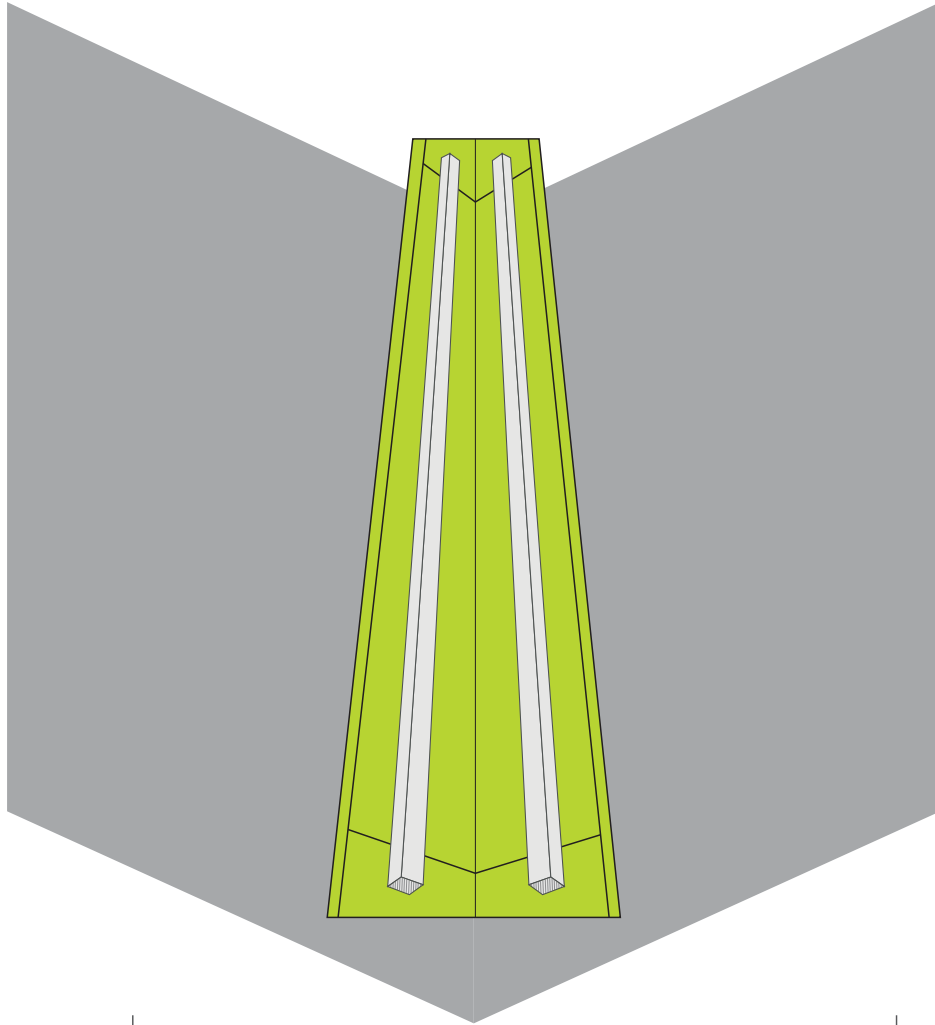
# PAINTED VALLEYS INSTALLATION



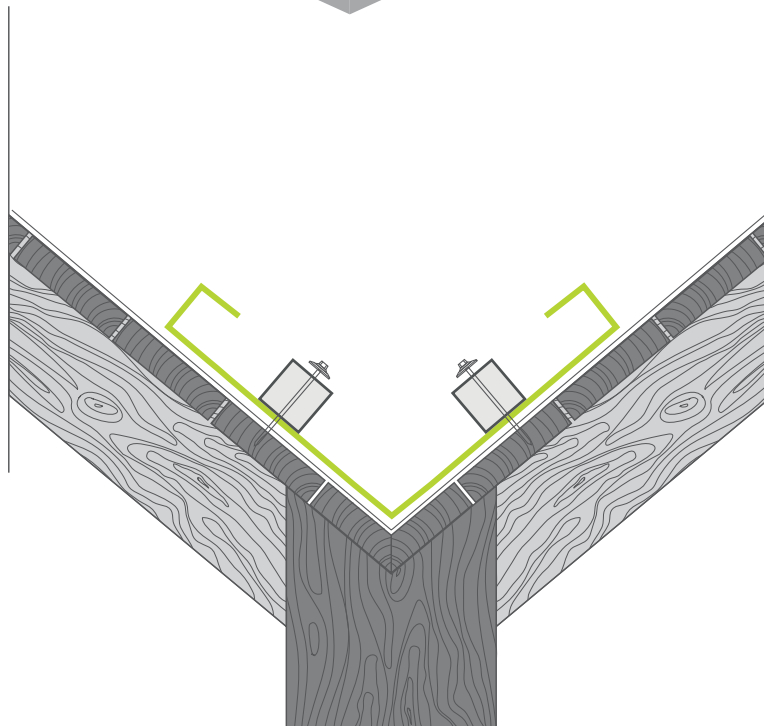
#12x2.5"  
WoodZip Screw



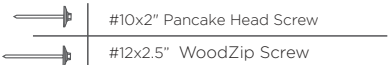
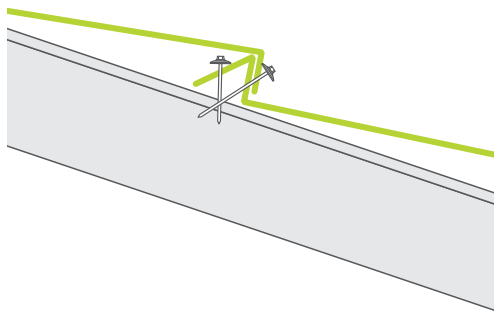
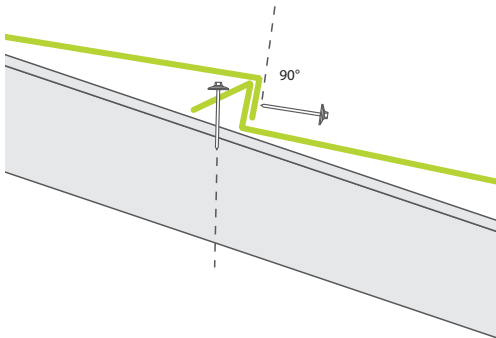
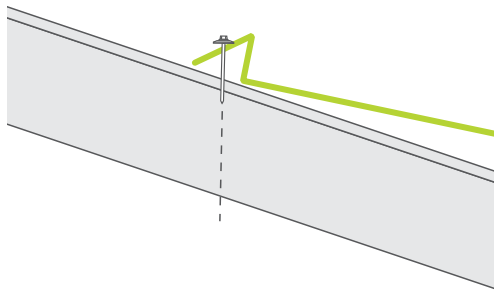
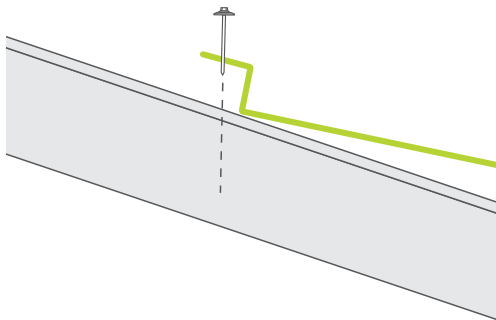
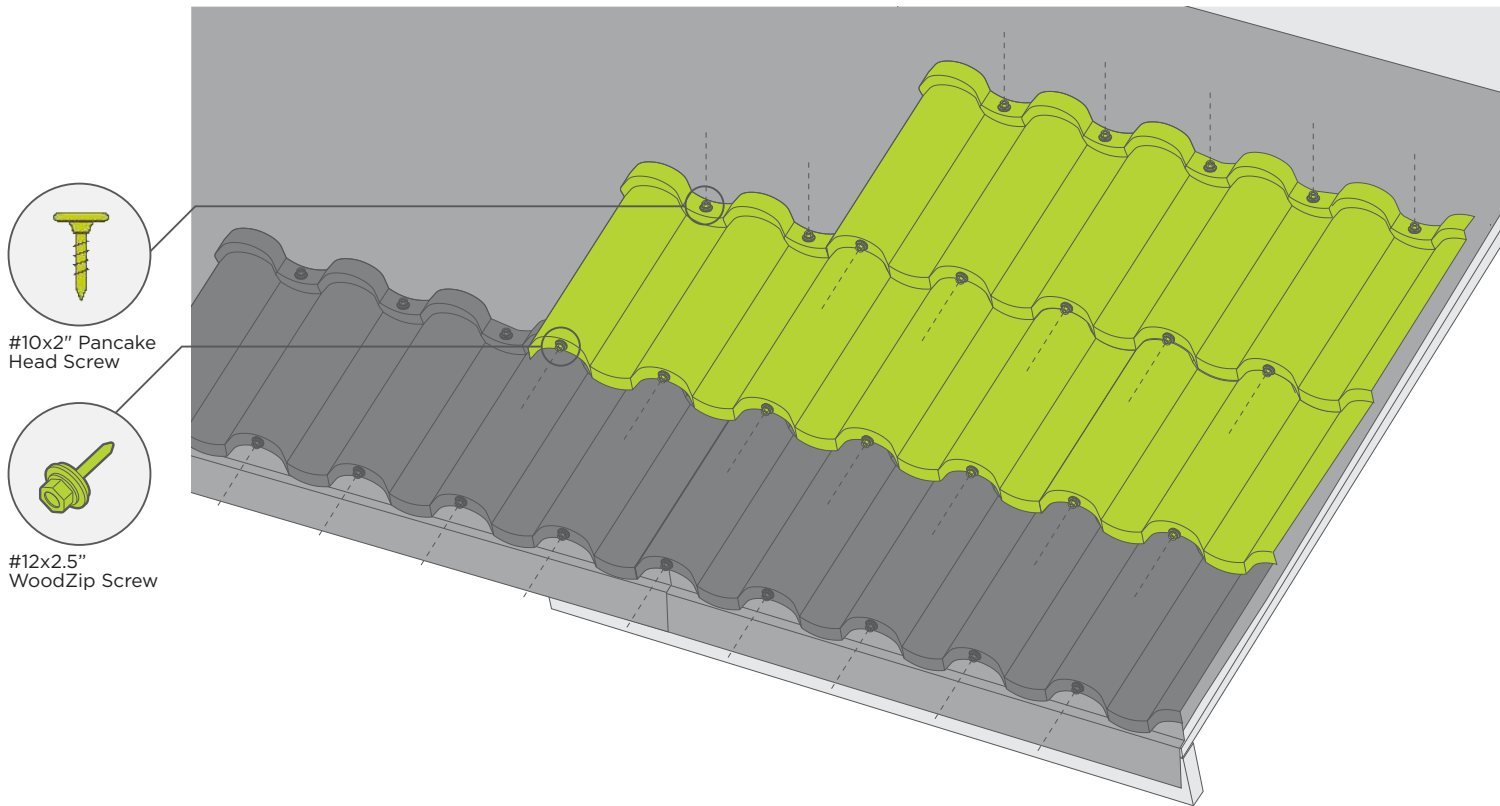
# STONE COATED VALLEYS INSTALLATION



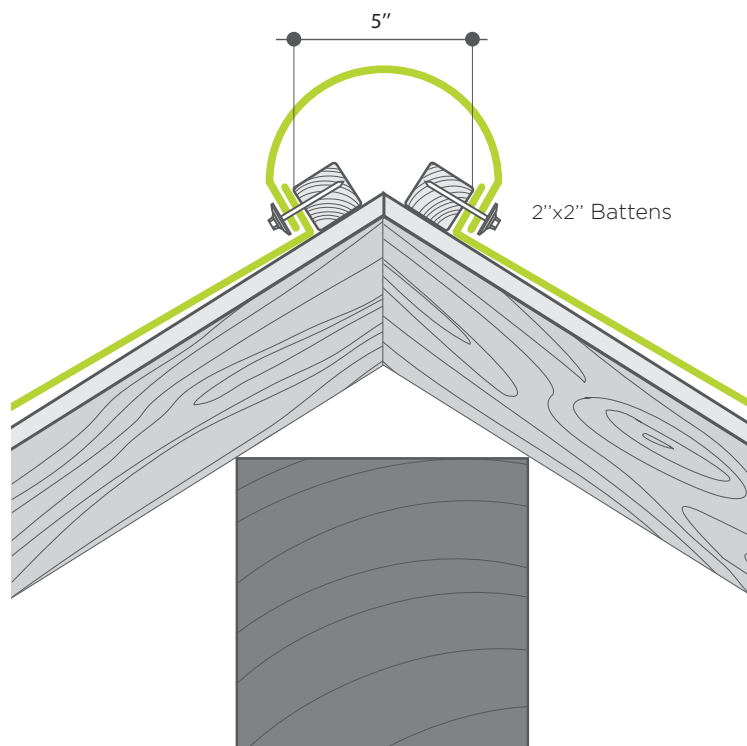
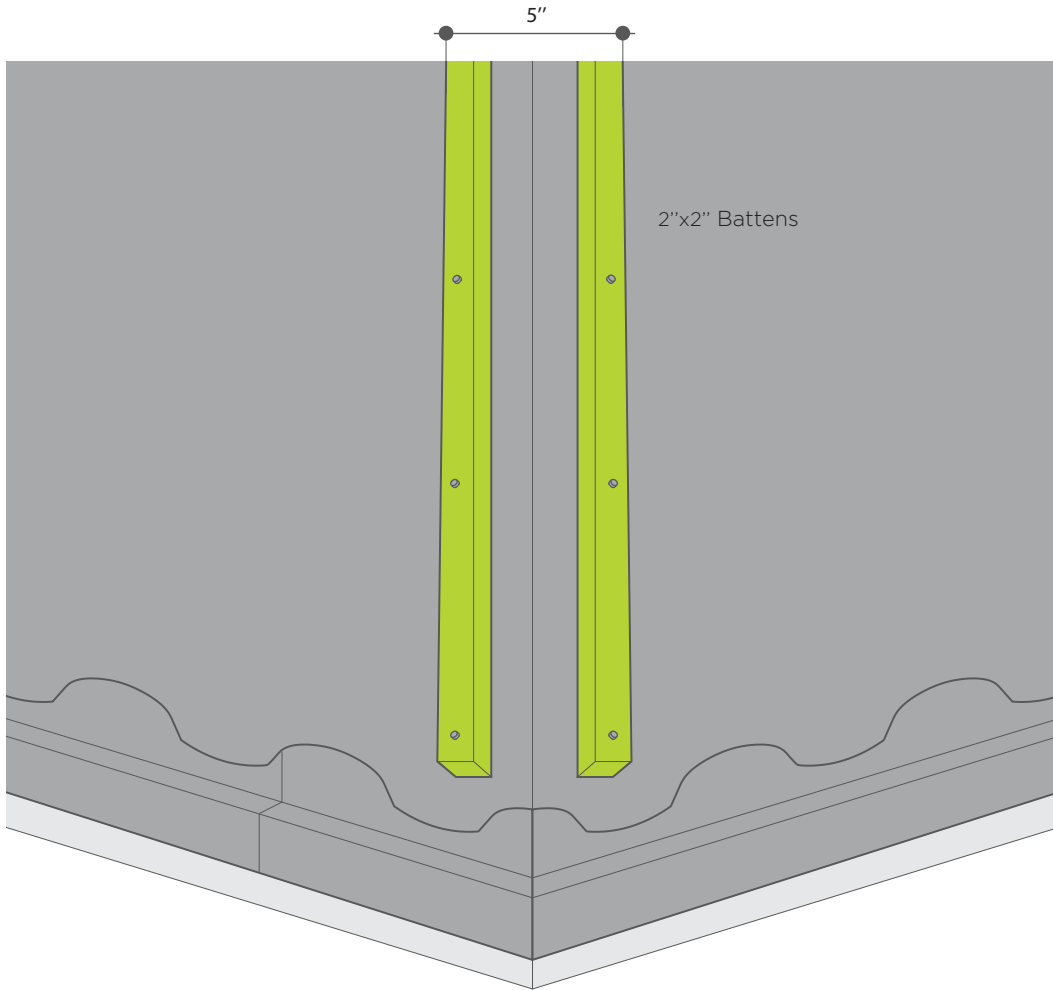
#12x2.5"  
WoodZip Screw



# PANELS INSTALLATION

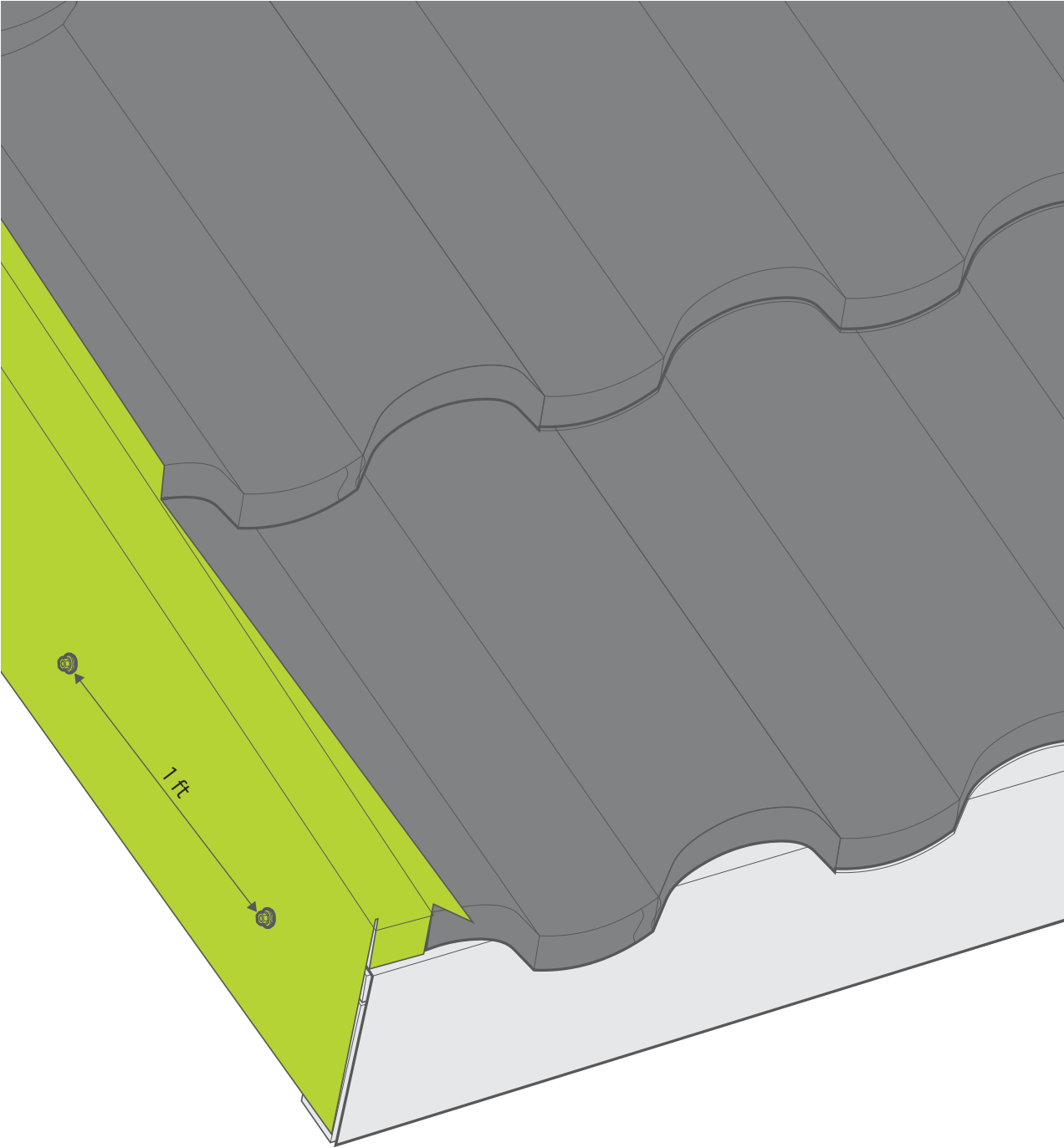


# HIPS + RIDGES INSTALLATION

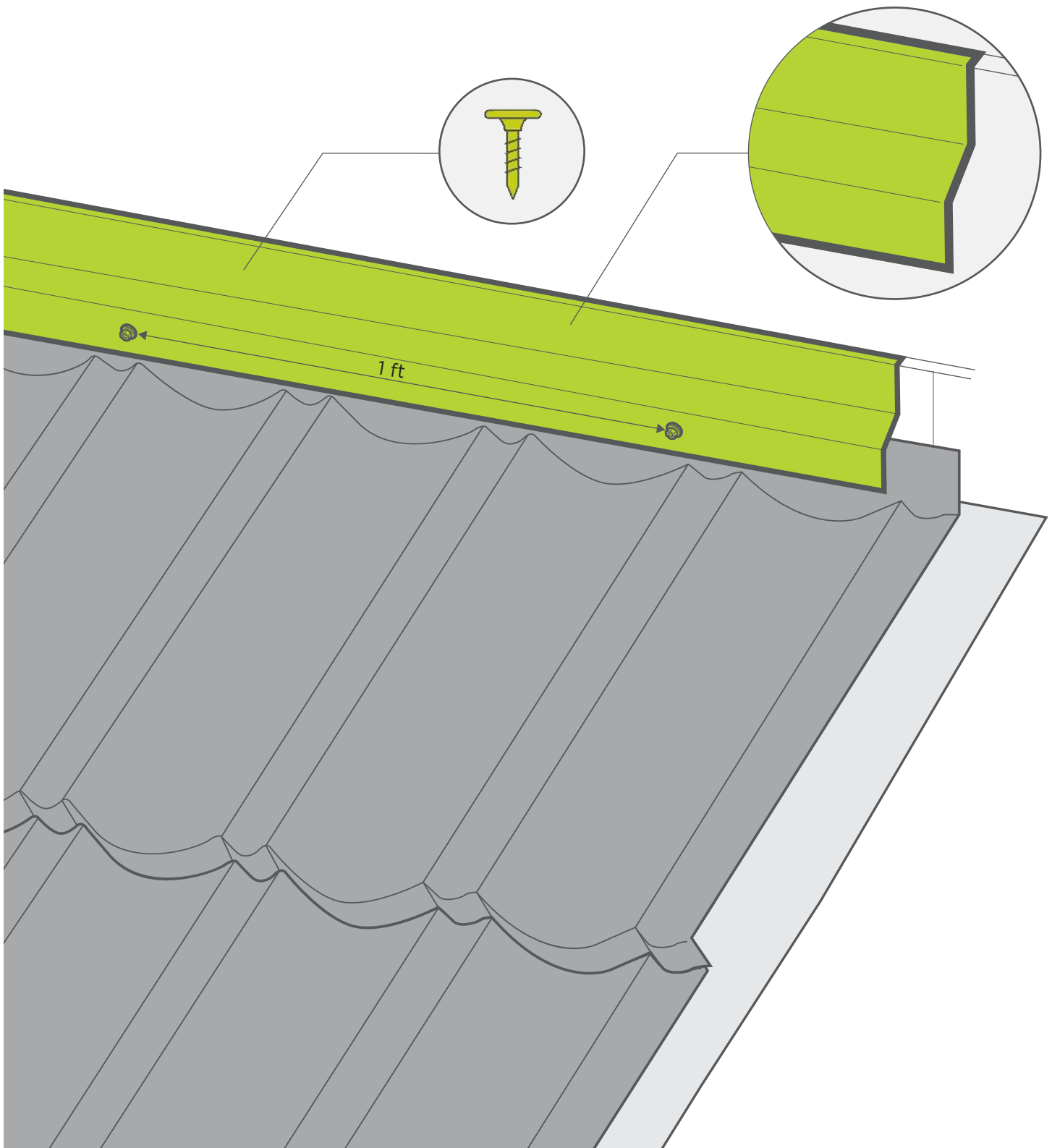


# BOX BARGES INSTALLATION

---



# SIDE WALL FALSHING INSTALLATION



# WALL FLASHING SCRIBED INSTALLATION

