

Quarter-Turn Medium Product Data Sheet

ALCATRAZ[®]
I N T E R L O C K S

Alcatraz Doc. No.: ALC-PDS-QLM-01

Rev.: 1

Status: Final

Date: 20-03-2026

Vendor Document Nr.: ALC-PDS-QLM-01

Product Data Sheet Integral Interlocks

QLM Quarter-Turn Lock Medium



1	20-03-2026	CY	DK	HB	Final
Rev	Date	Originator	Reviewed	Approved	Description
		Alcatraz	Alcatraz	Alcatraz	

Quarter-Turn Medium Product Data Sheet



Alcatraz Doc. No.: ALC-PDS-QLM-01

Rev.: 1

Status: Final

Date: 20-03-2026

INDEX:

1. Product Standard Features.....	3
2. Data Sheet DQLM (Double Keyed).....	4
3. QLM Exploded view.....	5
4. GAD: QL-Medium (Double Keyed).....	6
5. GAD: QL-Medium (Single Key Open)	7
6. GAD: QL-Medium (Single Key Closed).....	8
7. Summary of our Safety Integrity Steps	9

Quarter-Turn Medium Product Data Sheet

ALCATRAZ[®]
I N T E R L O C K S

Alcatraz Doc. No.: ALC-PDS-QLM-01

Rev.: 1

Status: Final

Date: 20-03-2026

1. PRODUCT STANDARD FEATURES

QLM Features

- Intergraded 90-degree end stops
- Ergonomic lever
- Mechanically programmed key codes
- IP-64 Encapsulated Key & LP
- Bespoke nameplate / tagging
- Compact design
- Tamperproof mounted solutions
- Interlocked open / closed position
- Alcatraz 5 step safety integrity design

Operational Keys

- Mechanically programmed keys
- Unique coding assigned
- Bespoke nameplate / tagging
- ASTM E208 25 metre drop test approved
- Encapsulated key housing

Installation

- Cold work permit for installation
- No modification to host equipment
- Bespoke mounting bracket to suit host application
- Bespoke drive bush adaptor to suit host application
- Tamperproof fixings used throughout

A **QLM** interlock can be mounted onto all host valves with a valve stem flat to flat dimension <20mm

Above these sizes a M or L solution would be the suited Alcatraz application.

Supplied in various Locking configurations

- **DK** Double Keyed
- **LO** Locked Open Only
- **LC** Locked Closed Only

Key Options

- Alcatraz can supply the following key options.
- **Replacement** key kit
- **Spare** key
- **Group** key
- **Master** key
- **Commissioning** key

All the above are suitable for our complete product range.

- **Group key**
Would be used within a dedicated zone, system, or process.
- **Master Key**
Allows an end client to operate regardless to product type, process logic, situation the full Alcatraz range.
- **Commissioning Key**
Used during the construction / commissioning phase of a project. Ensuring the programmed sequence logic does not interfere with steam blowing, flushing or leak testing activities.

Quarter-Turn Medium Product Data Sheet



Alcatraz Doc. No.: ALC-PDS-QLM-01

Rev.: 1

Status: Final

Date: 20-03-2026

2. DATA SHEET QLM

Dimensions QLM

Dimension	
Length (mm)	163
Width (mm)	122
Height (mm)	100
Mass of Interlock (kg)*	2,82
Lever sizes	200 / 300mm
Bespoke Options	
Max. valve stem width (mm)	20,00
Bespoke solutions possible	
Max. valve stem length (mm)	35,00
Bespoke solutions possible	

Certificate & Standards

Certificate & Standards	
Product Material Cert.*	2.1
Fire Test	ANSI / API 607
ISO	ISO 9001 2015
TUV	EU Machinery Directive 2006/42/EC
IP Rating	IP64

* 2.2 & 3.1 material certificate available upon request

Material Grades

Material Grades	
Interlock housing	SS 316L
Internal Components	SS 316L
Operational Key	SS 316L
Lock Portion	SS 316L
Material Surface Finish	ASTM B912-02 ISBN 978-2-87997-310-4
Bracket	SS 316L
Adaptor	SS 316L
Lever	SS 316L
Lever Cover	PVC Ral: 2010 Orange
Tag plates	RESOPAL®
Atex	EU 2014/34/EU Atex Declaration of Conformity

* AISI 316L hand wheels in process of superseding Carbon

Quarter-Turn Medium Product Data Sheet

ALCATRAZ[®]
I N T E R L O C K S

Alcatraz Doc. No.: ALC-PDS-QLM-01

Rev.: 1

Status: Final

Date: 20-03-2026

3. QLM EXPLODED VIEW

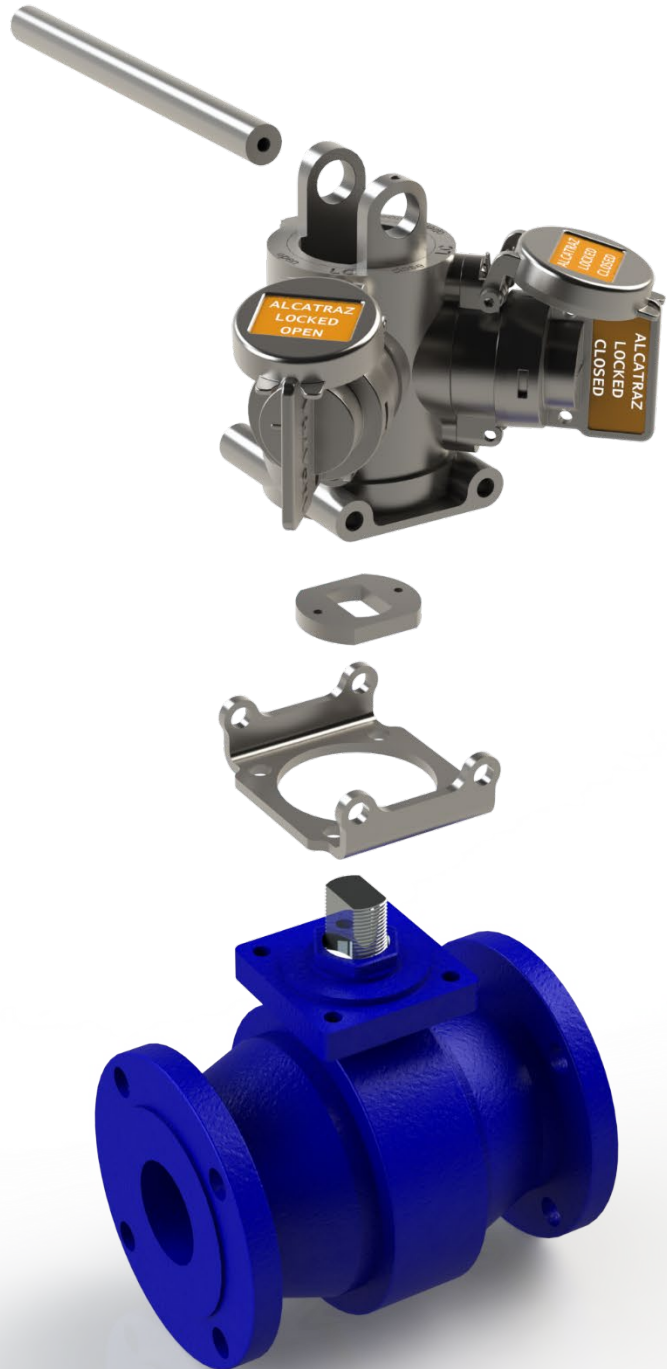
Lever

Interlock & Lock Portions

Bespoke Adaptor

Bespoke Bracket

Host Valve



Quarter-Turn Medium Product Data Sheet

ALCATRAZ[®]
INTERLOCKS

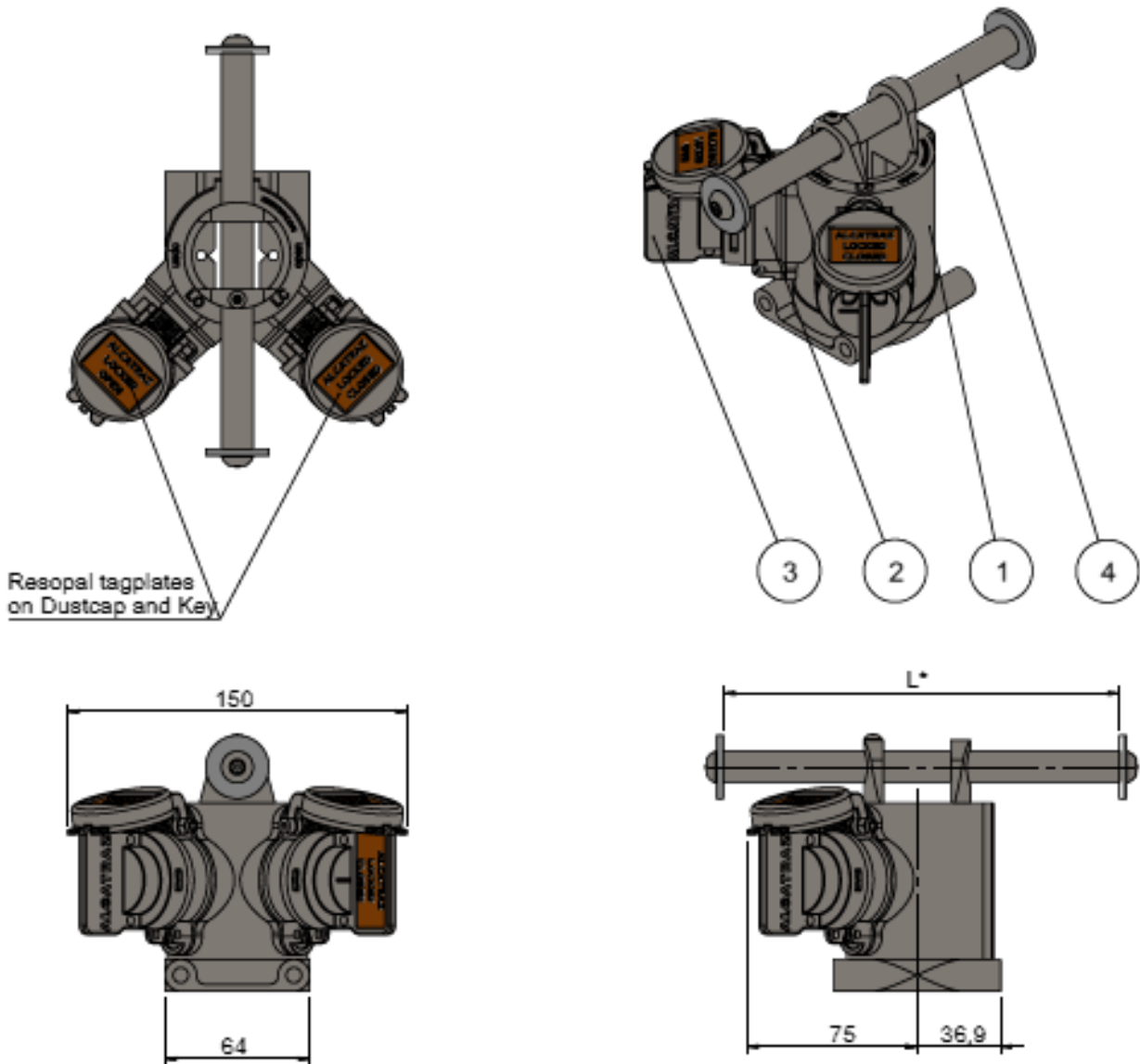
Alcatraz Doc. No.: ALC-PDS-QLM-01

Rev.: 1

Status: Final

Date: 20-03-2026

4. GAD: QL-MEDIUM (DOUBLE KEYED)



Bill Of Materials		
Pos	Description	Material
1	Multi-turn main unit	SS 316 – Electro Polished
2	Lock portion including dust cap	SS 316 – Electro Polished
3	Key	SS 316 – Electro Polished
4	Lever	SS 316
*	Lever lengths L standardly supplied 200 / 300 & Bespoke	

Quarter-Turn Medium Product Data Sheet

ALCATRAZ[®]
INTERLOCKS

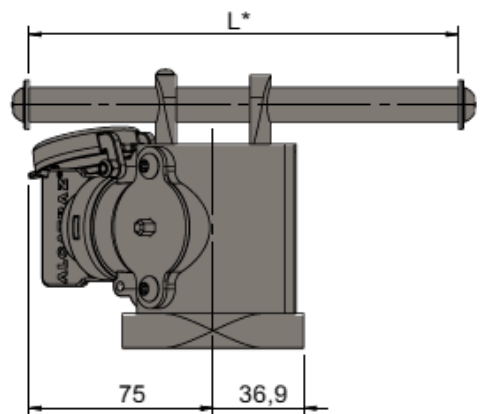
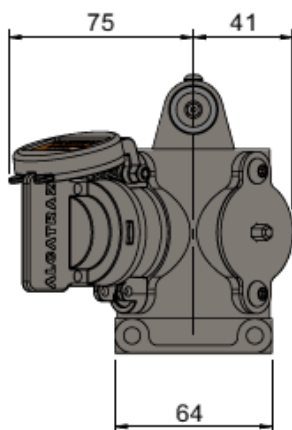
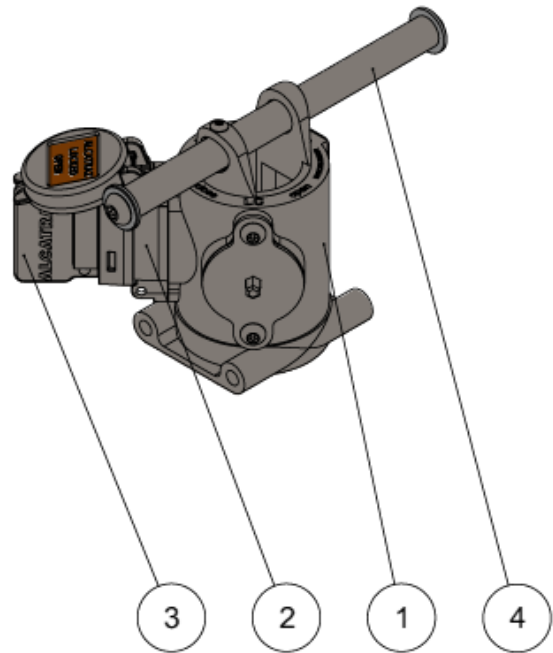
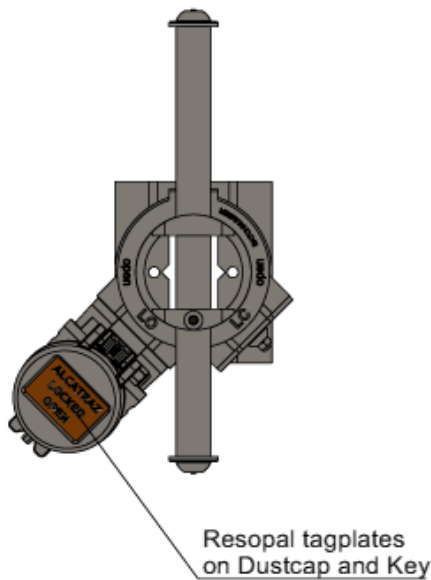
Alcatraz Doc. No.: ALC-PDS-QLM-01

Rev.: 1

Status: Final

Date: 20-03-2026

5. GAD: QL-MEDIUM (SINGLE KEY OPEN)



Bill Of Materials

Pos	Description	Material
1	Multi-turn main unit	SS 316 – Electro Polished
2	Lock portion including dust cap	SS 316 – Electro Polished
3	Key	SS 316 – Electro Polished
4	Lever	SS 316
*	Lever lengths L standardly supplied 200 / 300 & Bespoke	

Quarter-Turn Medium Product Data Sheet

ALCATRAZ[®]
I N T E R L O C K S

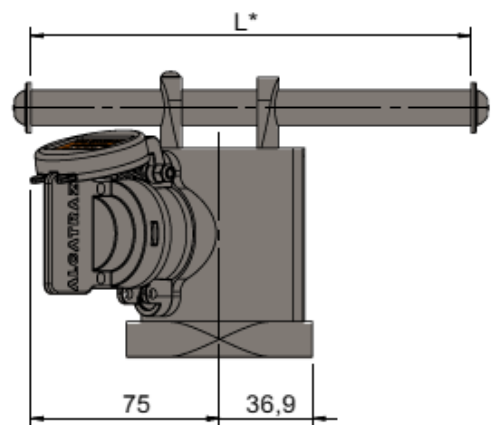
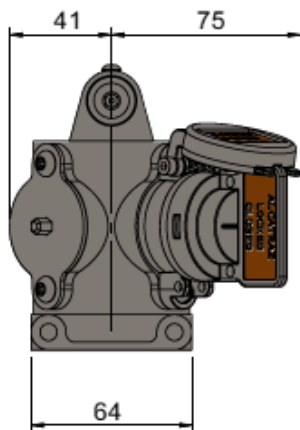
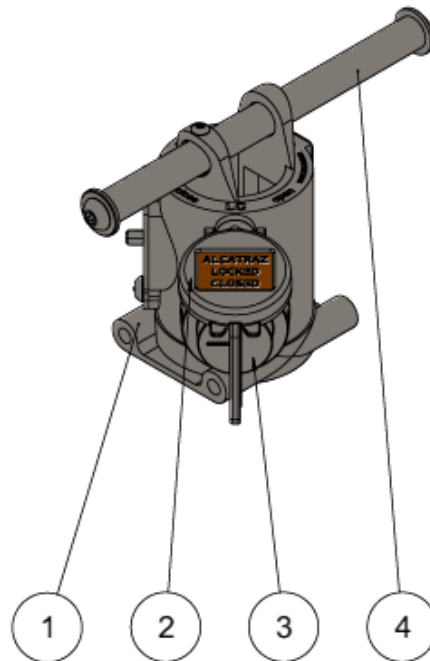
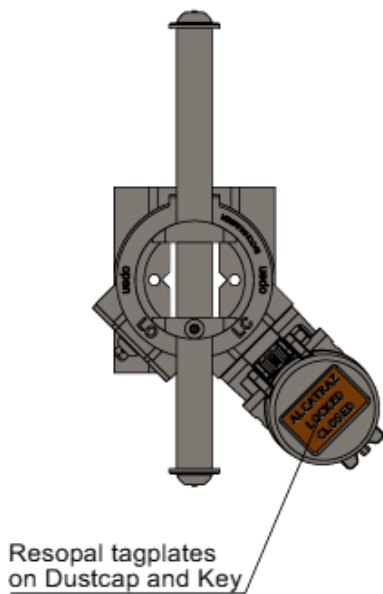
Alcatraz Doc. No.: ALC-PDS-QLM-01

Rev.: 1

Status: Final

Date: 20-03-2026

6. GAD: QL-MEDIUM (SINGLE KEY CLOSED)



Bill Of Materials

Pos	Description	Material
1	Multi-turn main unit	SS 316 – Electro Polished
2	Lock portion including dust cap	SS 316 – Electro Polished
3	Key	SS 316 – Electro Polished
4	Lever	SS 316
*	Lever lengths L standardly supplied 200 / 300 & Bespoke	

Quarter-Turn Medium Product Data Sheet



Alcatraz Doc. No.: ALC-PDS-QLM-01

Rev.: 1

Status: Final

Date: 20-03-2026

7. SUMMARY OF OUR SAFETY INTEGRITY STEPS

Alcatraz Integrity Step	Action	Purpose
Step 1	Insert operational key into key lock portion (LP) in a linear action	First stage linear action, to confirm the Mechanically Programmed Key Codes
Step 2	Rotation of engaged operational key within lock portion (LP)	Second stage action, to engage or disengage the internal interlock input driveshaft & lock finger
Step 3	Operational key encapsulates Lock Portion (LP) housing	Ensuring zero ingress or contamination into the Lock Portion coding (LP)
Step 4	Key Lock Portion (LP) separates & seals lock body from any external ingress and product tampering	An extra level of defence & separation between lock portion and interlock housing internal workings. No access / zero possibility to override internal lock workings or have exposure to ingress / contamination
Step 5	Two moving parts. Intergraded 90-degree end stops ISO footprint connection possibilities between Interlock & its mated valve	Minimization of moving parts Valve protection with intergraded ninety-degree end stops built within actual lock housing. Tamperproof mounting solution including fixation screws.

Alcatraz Mechanical Coded Key Interlock devices are in accordance to
TUV EN ISO 14119:2013 Type-2 B.2
Machine Safety Directive