

ALCATRAZ[®]

I N T E R L O C K S

Vendor Document Nr.: ALC-PDS-SBL-0001


Product Data Sheet

Single Bolt lock

SBL Single Bolt Lock



4	11-05-2026	CY	DK	HB	Final
Rev	Date	Originator	Reviewed	Approved	Description
		Alcatraz	Alcatraz	Alcatraz	

<h1 style="margin: 0;">Single Bolt Lock</h1> <h2 style="margin: 0;">Product Data Sheet</h2>		
	Alcatraz Doc. No.: ALC-PDS-SBL-0001	
	Rev.: 4	Status: Final
	Date: 11-05-2026	

Index:

1. Product Standard Features.....	3
2. Product Data Sheet	4
3. Exploded view	5
4. SBL General Arrangement drawing	6
5. Summary Of Safety Integrity Steps.....	7

Single Bolt Lock Product Data Sheet



Alcatraz Doc. No.: ALC-PDS-SBL-0001

Rev.: 4

Status: Final

Date: 11-05-2026

1. PRODUCT STANDARD FEATURES

SBL Features

- Machined AISI 316 body
- Mechanically programmed key codes
- Encapsulated lock portion preventing ingress & contamination
- Bespoke nameplate / tagging
- Compact ergonomic modular design

- Tamperproof mounted solutions
- Interlocked Bolt Lock open / closed position
- Alcatraz 5 step safety integrity design

Operational Keys

- Mechanically programmed keys
- Unique coding assigned
- IP64 Encapsulated key housing

- IP64 Encapsulated Lock Portion
- TUV Machine Directive Key & Lock Portion
- ASTM E208 25 metre drop test approved
- Bespoke nameplate / tagging

- Electro Polished Surface finished

Installation

- Cold work permit for installation
- No modification to host equipment
- Bespoke mounting bracket to suit host application
- Tamperproof fixings used throughout

A **SBL** lock can be used on various industrial applications. It has a compact ergonomic modular design suitable for isolating electrical switchgear, industrial switches, mechanical doors, gates, handles and various other process applications.

For bespoke mounting solutions. Alcatraz would design the needed solution to suit your application needs.

Key Options

- Alcatraz can supply the following key options.

- **Replacement** key kit
- **Spare** key
- **Group** key
- **Master** key

- **Commissioning key**
All the above variants are suitable for our complete product range.

- **Group key**
Would be used within a dedicated zone, system, or process.

- **Master Key**
Allows an end client to operate regardless of product type, process logic, situation the full Alcatraz range.

- **Commissioning Key**
Used during the construction / commissioning phase of a project.

Single Bolt Lock Product Data Sheet



Alcatraz Doc. No.: ALC-PDS-SBL-0001

Rev.: 4

Status: Final

Date: 11-05-2026

2. PRODUCT DATA SHEET

Dimensions SBL			Certificate & Standards	
Dimension			Certificate & Standards	
Length	(mm)	84	Product Material Cert.*	2.1
Width	(mm)	50	Fire Test	ANSI / API 607
Height	(mm)	91	ISO	ISO 9001 2015
Mass of interlock	(g)*	1290	TUV	EU Machinery Directive 2006/42/EC
Bolt Pin In	(mm)	-		
Bolt Pin Out	(mm)	20	IP Rating	IP64
Bolt Pin Dia	(Ø)	16		
* Not including bracket, adaptor & hand wheel			* 2.2 & 3.1 material certificate available upon request	
Material Grades				
Material Grades				
Interlock housing	SS 316L			
Internal Components	SS 316L			
Operational Key	SS 316L			
Lock Portion	SS 316L			
Material Surface Finish	ASTM B912-02 ISBN 978-2-87997-310-4			
Bracket	SS 316L			
Adaptor	SS 316L			
Tag plates	RESOPAL®			
Atex	EU 2014/34/EU Atex Declaration of Conformity			

Single Bolt Lock Product Data Sheet

ALCATRAZ[®] INTERLOCKS

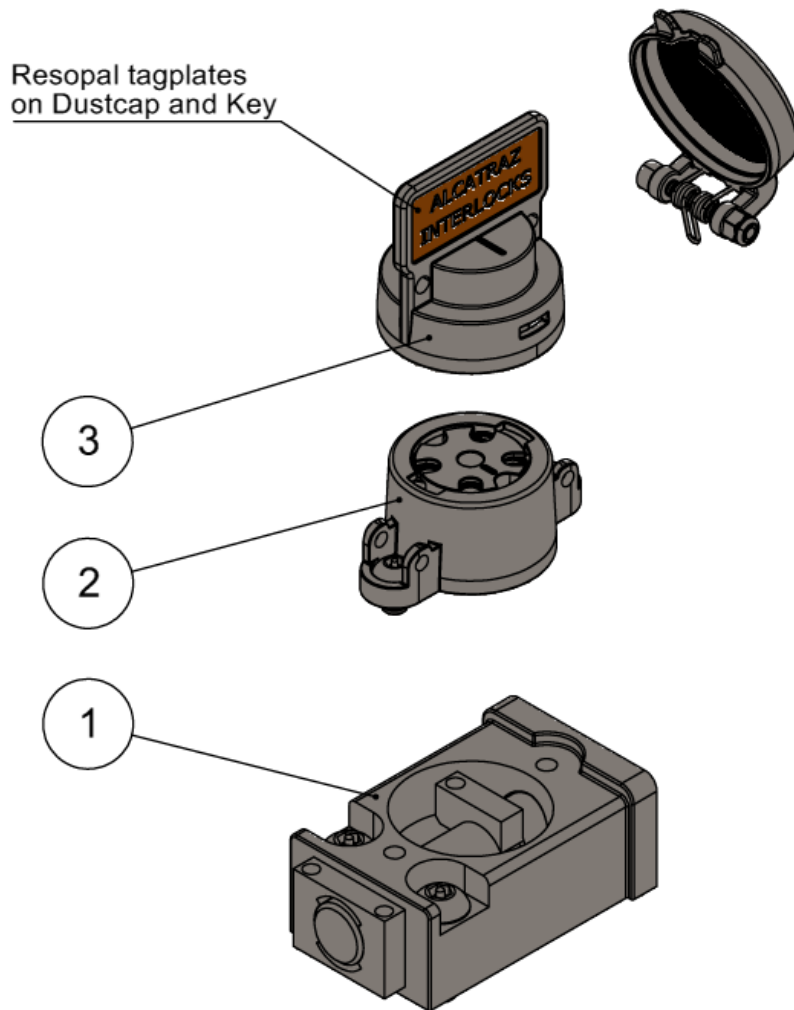
Alcatraz Doc. No.: ALC-PDS-SBL-0001

Rev.: 4

Status: Final

Date: 11-05-2026

3. EXPLODED VIEW



Bill Of Materials

Pos	Description	Material
1	Double Bolt-lock main unit housing	SS 316 – Electro Polished
2	Lock portion including dust cap	SS 316 – Electro Polished
3	Keys	SS 316 – Electro Polished

Single Bolt Lock Product Data Sheet

ALCATRAZ[®] INTERLOCKS

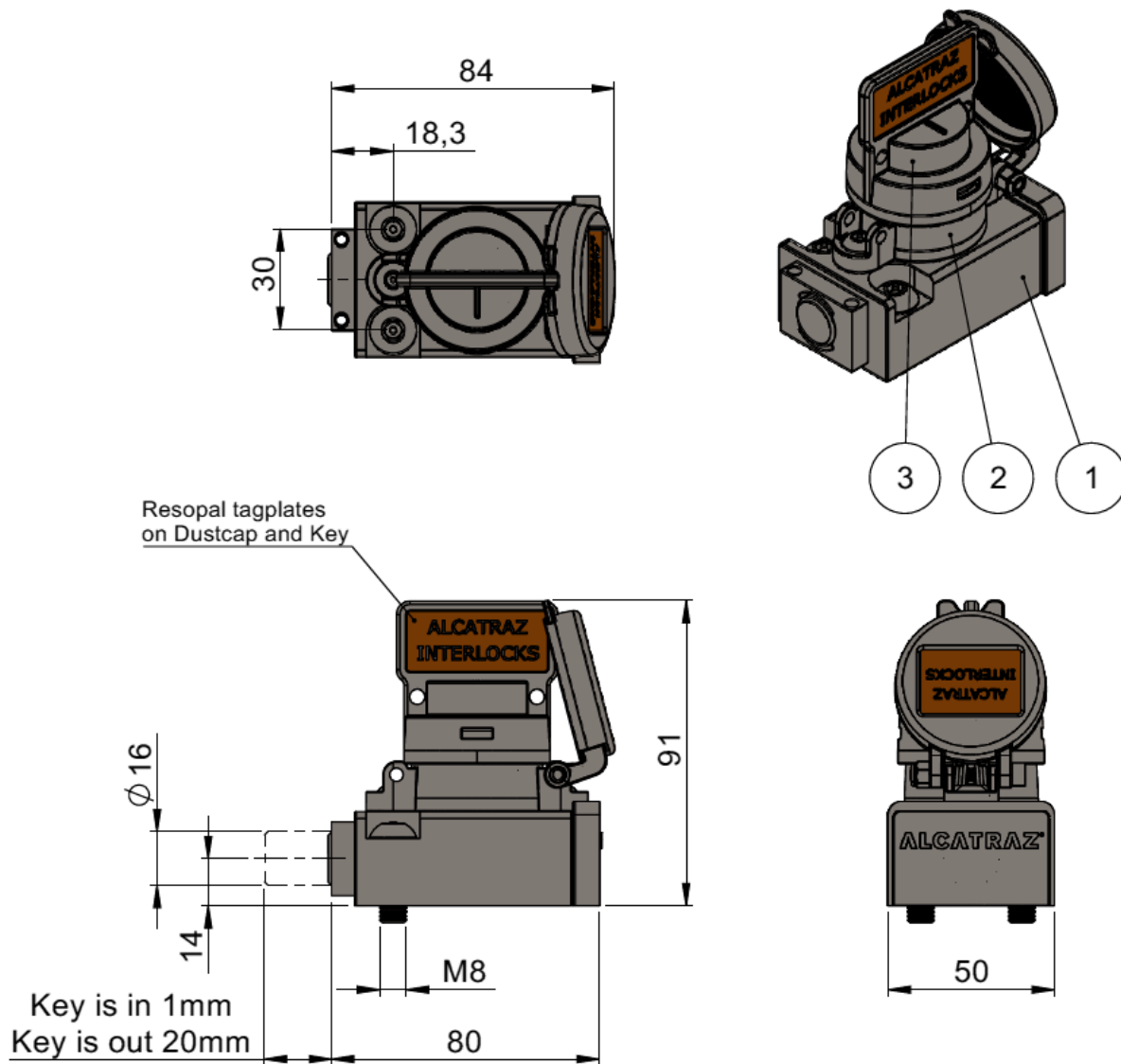
Alcatraz Doc. No.: ALC-PDS-SBL-0001

Rev.: 4

Status: Final


Date: 11-05-2026

4. SBL GENERAL ARRANGEMENT DRAWING



Bill Of Materials

Pos	Description	Material
1	Bolt-lock main unit	SS 316 – Electro Polished
2	Lock portion including dust cap	SS 316 – Electro Polished
3	Key	SS 316 – Electro Polished

<h2 style="color: #E67E22;">Single Bolt Lock</h2> <h3 style="color: #34495E;">Product Data Sheet</h3>		
	Alcatraz Doc. No.: ALC-PDS-SBL-0001	
	Rev.: 4	Status: Final
	Date: 11-05-2026	

5. SUMMARY OF SAFETY INTEGRITY STEPS

Alcatraz Integrity Step	Action	Purpose
Step 1	Insert operational key into key lock portion (LP) in a linear action	First stage linear action, to confirm the Mechanically Programmed Key Codes
Step 2	Rotation of engaged operational key within lock portion (LP)	Second stage action, to engage or disengage the internal bolt lock pin.
Step 3	Operational key encapsulates Lock Portion (LP) housing	Ensuring zero ingress or contamination into the Lock Portion coding (LP)
Step 4	Lock Portion (LP) separates & seals lock body from any external ingress and product tampering	<p>An extra level of defence & separation between lock portion and interlock housing internal workings.</p> <p>No access / zero possibility to override internal lock workings or have exposure to ingress / contamination.</p>
Step 5	Dedicated mounting footprint intergraded into housing.	<p>Robust mechanical connection whereby operating forces are evenly shared across the housing and host surface.</p> <p>Tamperproof fixing materials, prevents uncontrolled removal and overriding possibilities.</p>

Alcatraz Mechanical Coded Key Interlock devices are in accordance with EU Machinery Directive 2006/42/EC