



Maximum Efficiency
≥ 99.03%



Smart String Level
Disconnection (SSLD)



Smart Self Cleaning
Fan (SSCF)



Smart IV Curve
Diagnosis Supported



Smart Connector-level
Detection (SCLD)



IP66
Protection



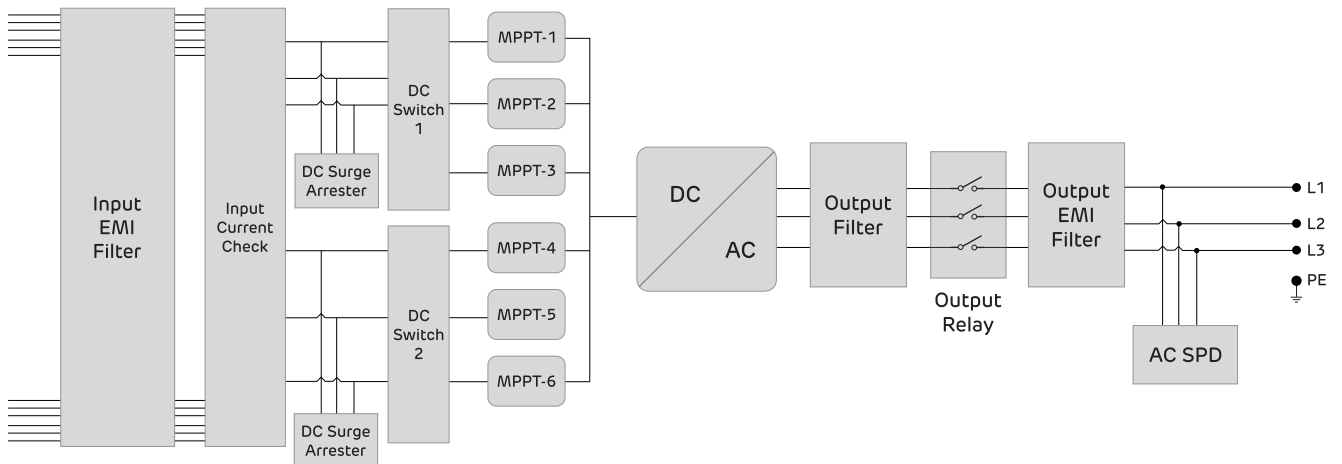
Surge Arresters
for DC & AC



MBUS
Supported



Topology



Wattox 330 KTL-H1

Technical Specification

Efficiency

Maximum Efficiency	99.03%
European Efficiency	98.8%

Input

Maximum Input Voltage	1,500 V
Number of MPPT	6
Maximum Current per MPPT	65 A
Maximum Short Circuit Current per MPPT	115 A
Maximum PV Inputs per MPPT	4/5/5/4/5/5
Start Voltage	550 V
MPPT Operating Voltage Range	500 V ~ 1,500 V
Nominal Input Voltage	1,080 V

Output

Nominal AC Active Power	300 kW
Maximum AC Apparent Power	330 kVA
Maximum AC Active Power ($\cos \varphi = 1$)	330 kW
Nominal Output Voltage	800 V, 3W + PE
Rated AC Grid Frequency	50 Hz / 60 Hz
Nominal Output Current	216.6 A
Maximum Output Current	238.2 A
Adjustable Power Factor Range	0.8 LG ... 0.8 LD
Total Harmonic Distortion	THDi < 1% (Rated)

Protection

Residual Current Detection Unit	Yes
Smart String Level Disconnection (SSLD)	Yes
Smart Connector Level Detection (SCLD)	Yes
AC Overcurrent Protection and DC Reverse-Polarity Protection	Yes
DC Surge Arrester and AC Surge Arrester	Type II
PV Array String Fault Detection and DC Insulation Resistance Detection	Yes

Communication

Display	LED Indicators, USB + APP
USB, MBUS ve RS485	Yes

General

Dimensions (W x H x D)	1,048 x 732 x 395 mm
Weight (with mounting plate)	≤ 112 kg
Operating Temperature Range	-30°C ~ 60°C
Cooling Method	Smart Air Cooling
Maximum Operating Altitude without Derating	4,000 m
Relative Humidity	0 ~ %100 (Non-Condensing)
DC Connector	HH4SFD4TMS / HH4SMD4TMS
AC Connector	Support OT / DT Terminal (Max. 400 mm ²)
Protection Degree	IP66
Anti-corrosion Protection	C5-Medium
Topology	Transformerless

Standards Compliance

Certificates	IEC 62109-1/-2, IEC 62920, IEC 60947-2, EN 50549-2, IEC 61683, etc.
--------------	---

