



AROMA EXTRACT
laboratories

FOOD SUPPLEMENT
2026



AEL specialize since 2020 in the development of multigenic dietary supplements, including capsules, tablets, effervescent forms, powders, and more. Our expertise covers both formulation and manufacturing, ensuring high quality, effective, and innovative health solutions tailored to our clients' needs.

Our in-house R&D laboratory

plays a key role in our value chain. It allows us to develop new natural raw materials, evaluate and qualify sourced ingredients using advanced analytical technologies, and create custom dietary supplement prototypes for our clients. This capability ensures speed, reliability, and innovation at every stage of product development.



Development of taylormade products for our clients

Our key strengths include commercial responsiveness, deep expertise in product formulation, raw materials, and regulatory affairs, short production lead times (as fast as 2 months), and consistently high product quality.

Blisters



Jars

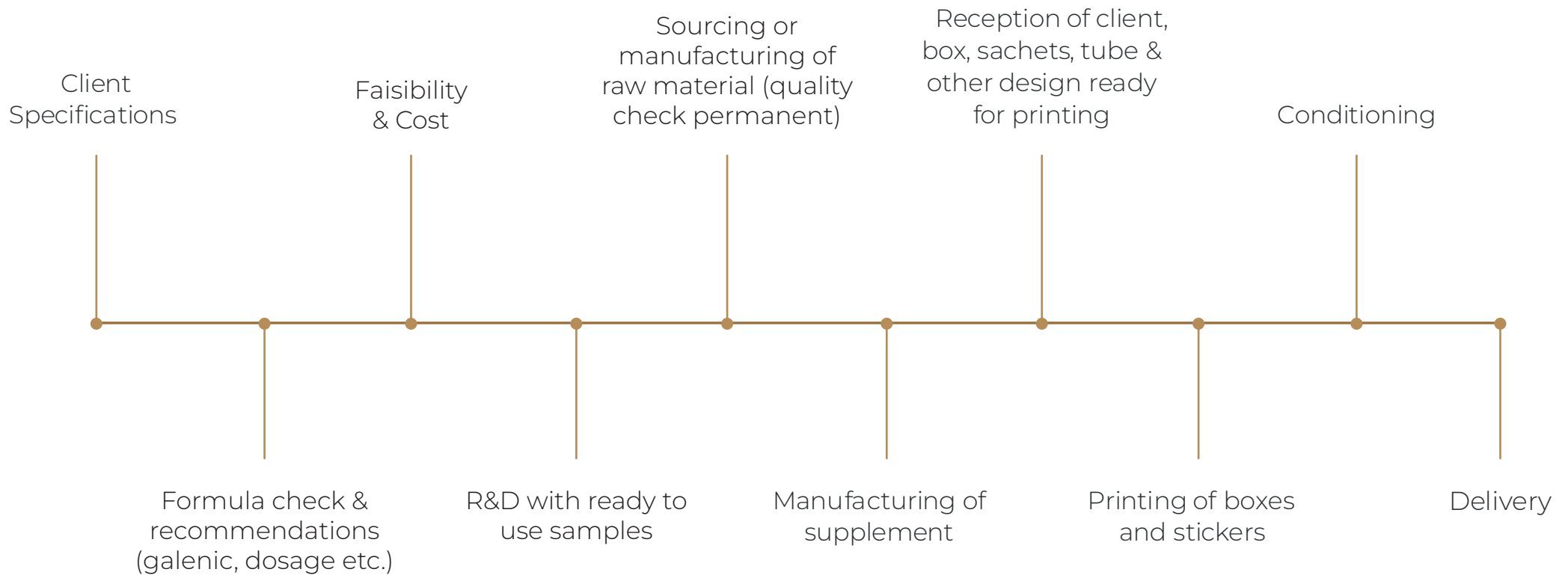


Effervescent tubes

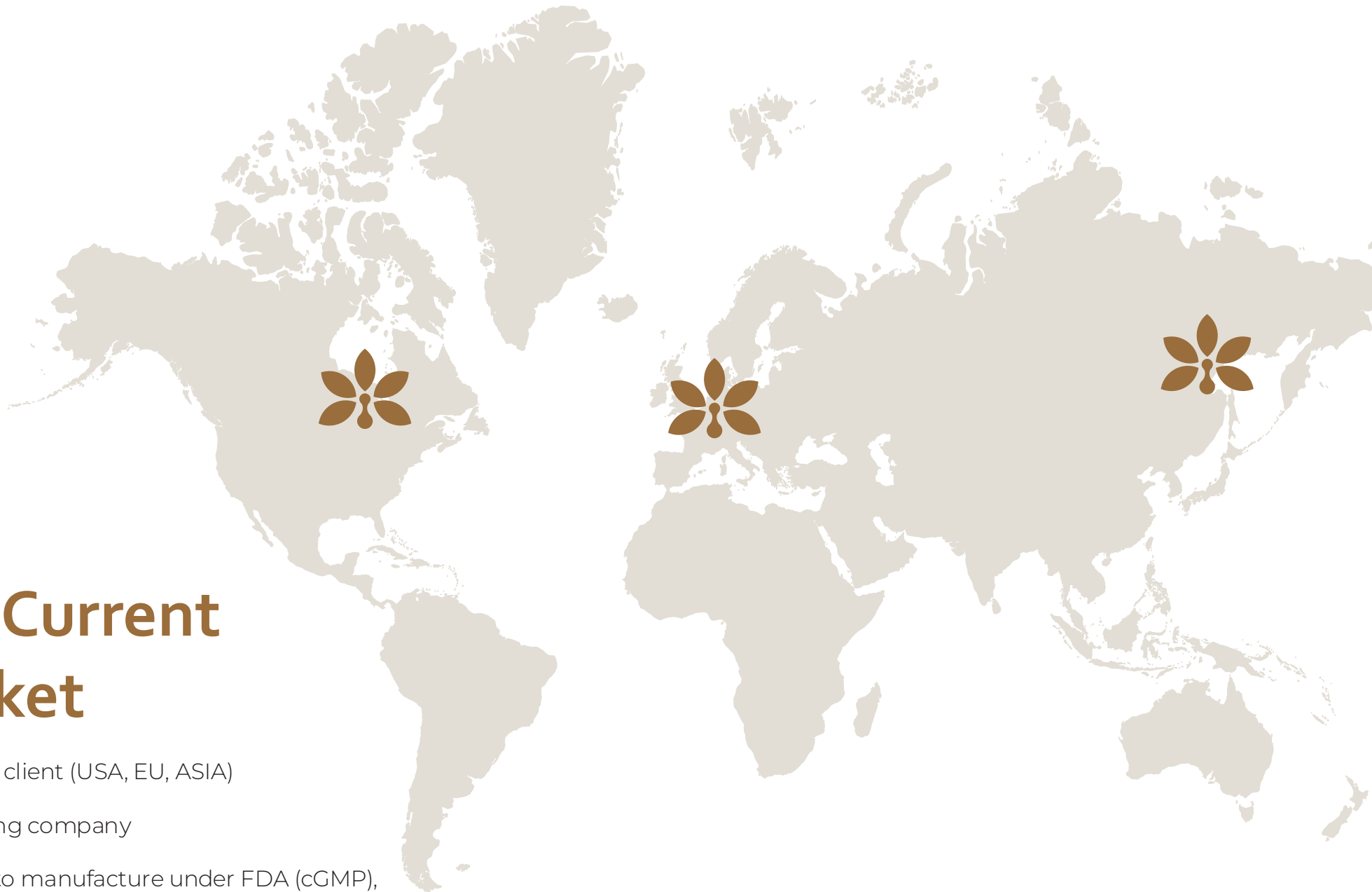




Full control of supply chain & manufacturing



We also help with worldwide regulatory support if needed.



Our Current Market

Worldwide client (USA, EU, ASIA)

Fast growing company

Possibility to manufacture under FDA (cGMP), HACCP, GMP pharmaceutical standard

Flexibility to tailor solutions to any client requirement

Our Catalogue



	Blisters	7
01	Product type	8
	Format 1-2	9
	Format 3	10
	Format 4	11
	Format 4/5	12
	Format 5	13
	Format 5/6	14
	Sachets, Doypacks	15
02	Sachets	16
	Doypacks	18
	Capsules, Tablets	19
03	Shapes and dimensions	20
	Pillboxes	25
04	PET	27
	HDPE	29
	Bottles for liquids, shrink sleeve technology	33
05	PET shots and bottles	34
	Shrink sleeve technology	36



Blisters

Shapes
Dimensions
Contents

01

Product type

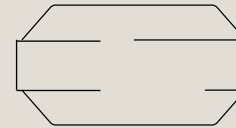
Blister pack for tablets, capsules, lozenges



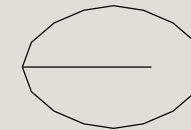
Capsule



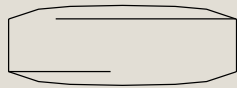
Elongated capsule



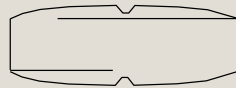
Lozenge



Softgel



Oblong tablet



Breakable oblong
tablet



Lens tablet



Breakable lens

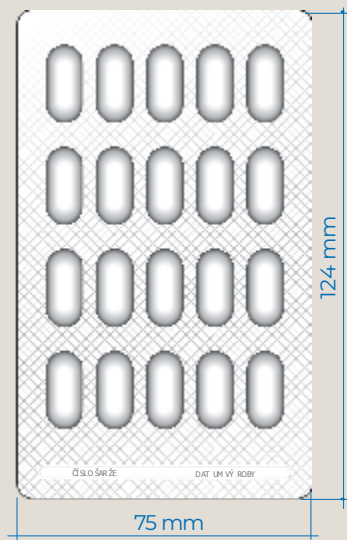
Formats


Blister pack for tablets, capsules, lozenges
Type 1/2



Format 1

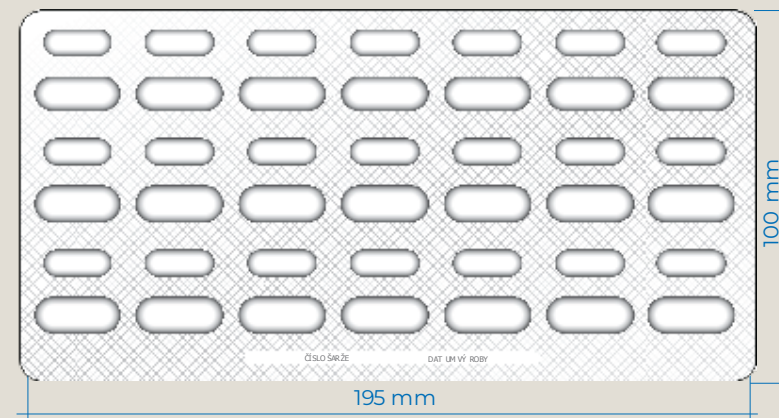
124 × 75 mm
Depth: 7,60 mm
20 pc

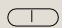


 21,50 × 10,00 mm

Format 2/1

195 × 100 mm
Depth: 7,00 / 8,60 mm
21 pc



 21,70 × 7,65 mm
 15,90 × 5,82 mm

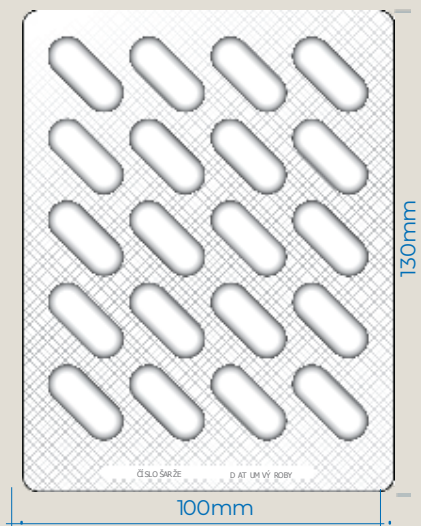
Formats

Blister pack for tablets, capsules, lozenges
Type 3



Format
3/1

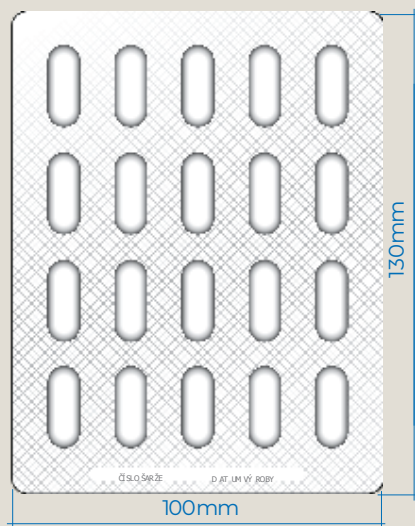
130 × 100 mm
Depth: 8,80 / 11,00 mm
20 pc

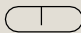


 23,30 x 8,53 mm

Format
3/2

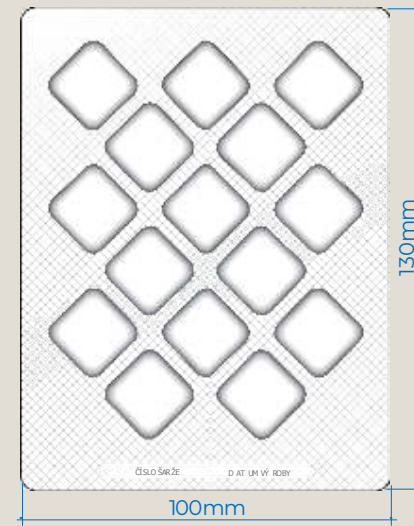
130 × 100 mm
Depth: 9,00 / 9,25 mm
20 pc

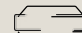


 21,70 x 7,65 mm

Format
3/3

130 × 100 mm
Depth: 10,70 mm
15 pc



 19,3 x 9,9 x 19,3 mm

Formats

Blister pack for tablets, capsules, lozenges
Type 4



Format	Dimensions (mm)	Depth (mm)	Quantity	Diagram	Tablet/Capsule Dimensions (mm)
Format 4/1	110 x 80	9,40	15 pc		14,00 x 10,00
Format 4/2	110 x 80	7,90	15 pc		19,40 x 6,91
Format 4/3	110 x 80	7,90 / 8,20	15 pc		21,70 x 7,65
Format 4/4	110 x 80	12,00	15 pc		13,00 x 18,00 x 12,00
Format 4/5	110 x 80	9,00	20 pc		10,00 x 23,00
Format 4/6	110 x 80	9,55	10 pc		19,20 x 8,00
Format 4/7	100 x 80	8,10	20 pc		19,40 x 6,91
Format 4/8	100 x 80	9,15	15 pc		17,00 x 10,00
Format 4/9	100 x 80	8,20	15 pc		Ø 12,50
Format 4/10	100 x 80	6,70	20 pc		Ø 12,00

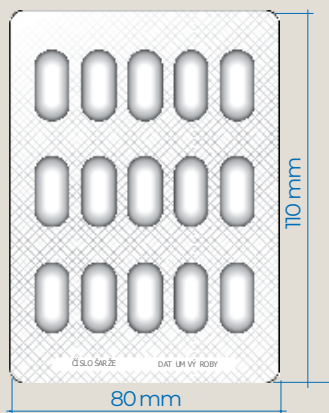
Formats

Blister pack for tablets, capsules, lozenges
Type 4 / 5



Format
4 / 11

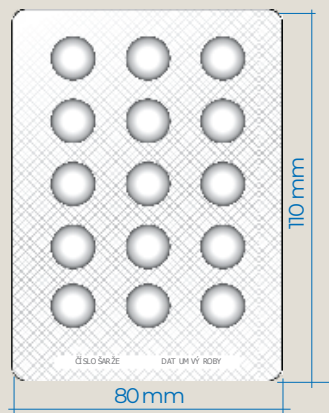
110 × 80 mm
Depth: 8,25 mm
15 pc



19,20 × 8,00 mm

Format
4 / 12

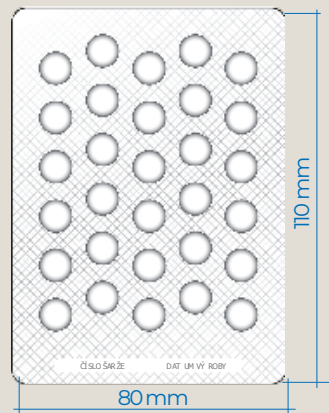
110 × 80 mm
Depth: 6,70 / 8,20 mm
15 pc



∅ 12,00 mm

Format
4 / 13

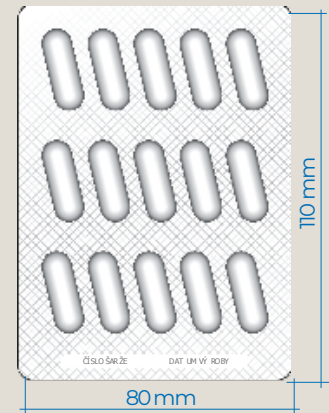
110 × 80 mm
Depth: 5,80 mm
15 pc



∅ 9,00 mm

Format
4 / 14

110 × 80 mm
Depth: 9,90 mm
15 pc



23,30 × 8,53 mm

Format
4 / 15

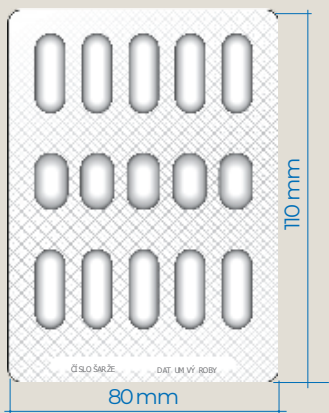
110 × 80 mm
Depth 8,15 mm
20 pc



19,40 × 6,91 mm

Format
4 / 16

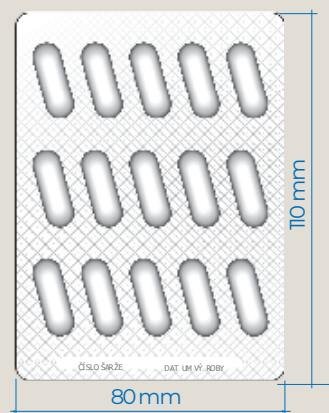
110 × 80 mm
Depth: 9,15 mm
10 / 5 pc



23,30 × 8,53 mm
17,00 × 10,00 mm

Format
4 / 17

100 × 80 mm
Depth: 9,90 mm
15 pc



23,45 × 8,50 mm

Format
4 / 18

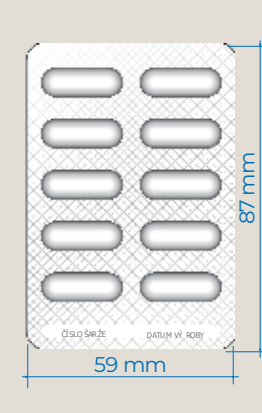
97 × 79 mm
Depth: 7,50 mm
15 pc



16,20 × 9,10 mm

Format
5 / 1

87 × 59 mm
Depth: 9,90 mm
10 pc



23,30 × 8,53 mm

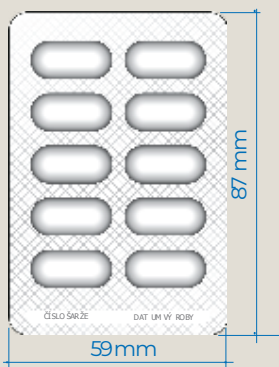
Formats

Blister pack for tablets, capsules, lozenges
Type 5



Format
5/2

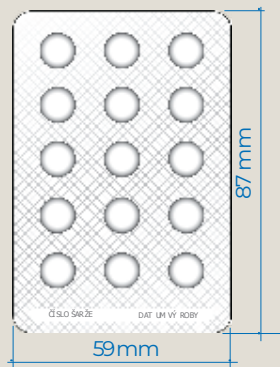
87 × 59 mm
Depth: 9,90 mm
10 pc



21,20 × 8,00 mm

Format
5/3

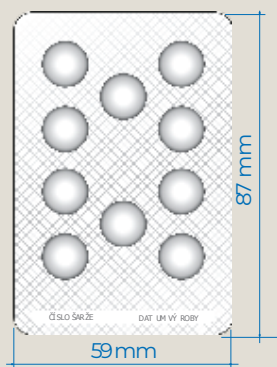
87 × 59 mm
Depth: 5,50 mm
15 pc



∅ 9,00 mm

Format
5/4

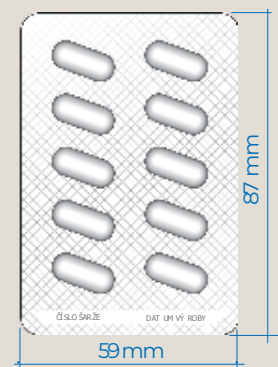
87 × 59 mm
Depth: 6,60 mm
10 pc



∅ 12,00 mm

Format
5/5

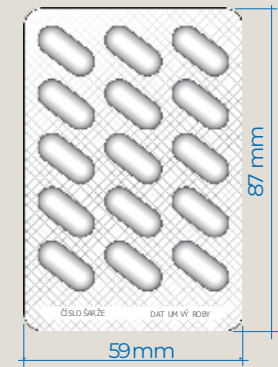
87 × 59 mm
Depth: 7,04 mm
10 pc



15,90 × 5,82 mm

Format
5/6

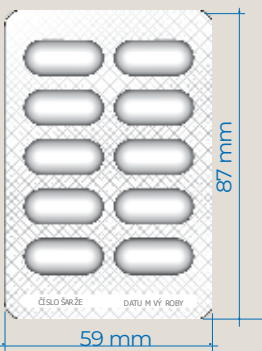
87 × 59 mm
Depth: 6,87 mm
15 pc



15,90 × 5,82 mm

Format
5/7

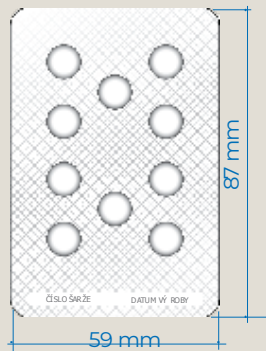
87 × 59 mm
Depth: 7,5 / 8,05 mm
10 pc



21,70 × 7,65 mm

Format
5/8

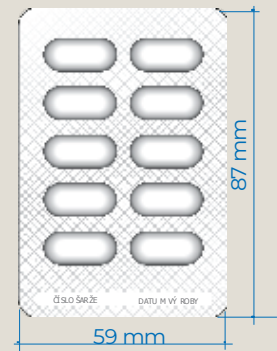
87 × 59 mm
Depth: 6,04 mm
15 pc



∅ 9,00 mm

Format
5/9

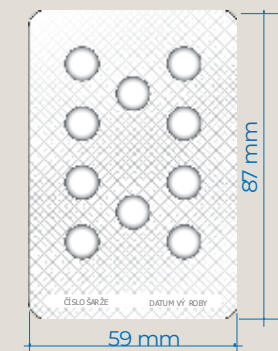
87 × 59 mm
Depth: 9,30 mm
10 pc



21,20 × 8,00 mm

Format
5/10

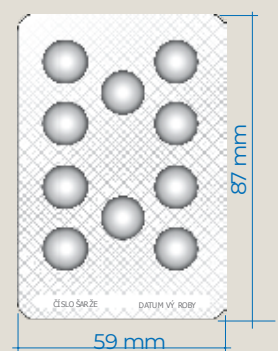
87 × 59 mm
Depth: 6,28 mm
10 pc



∅ 9,00 mm

Format
5/11

87 × 59 mm
Depth: 7,95 mm
15 pc



∅ 12,00 mm

Formats

Blister pack for tablets, capsules, lozenges
Type 5 / 6



Format 5/12 87 × 59 mm
Depth: 7,50/9,35/9,70 mm
10 pc

87 mm
59 mm
19,20 x 8,00 mm

Format 5/13 87 × 59 mm
Depth: 9,40 mm
10 pc

87 mm
59 mm
Ø 12,00 mm

Format 5/14 87 × 59 mm
Depth: 10,00 mm
8 pc

87 mm
59 mm
21,20 x 8,00 mm

Format 5/15 87 × 59 mm
Depth: 6,50 / 6,15 mm
4/2 pc

87 mm
59 mm
15,90 x 5,82 mm
Ø 4,80 mm

Format 5/16 87 × 59 mm
Depth: 9,25 mm
4 pc

87 mm
59 mm
23,30 x 8,53 mm

Format 6/1 92 × 38 mm
Depth: 8,00 mm
4 pc

92 mm
38 mm
23,30 x 8,53 mm

Format 6/2 92 × 38 mm
Depth: 6,86 mm
10 pc

92 mm
38 mm
Ø 12,00 mm

Format 6/3 92 × 38 mm
Depth: 6,50 mm
10 pc

92 mm
38 mm
Ø 9,00 mm

Format 6/4 92 × 38 mm
Depth: 6,06 mm
10 pc

92 mm
38 mm
Ø 9,00 mm

Format 6/6 92 × 38 mm
Depth: 8,00 mm
4 pc

92 mm
38 mm
21,70 x 7,65 mm



Sachets & Doypacks

Shapes
Dimensions
Contents

02

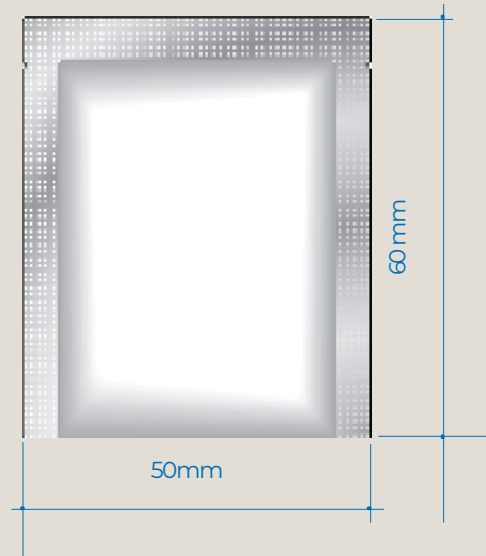
Sachets

Type 1



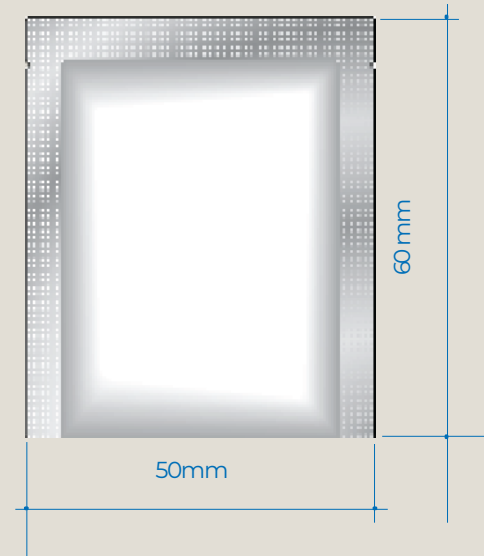
Sachet
1

min 50 × 60 mm
3 × side welds



Sachet
1

min 50 × 60 mm
4 × side welds



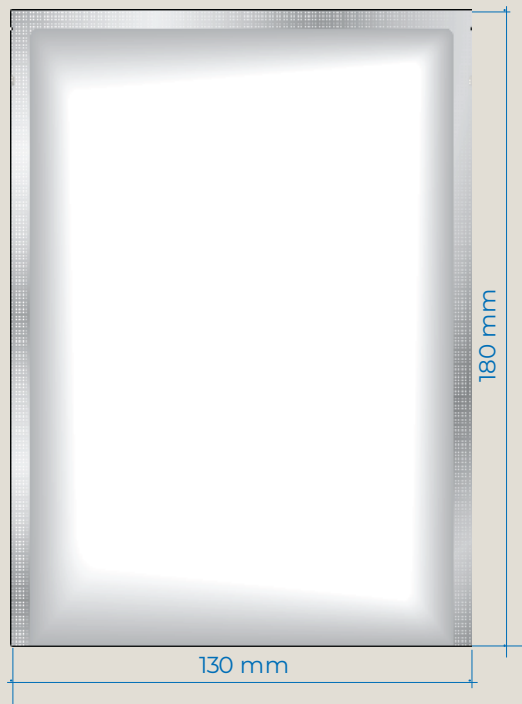
Sachets

Type 2



Sachet
2

max 130 × 180 mm
3 × side welds



Sachet
2

max 130 × 180 mm
4 × side welds



Doypacks

Type 1



Doypack
1

130 × 180 mm



Doypack
2

400 × 600 mm



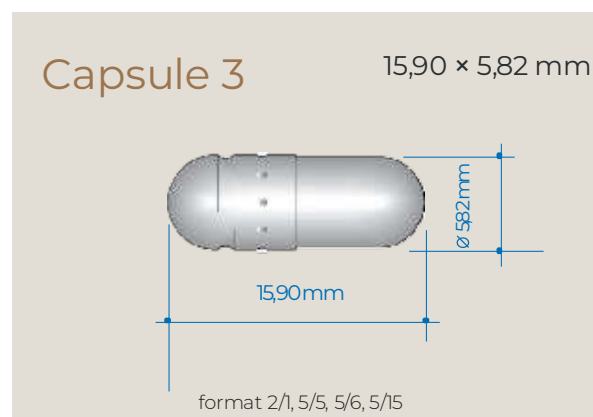
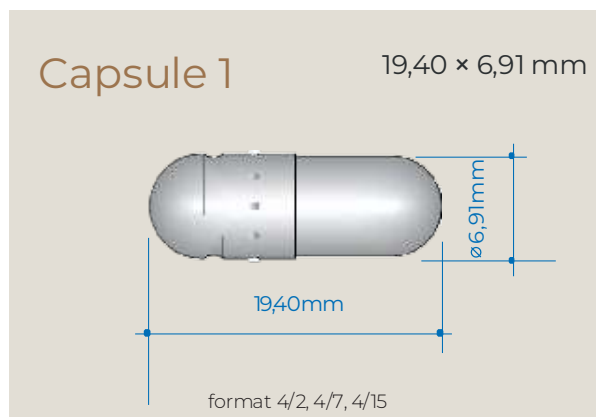
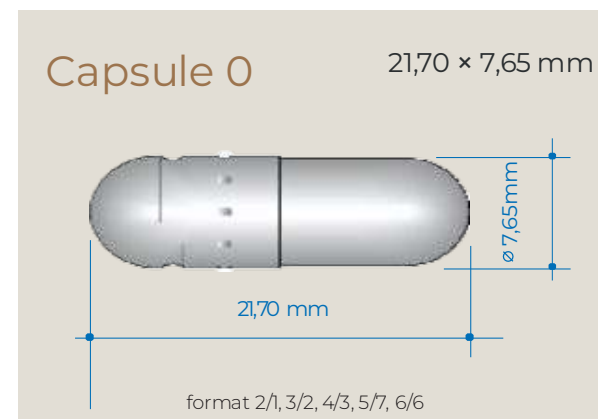
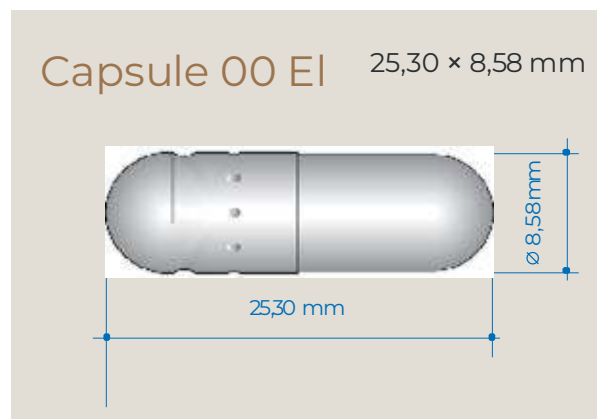
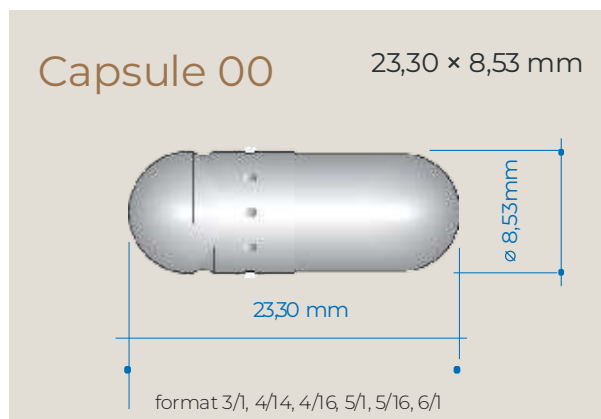


Capsules & Tablets

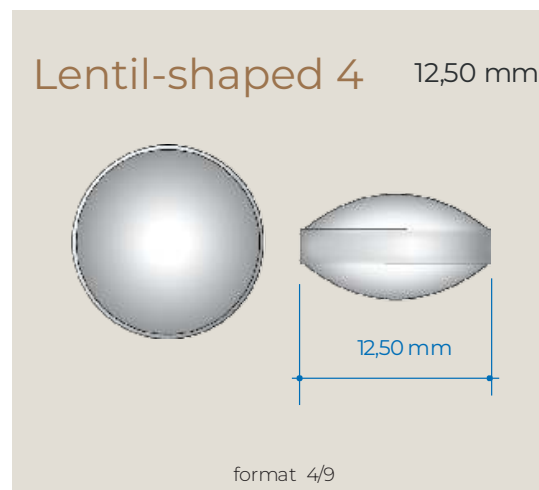
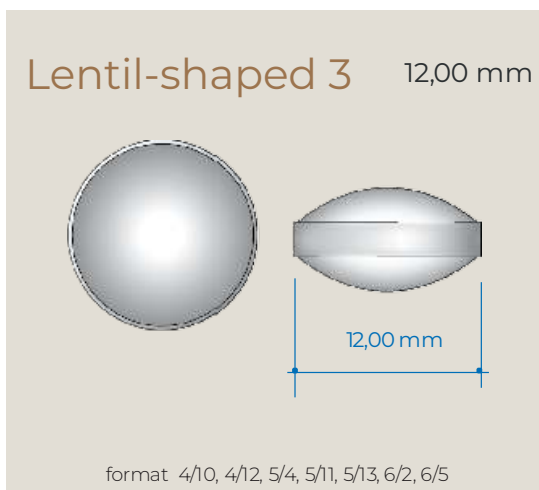
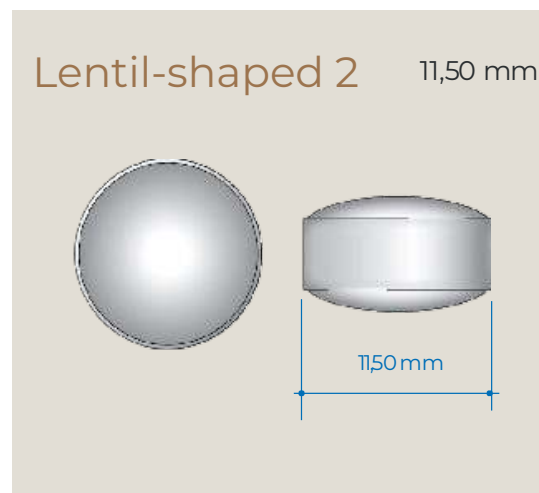
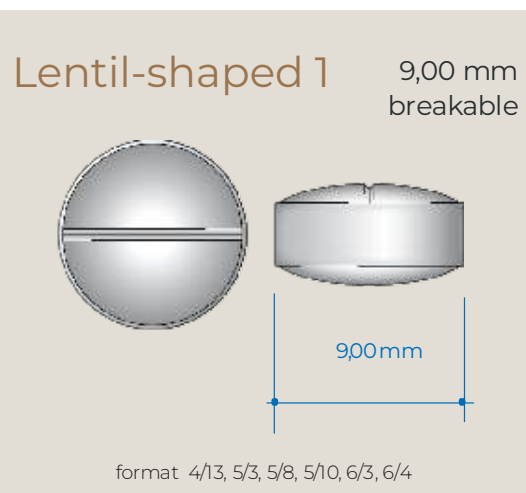
Shapes
Dimensions

03

Capsules



Lentil-shaped Tablets

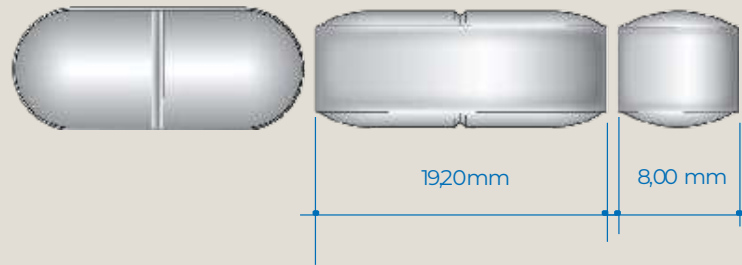


Oblong Tablets



Oblong 1

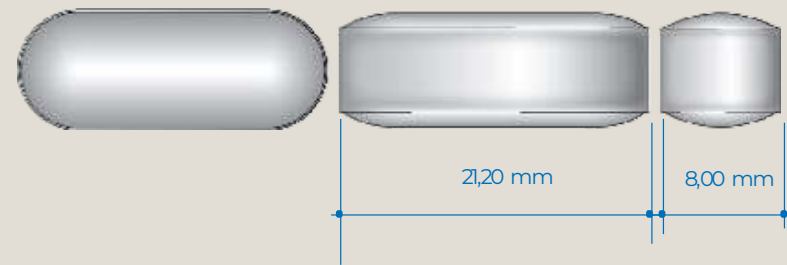
19,20 × 8,00 mm
breakable



format 4/6, 4/11, 5/12

Oblong 2

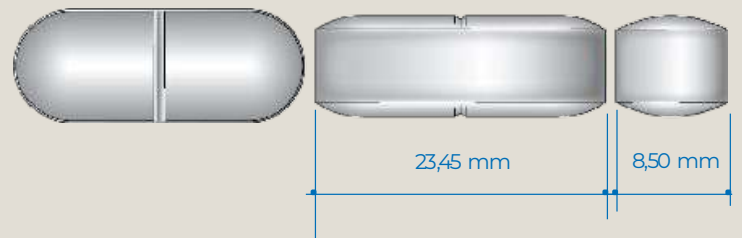
21,20 × 8,00 mm



format 5/2, 5/9, 5/14

Oblong 3

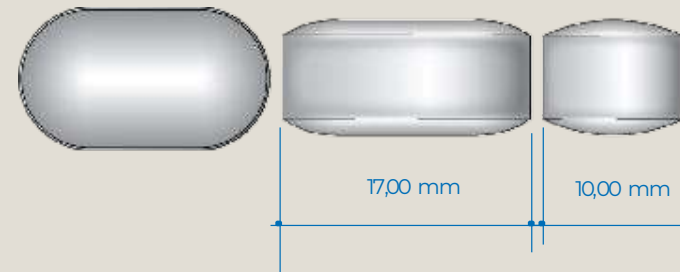
23,45 × 8,50 mm
breakable



format 4/17

Oblong 4

17,00 × 10,00 mm



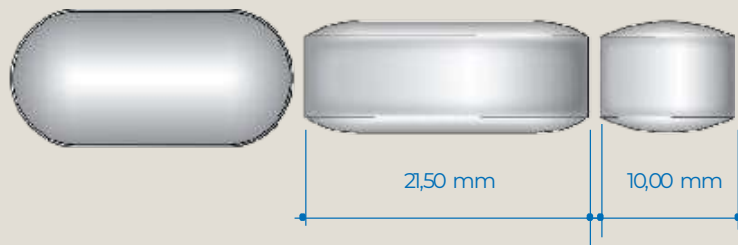
format 4/16

Oblong / Oval Tablets



Oblong 5

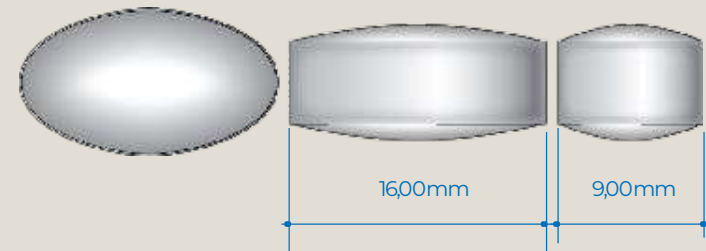
21,50 × 10,00 mm



format 1/1

Oval 1

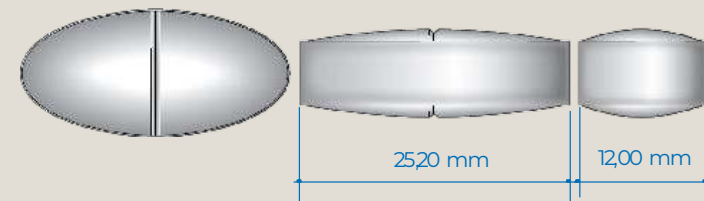
16,00 × 9,00 mm



format 4/17

Oval 2

25,20 × 12,00 mm
breakable



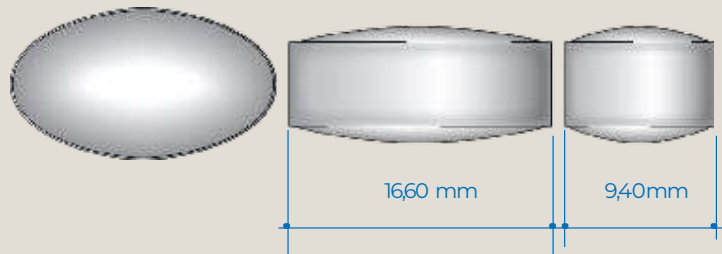
format 4/16

Oval / Faceted Tablets



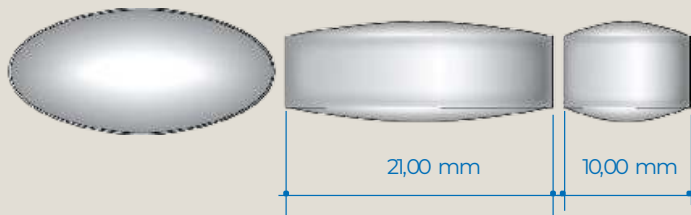
Oval 3

16,60 × 9,40 mm



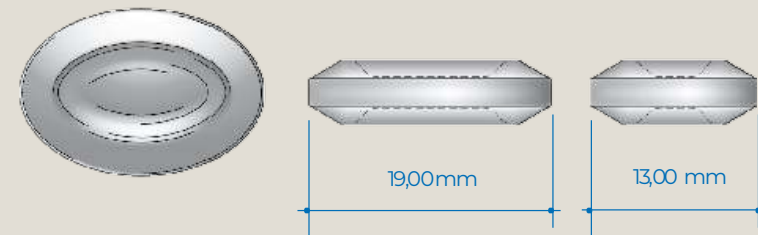
Oval 4

21,00 × 10,00 mm



Faceted

19,00 × 13,00 mm





Pillboxes

Shapes
Most Common Sizes
(non-exhaustive list)

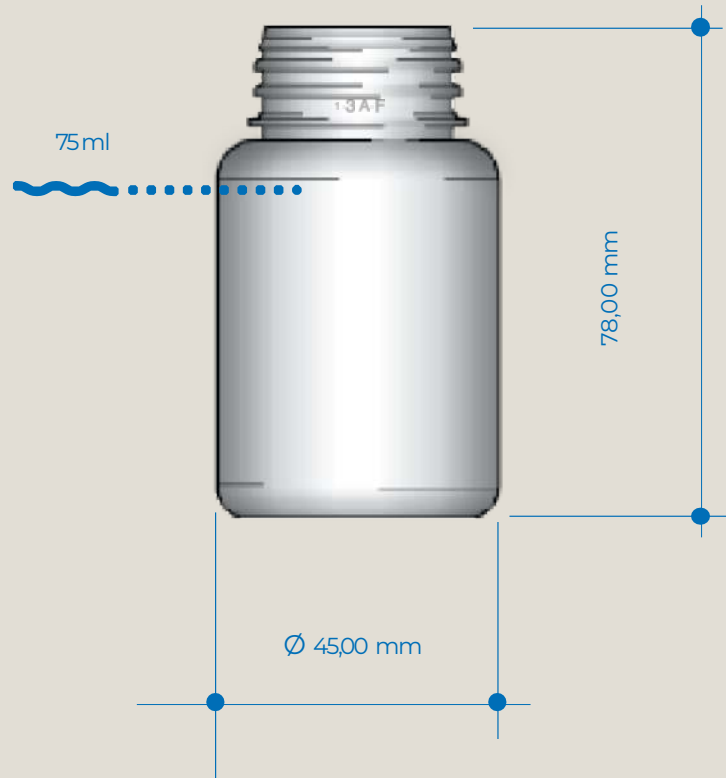
04

Piluliers



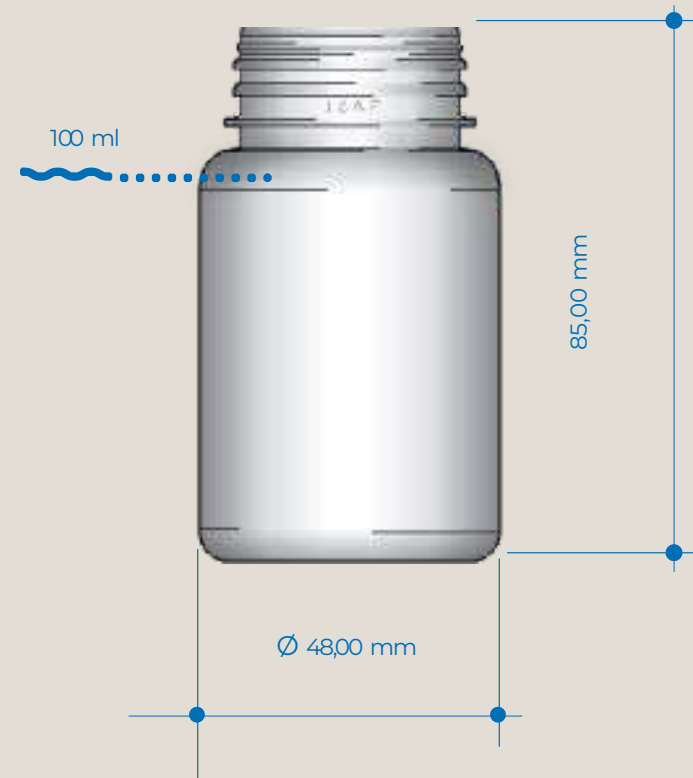
Volume
75 ml

Ø 45,00 × 78,00 mm



Volume
100 ml

Ø 48,00 × 85,00 mm

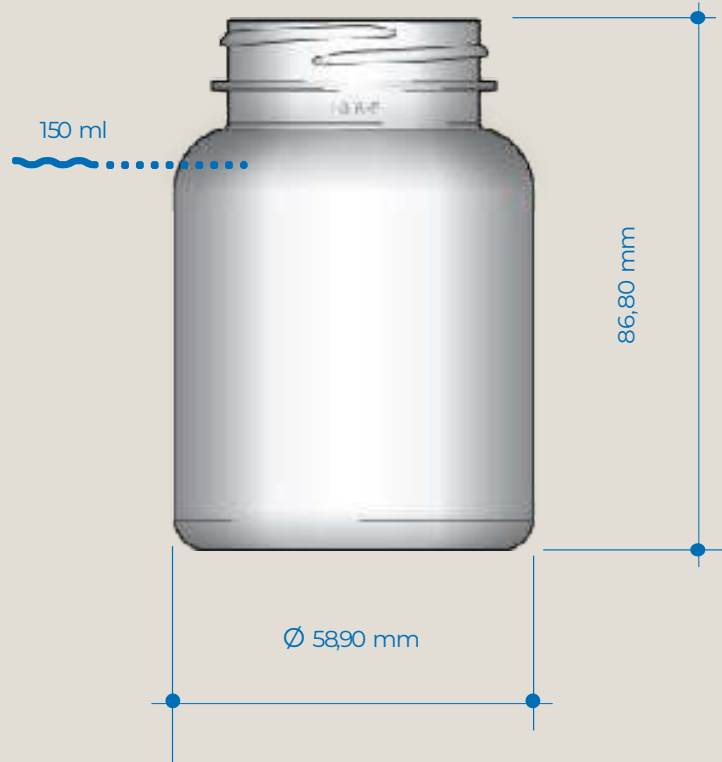


PET



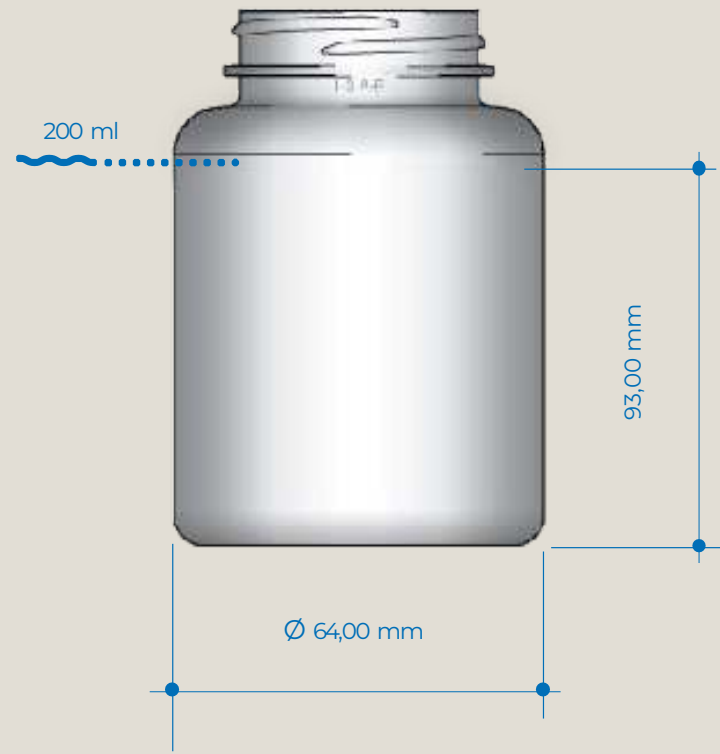
150 ml

Ø 58,90 × 86,80 mm



200 ml

Ø 64,00 × 93,00 mm

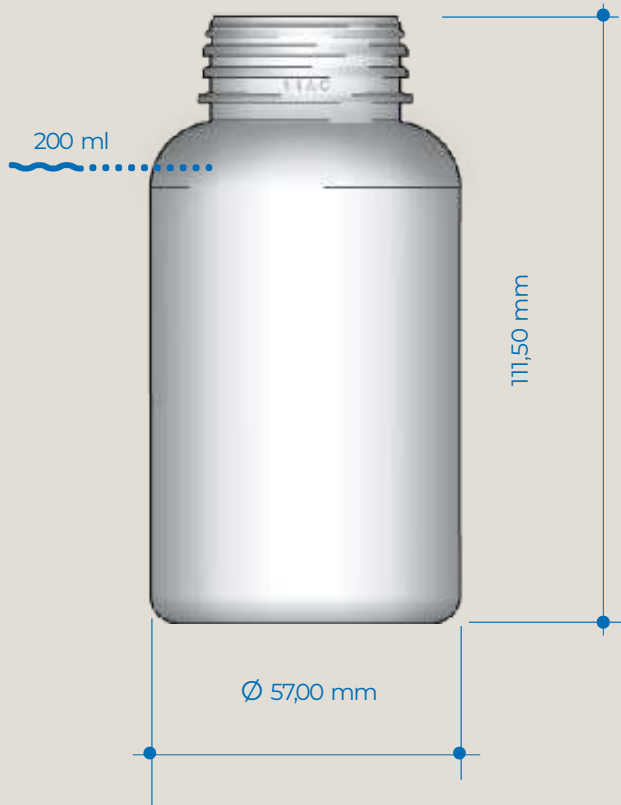


PET



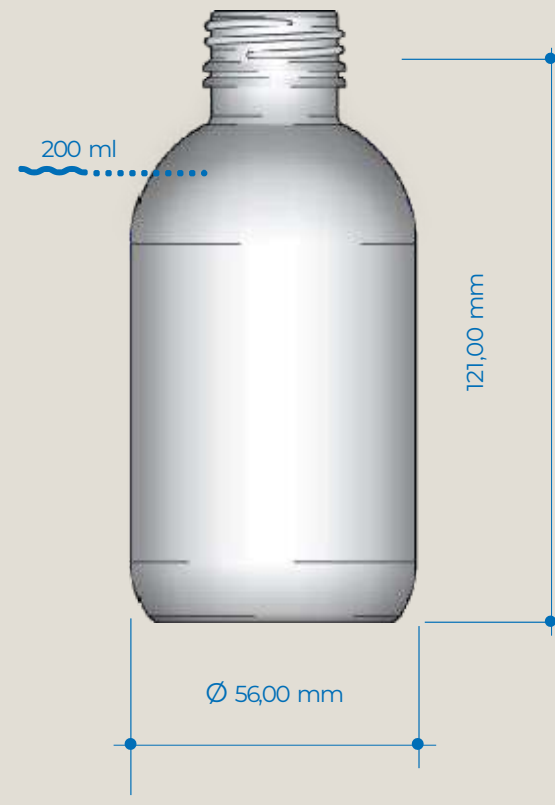
200 ml

Ø 57,00 × 111,50 mm



200 ml

Ø 56,00 × 121,00 mm

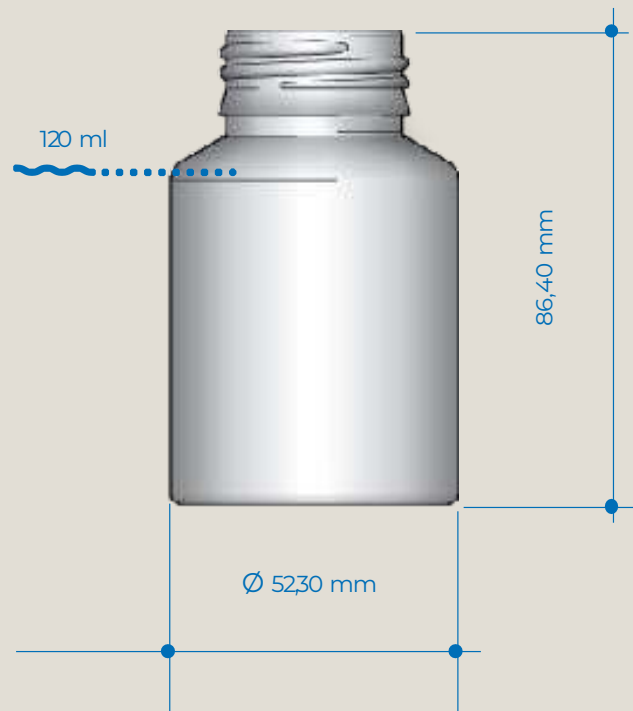


HDPE



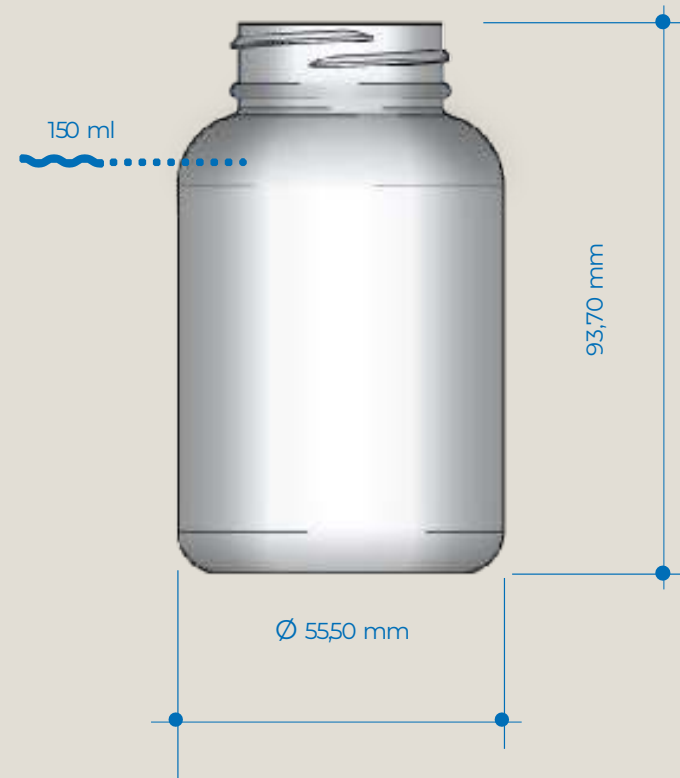
120 ml

Ø 52,30 × 86,40 mm



150 ml

Ø 55,50 × 93,70 mm



HDPE



250 ml

Ø 66,70 × 103,60 mm



300 ml

Ø 66,70 × 120,70 mm

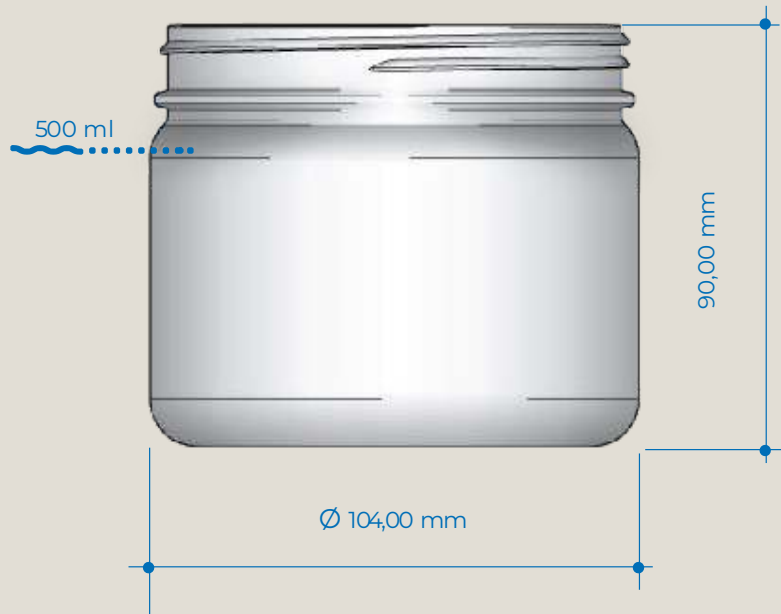


HDPE



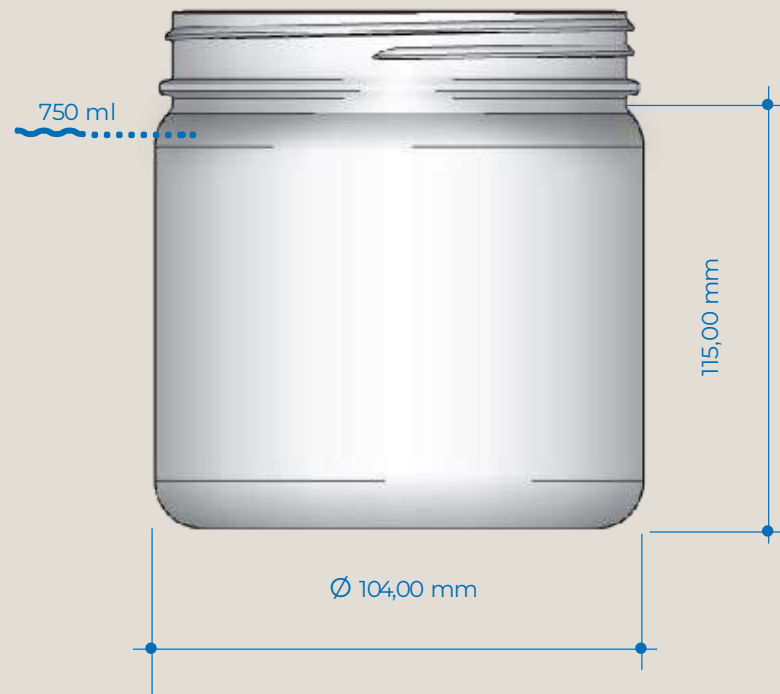
500 ml

Ø 104,00 × 90,00 mm



750 ml

Ø 104,00 × 115,00 mm

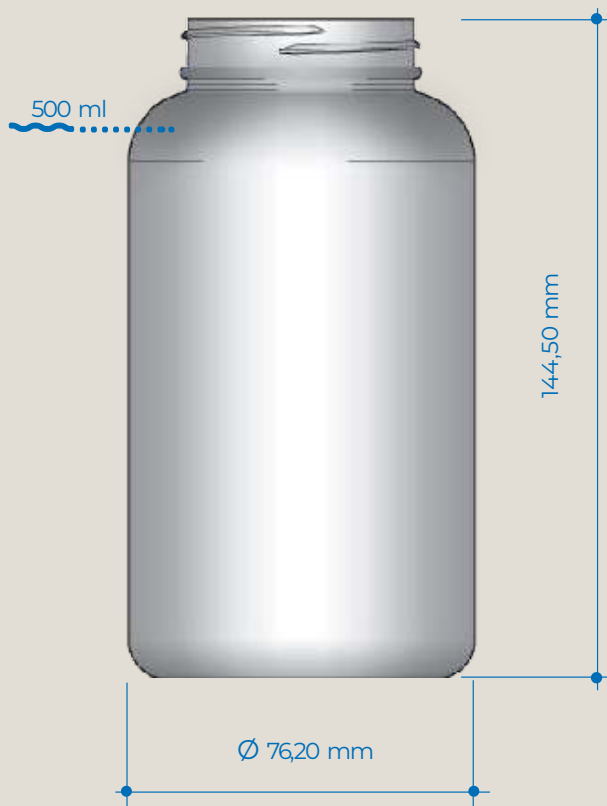


HDPE



500 ml

Ø 76,20 × 144,50 mm



750 ml

Ø 85,70 × 171,80 mm





Shot & bottles Technology Shrink Sleeve

Shapes
Most Common Sizes
(non-exhaustive list)

05

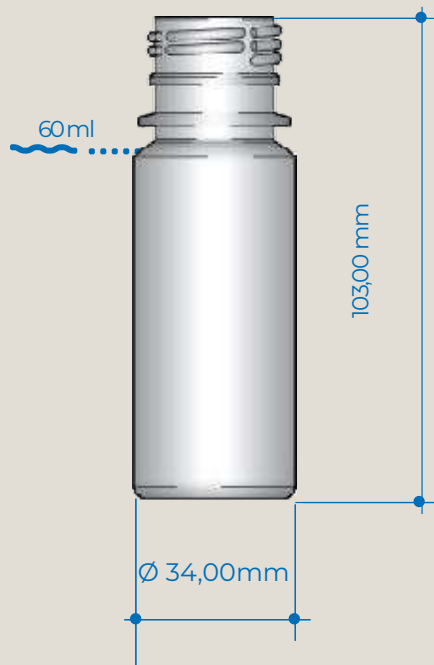
Shots & Bottles

PET / Glass



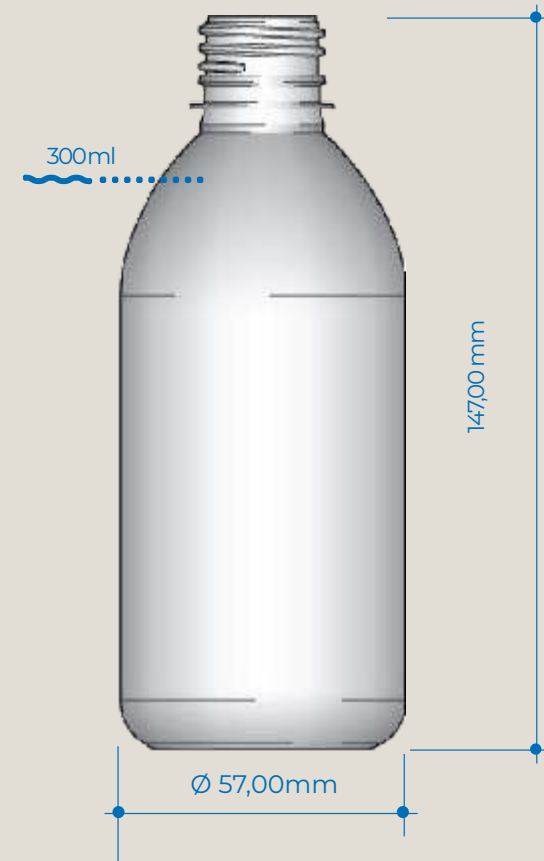
Shot 60 ml

Ø 34,00 × 103,00 mm



Bottle 300ml

Ø 57,00 × 147,00 mm



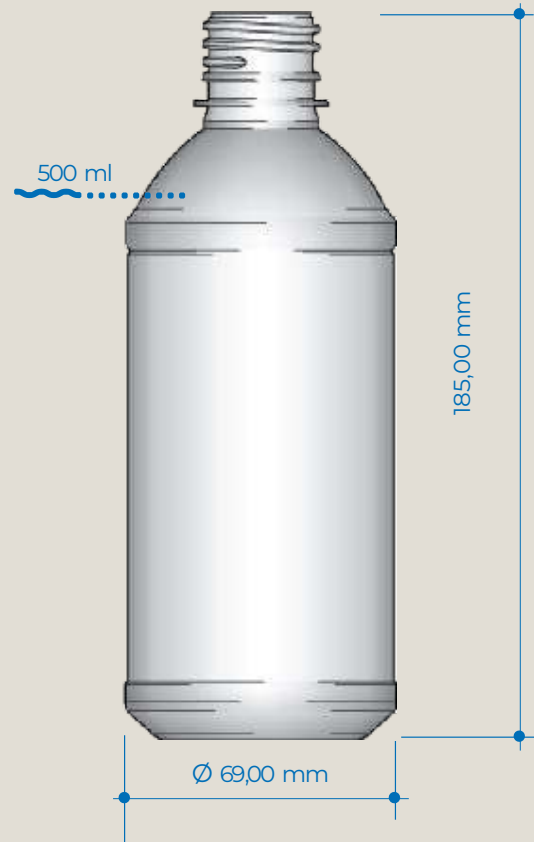
Bottles

PET



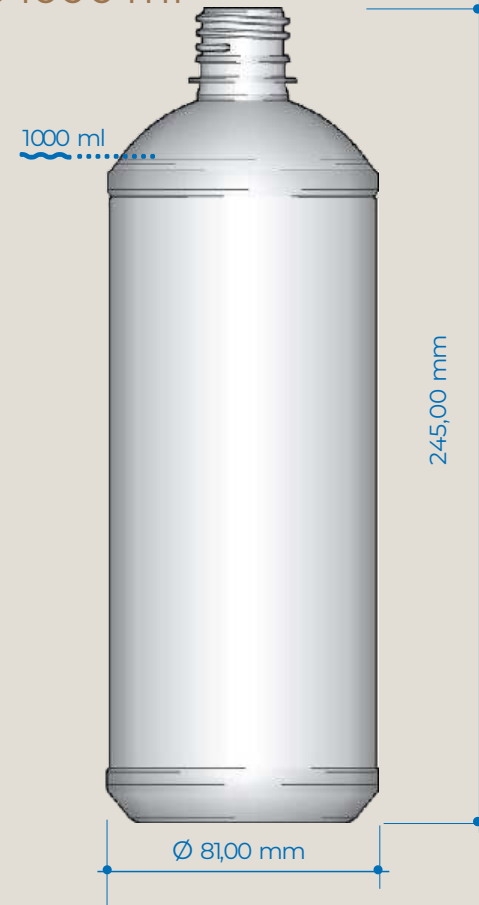
Bottle 500 ml

Ø 69,00 × 185,00 mm



Bottle 1000 ml

Ø 81,00 × 245,00 mm



Shrink Sleeve Technology

Shrink sleeve – Shrink sleeve label



Shrink
Sleeve

PET i HDPE
bottle



Shrink
Sleeve

PET i HDPE
shot





AROMA EXTRACT

laboratories

www.aroma-extract.com

pev@aroma-extract.com

+33 6 01 45 99 34 / +420 777 767 278



AROMA EXTRACT

laboratories