

### PRIOR TO INSTALL

**Warning:** Do not install pole without the IPL.

Ensure install location has a minimum of 2 to 3 hours of direct midday sun exposure for best performance. Install footing and pole as per specifications. Please handle fixture with care as scratches will affect appearance and powder coat durability.



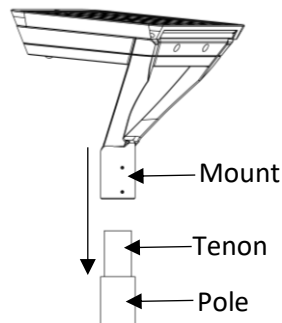
### TOOLS REQUIRED

- 1/8 inch hex key
- Torque wrench (optional)

### TO INSTALL

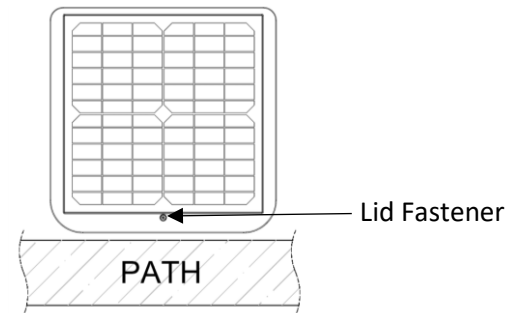
#### 1. UNPACK AND MOUNT ON POLE.

Remove light from box and place on top of the pole, sliding the mount over the tenon.



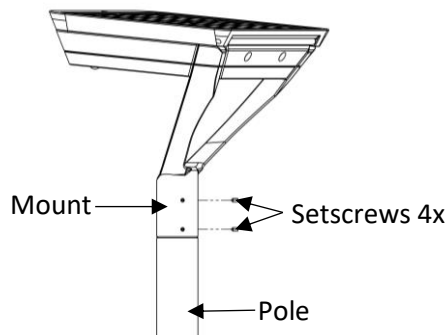
#### 2. ORIENT TO PATH.

Orient the light with respect to the path as shown.



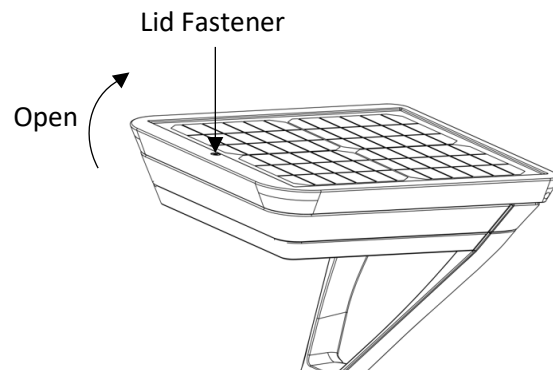
#### 3. TIGHTEN SCREWS.

Tighten 4 setscrews with 1/8" hex to snug (65 in-lb if using a torque wrench).

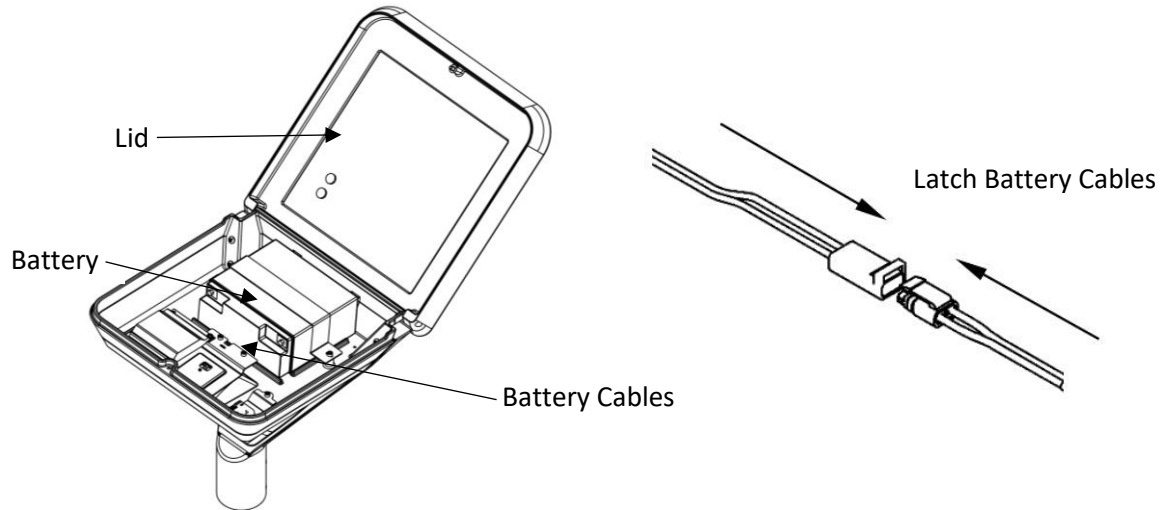


#### 4. OPEN LID.

Loosen lid fastener with 1/8" hex and open lid.



- 5. REMOVE PACKAGING AND CONNECT BATTERY.** Remove packaging material from interior of light and connect the battery cables, **ensuring to latch the connectors.**



- 6. CONFIRM LIGHT TURNS ON FOR 20-30 SECONDS.** After being properly connected, there will be a brief pause and then the light will turn on for 20-30 seconds. The light will then return to its normal operating profile. If this does not happen, please call us at 1-844-279-8754 for assistance.

- 7. CLOSE LID.** Close lid and re-tighten fastener.

- 8. INSTALL COMPLETE.**